

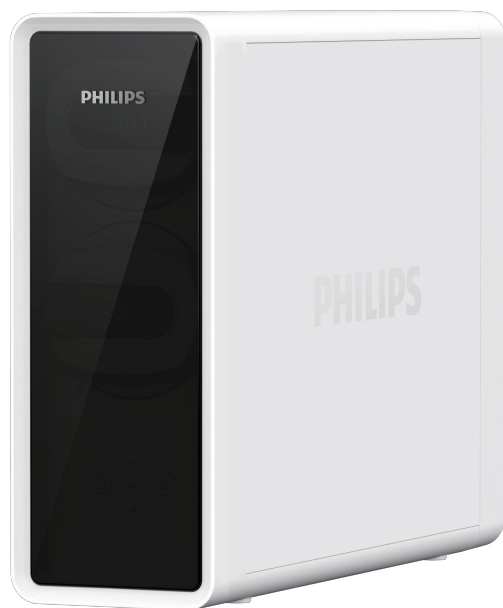
PHILIPS

Water Solutions

Under-the-sink filtration

AUT4030R400

AUT4030R600



EN	User manual	1
FR	Manuel d'utilisation	39
RU	Руководство пользователя	77
EL	Εγχειρίδιο χρήσης	115
PL	Instrukcja obsługi	153

ES	Manual del usuario	20
IT	Manuale utente	58
CS	Návod k použití	96
PT	Manual do utilizador	134

Content

I. Product Introduction	1	VI. Maintenance	13
II. Product Specifications	2	Routine maintenance	13
III. Product overview and installation illustration	3	Filter lifetime	13
IV. Installation	4	Filter cartridge replacement	14
Preparations before installation	5	VII. Precautions	15
Installing the three-way ball valve	5	Warning	15
Installing the faucet	7	VIII. Troubleshooting	16
Installing the system	7	IX. Guarantee & Service	17
V. Using the system	10	X. Packing list	18
Before the first-time use	10		
User interface	11		



Installation

I. Product Introduction

Congratulations on your purchase and welcome to Philips! Our reverse osmosis under-the-sink water filtration system is not only with high filtration flow rate, which ensure every drop of water is freshly filtered, but also has an ultra-compact & tankless design, which can save a lot of kitchen space. The reverse osmosis membrane has a deep filtration level down to 0.0001 micron, which effectively removes viruses, bacteria, heavy metals, pesticides, water hardness, volatile organic compounds, chlorine, and more, giving you great tasting water.*


Read this user manual carefully before you use the appliance. Save it for future reference.

Note:

The water supplied by reverse osmosis systems has low mineral content. The mineral salts required by the human body are provided by food and to a lesser extent by the water we drink.

* The substances removed or reduced by this system are not necessarily in all user's water.

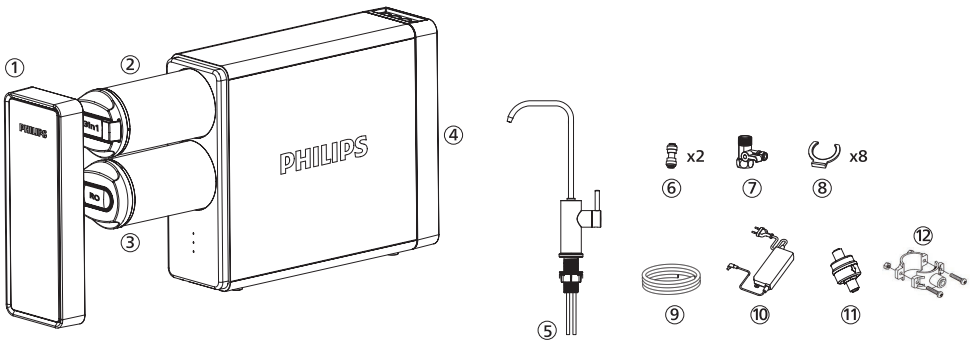
II. Product Specification

Product name	Philips reverse osmosis under-the-sink water filtration system	
Product model	AUT4030R400	AUT4030R600
Filtered water flow rate	2 liters/minute	
RO filtered water flow rate	1.05 liters/minute	1.57 liters/minute
Filtration capacity	3in1 filter: 6,000 liters RO filter: 11,000 liters	
Inlet water pressure	0.1-0.4 MPa**	
Inlet water temperature	5°C - 38°C	
Rated voltage	24V 	
Rated power	55W	70W
Maximum inlet water TDS	1500 ppm***	
Maximum inlet water hardness	15 °fH***	
Net weight	6.8 kg	7.2 kg
Dimensions	390*114*303.5mm	
Applicable water source	Municipal tap water, which meets all European Directive on Water for Human Consumption 98/83 requirements and its national transpositions in the various EU member states.	

** When the inlet water pressure exceeds 0.4 MPa, a pressure relief valve should be installed before the system. When the inlet water pressure is below 0.1 MPa, a pressure booster should be installed before the system. The pressure relief valve is included in the accessories bag and the pressure booster needs to be purchased separately.

*** If the salinity of inlet water exceeds 1500 ppm, or the hardness exceeds 15 °fH, the lifetime of the filters may be impacted. Please consult with your dealer about installing prefilters before the system.

III. Product overview and installation illustration



① Front cover

② 3in1 filter

③ RO filter

④ Main unit

⑤ Faucet

⑥ Quick connector

⑦ Three-way ball valve

⑧ Quick connector clip

⑨ 1/4'' PE pipe (white)

⑩ Power adaptor

⑪ Pressure relief valve

⑫ Drain connector

IV. Installation

Note:

- Before installation, it is important to check the condition of the system to make sure it has not been damaged during transport.
- Unpack the system and its accessories. Remove the protective packaging material. Recyclable materials have been used for the packaging and should be disposed of in the appropriate recycling bins or at the specific local recycling center.

Warning: Keep plastic bags out of the reach of children, as they may be dangerous.

- Check if anything is missing according to the packing list and the overview.
- Given that the system will improve the quality of your drinking water, all tools to be used in the installation process should be clean, rust and grease-free.
- The installation process should be carried out under appropriate hygienic conditions, taking all necessary precautions concerning materials and components that will come into contact with water to be treated or consumed.
- Avoid external contamination of the system through improper handling, using gloves, sanitizing gel, and washing hands as often as is necessary during the installation process, first use, and system maintenance.
- The system and installation shall comply with applicable local regulations.
- This product cannot be disposed of with other domestic waste products.

At the end of the product's service life, it should be returned to the place of purchase, or at a local recycling center, indicating that it contains electric and electronic components. The appropriate collection and treatment of the product, which no longer are to be used, contributes to the preservation of natural resources and avoids any potential public health risks.



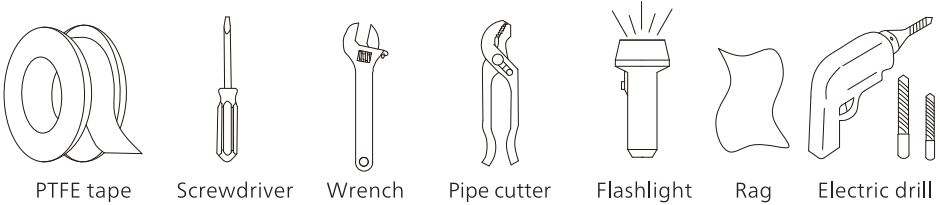
1. Preparations before installation

Choose a suitable position to install the system;

Make sure there is power socket near the installation position;

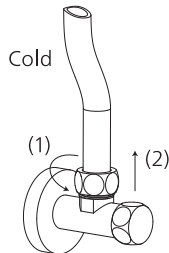
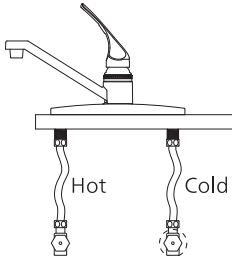
Check the packing list and make sure you have all the accessories on the list;

Prepare necessary tools for installation:

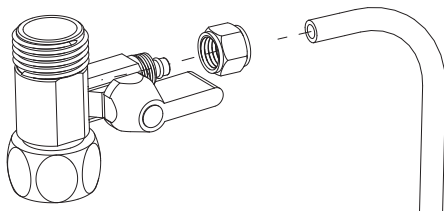


2. Installing the three-way ball valve

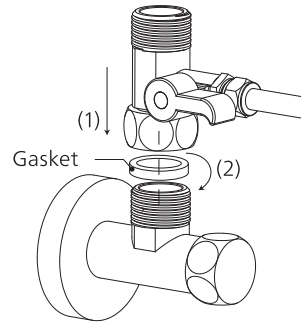
- a. Turn off the cold water supply. Turn on the kitchen cold water faucet to release the pressure and allow water to drain from the line. Disconnect the cold water hose from the cold water valve.



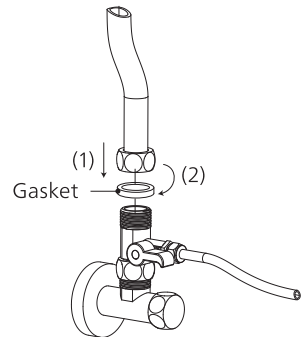
- b. Insert the nut of the three-way ball valve onto the 1/4" PE pipe and insert the pipe into the convex connector of the three-way ball valve. Tighten the nut with a wrench.



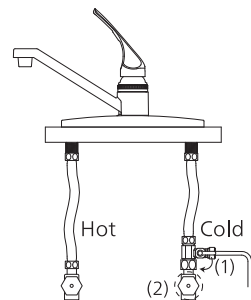
- c. Install the three-way ball valve on the cold water valve.
Please don't miss the gasket inside the three-way ball valve during installation.



- d. Connect the cold water hose with the three-way ball valve and screw it tightly with a wrench. Please don't miss the gasket in the cold water hose during installation.



- e. Switch off the three-way ball valve. Turn on the cold water supply. Wipe the connections with a tissue to see if there is leakage. If the tissue stays dry, it means the three-way ball valve is installed properly.



3. Installing the faucet

Note:

Select an appropriate installation position. The environment where the faucet is installed should adhere to any appropriate hygiene and sanitation conditions.

Make sure the faucet sits flat on top of the sink or countertop surface.

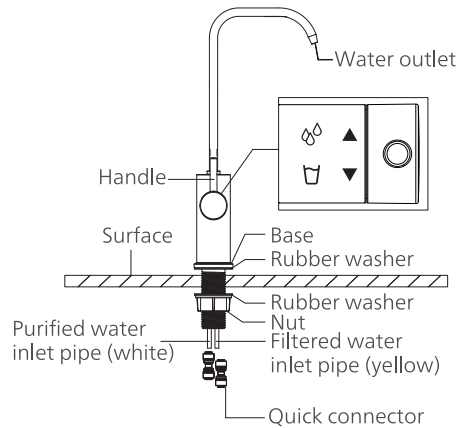
- a. Drill a hole with a diameter of 26-35mm.

Skip this step if there is already a hole in the sink or the countertop surface.

- b. Install the faucet according to the diagram.

Screw the faucet rod nuts to the faucet rod, and screw them tightly.

Under the sink or countertop, insert the inlet pipes of the faucet into the quick connectors and use clips to secure the pipes.



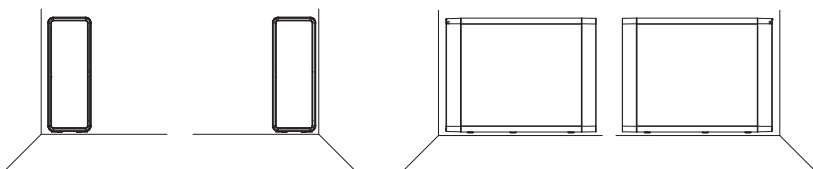
4. Installing the system

Note:

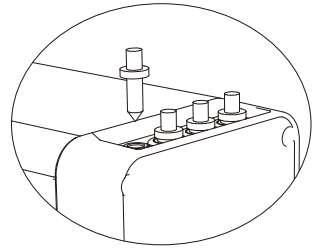
Please check if there is sufficient space for installing the system itself, its accessories, connections, and for servicing and repair. Under no circumstances should the system be installed outdoors. The environment where the system is installed should adhere to any appropriate hygiene and sanitation conditions. Avoid any external dripping liquids from pipes or drains etc onto the system.

This system should be placed on a stable and flat surface. Keep the system away from heat. It shall not be placed in a place that may have inflammable gas leakage.

- a. Find a proper place for the system.



b. Press the ring down and pull out the plugs.



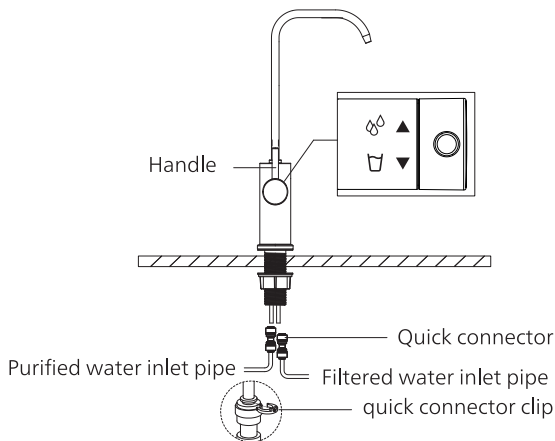
c. Connect the water inlet and the three-way ball valve.

Measure the length of the 1/4" pipe you need to connect the system and the three-way ball valve, and cut it accordingly with a pipe cutter. Insert the other end of the 1/4" pipe which has been connected with the three-way ball valve into the water inlet hole on the top of the system. Use a clip to secure the pipe at the hole.

d. Connect the water outlets and the faucet.

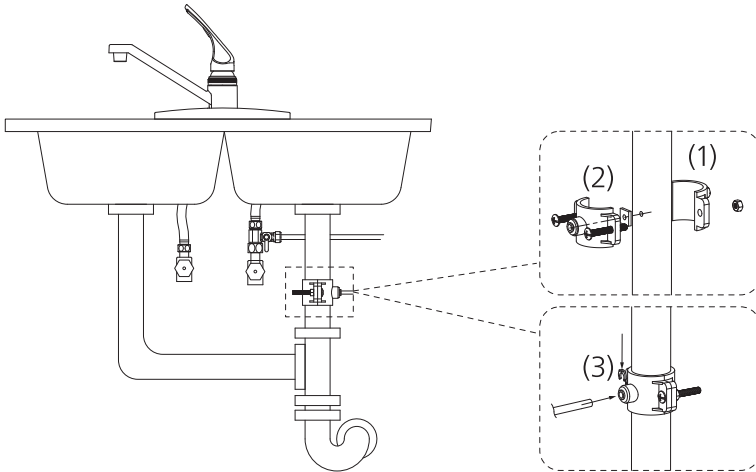
Measure the length of the 1/4" pipe you need to connect the system and the faucet, cut the 1/4" pipe with a pipe cutter. Insert one end of the pipe into the quick connector which has been connected with the purified water inlet pipe (white) of the faucet. Insert the other end of the pipe into the purified water outlet hole on the top of the system till the bottom. Use quick connector clips to secure the pipes.

Cut another 1/4" pipe with the pipe cutter. Insert one end of the pipe into the quick connector which has been connected with the filtered water inlet pipe (yellow) of the faucet. Insert the other end of the pipe into the filtered water outlet hole on the top of the system till the bottom. Use quick connector clips to secure the pipes.



e. Connect the drain water outlet and the drain connector

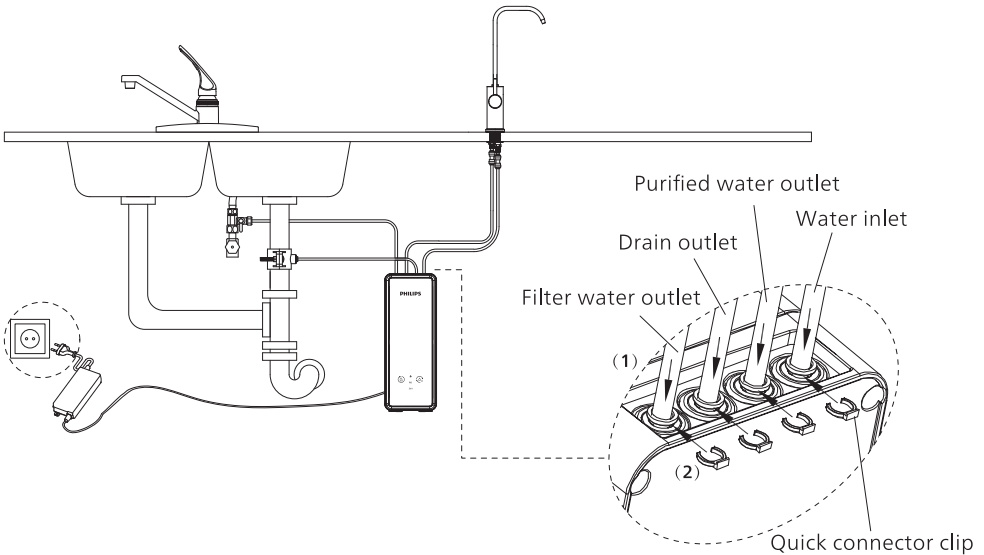
Choose a suitable position on the drain pipe to drill a 6.5mm hole. Install the drain connector according to the diagram. Securely tighten the nuts. Cut a section of 1/4" pipe. Insert one end of the pipe into the drain outlet hole on the top of the system till the bottom. Use a clip to secure the pipe at the hole. Insert the other end of the pipe into the drain connector.



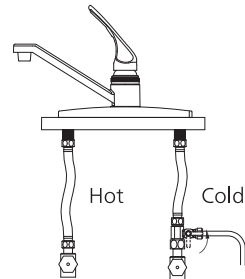
Note:

- Do not install the drain connector onto the same drain pipe as the garbage disposal.
- Do not penetrate opposite side of the pipe when drilling the hole.

f. Connect the power adapter with the system. DO NOT put the plug in the socket yet.



g. Check if the system is installed properly, and turn on the three-way ball valve.

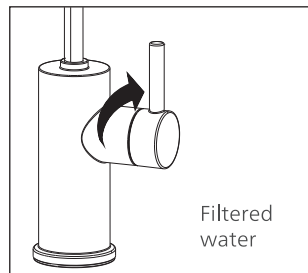
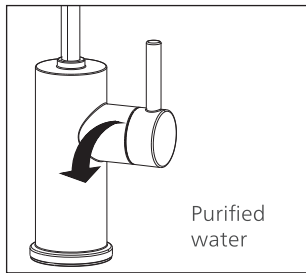


V. Using the system

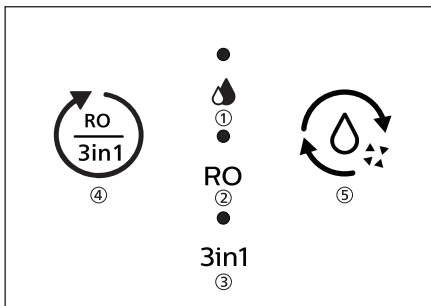
1. Before the first-time use

a. Connect the system with power. You will hear a beep, and all indicators will light up for 3 seconds. The system will enter into the auto-flush mode. Wipe all the joints and connections with tissue to check if there is leakage. If the tissue stays dry, it means the system is installed properly. If there is no further operation in 10 seconds after the auto-flush, the system will turn into standby mode.

b. After the auto-flush is completed, turn on the purified water (rotate the handle of the faucet anticlockwise) to allow water to run for 15 minutes. After that, switch off the faucet for at least 10 seconds, and then turn on the purified water again for another 15 minutes, which is for flushing the air and carbon fines through the filters. After that, the system is ready and you can start to enjoy both purified and filtered water.



2. User interface



- ① Operation status indicator
- ② RO filter lifetime indicator
- ③ 3in1 filter lifetime indicator
- ④ Reset button
- ⑤ Flush button

a. Operation status indicator:

Status	Indicator
Normal operation	Constant blue light
Flushing	Flashing blue light
Error	Flashing red light
Standby	Off

b. Filter lifetime indicator

Status	Indicator	Sound alert
More than 14 days	Constant blue light	N/A
Less than 14 days	Flashing red light	There will be beeps for 6 seconds after the faucet is turned on, reminding you to replace the filter.
The filter has reached the end of life and should be replaced immediately	Constant red light	There will be beeps whenever the faucet is turned on, reminding you to replace the filter.

c. Overtime protection

If the system is constantly working for 30 minutes, the system will go into protection mode and shut down. Meanwhile, the operation status indicator flashes in red, and you will hear 15 beeps. Unplug the system, wait for 1 minute, and plug in again to shoot the trouble.

d. Auto-flush

- The system flushes automatically for 18 seconds when it is powered up.
- The system flushes automatically for 6 seconds when it has operated for 5 minutes.
- The system flushes automatically for 30 seconds when it has been in standby for 72 hours.

e. Flush button

You may manually flush the system by pressing the flush button when the system is on standby mode. During the flushing, press the flush button again to stop it.

f. Reset button

To reset the filter lifetime, long press the reset button for 3 seconds. You will hear a beep, and the indicator of RO filter lifetime flashes in blue. Short press the reset button again to select the filter that needs to be reset.

When the indicator of the selected filter flashes, long press the reset button for 5 seconds. You will hear a beep, and the indicator of the selected filter will be in constant blue light after flashing twice. This means the filter lifetime has been reset successfully.

VI. Maintenance

1. Routine maintenance

- Organic solvent such as gasoline shall not be used for wiping the housing of the device. If cleaning is required, please gently wipe the surface of the product with a wet cloth after it is disconnected from the power supply.
- If the system is not used for more than 2 days, turn on the purified water and allow the water to run for at least 5 minutes to flush the filters and the system.
- If the system will not be used for an extended period (≥ 7 days), take out the filter cartridges, seal them with plastic wraps, and store them in the refrigerator (not in the freezer).
Turn off the three-way ball valve, turn on the purified water to empty the system, and turn off the power. Before using it again, turn on the purified water for at least 10 minutes to flush the filters and the system.

2. Filter lifetime

Note:

For the best performance, please change your filter cartridge according to the filter lifetime indicator, or the filter replacement cycle suggested below. When a significantly lower low rate is observed, we recommend changing the filters as well.

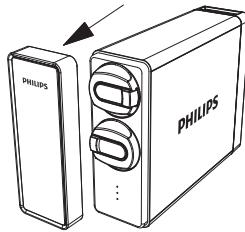
This system can only work with Philips filters.

Filter	Filter model code	System model code	Filter lifetime
3in1 compound filter	AUT812	AUT4030R400 AUT4030R600	Up to 12 months*
RO filter	AUT870R400	AUT4030R400	Up to 36 months*
RO filter	AUT870R600	AUT4030R600	Up to 36 months*

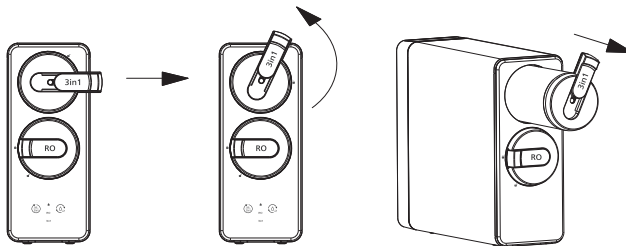
* The actual lifetime of the filter cartridge depends on the local tap water quality and daily usage. The recommended replacement cycle is an average based on different local tap water quality. If the local tap water quality is below the average, the actual lifetime of the cartridge would differ from the recommended replacement cycle. If the filter cartridge is blocked, please replace it.

3. Filter cartridge replacement

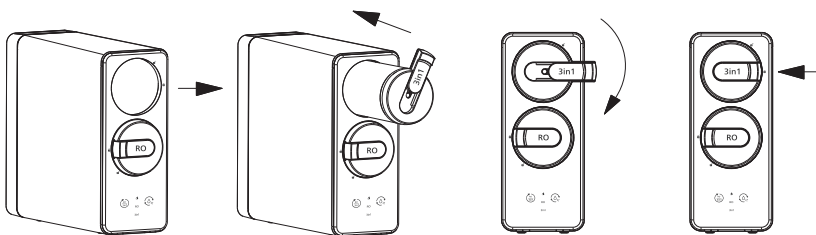
- a. Turn off the power and the three-way ball valve before replacing the filter cartridges.
- b. Remove the front cover.



- c. Pull out the lever of the filter which needs to be replaced, rotate it anticlockwise and take out the filter



- d. Remove the packaging of the new filter and insert the filter into the system (pull out the lever of the filter, align the lever with the unlock icon on the system and push it to the end); rotate the lever clockwise to the end and push back the lever (make sure the lever is aligned with the lock icon on the system).



- e. Turn on the three-way ball valve and re-connect with power. If the filter which has been replaced is RO filter, turn on the purified water (rotate the handle of the faucet anticlockwise) to allow water to run for 15 minutes. After that, switch off the faucet for at least 10 seconds, and then turn on the purified water again for another 15 minutes. If it is the 3in1 filter, turn on the filtered water and allow water to run for 10 minutes.
- f. Reset the filter lifetime according to chapter V.

VII. Precautions

1. Warning

- Always use municipal tap water as the water source. Do not use water that is micro-biologically unsafe or of unknown quality without adequate disinfection before or after the system.
- This system is not intended for use by persons (including children) with reduced physical sensory or mental capabilities, or lack of experience and knowledge unless they have been given supervision or instruction concerning the use of the appliance by a person responsible for their safety. Children should be supervised to ensure that they do not play with the system.
- Be sure to handle the system gently and carefully. Do not attempt to modify or repair the system yourself, otherwise, the warranty becomes invalid.
- This device is intended for domestic use only.
- The inlet water temperature of the system should be within 5-38°C. When the inlet water temperature exceeds 38°C, the filter could be damaged and become invalid. If the inlet water temperature is lower than 5°C, it may cause freezing and the parts of the system to rupture, resulting in water leakage.
- Do not reverse the installation order of the filter cartridges to avoid affecting the filter performance of the system.
- If the system is abnormal or faulty, stop using it immediately. Close the inlet water valve, and turn on the faucet to empty the system. Events of faults include:

- Leakage
- The product is cracked or damaged
- There is an abnormal sound or burnt smell
- The power plug or power cord is abnormally hot
- The machine does not work

Please contact consumer care for inspection immediately.

- If not using the system for an extended period, turn off the water supply, and turn on the faucet to release the internal pressure to avoid damage to the system.

VIII. Troubleshooting

Problem	Posibles causas	Soluciones
No water comes out from the faucet.	Cold water valve or the three-way ball valve is turned off.	Turn on the valves.
	The system is not connected with power.	Check if the power adapter is connected to the system and the power socket properly.
The flow rate gets slower.	Filter is blocked.	Replace the filter.
	Inlet water pressure is low.	Wait until the inlet water pressure gets stable, or install a pressure boost before the system if the inlet water pressure is constantly lower than 0.1 MPa.
Poor outlet water quality.	Filter has reached the end of life.	Replace the filter.
	The system hasn't been used for some time.	Turn on the purified water and allow the water to run for 5 minutes.
	The inlet water quality is poor.	Always use municipal tap water as the water source. Do not use water that is micro-biologically unsafe or of unknown quality without adequate disinfection before or after the system.

Operation status indicator lights up in red, and there are beeps.	The system has been filtering water continuously for 30 minutes.	Unplug the system, wait for 1 minute, and plug in again to shoot the trouble.
Filter lifetime indicators don't light up when the faucet is turned on.	The PCB board is damaged.	Contact consumer care.
The reset button doesn't work.	Didn't press the button long enough to trigger the reset.	Long press the reset button for 3 seconds to select the filter needs to be reset; Long press the reset button for 5 seconds to reset selected filter
The flush button doesn't work.	The button module is damaged.	Contact consumer care.
Indicators don't light up.	The system is not connected with power.	Check if the power adapter is connected to the system and the power socket properly.

IX. Guarantee & Service

If you need information or if you have any problems, please visit www.philips.com or contact the consumer care center in your country. If there is no consumer care center in your country, go to a local dealer. Within two years from the date of purchase, you will receive free warranty service for any damage caused by the manufacturing process, or components under normal operation confirmed by our maintenance service. The warranty service does not include frequently replaced consumable components, auxiliary devices, transportation fees, and door-to-door service. Please show the proof of purchase to the service personnel during maintenance.

X. Packing list

System (1pc of 3in1 filter & 1pc of RO filter included)	1X
Power adapter with plug	1X
Three-way ball valve	1X
Quick connector	2X
1/4" quick connector clip	8X
1/4" PE pipe	1X
Faucet	1X
Pressure relief valve	1X
Drain connector	1X
User manual	1X

Contenido

I. Introducción del producto	20	VI. Mantenimiento	32
II. Especificaciones del producto	21	Mantenimiento de	32
III. Descripción general del producto	22	rutina Vida útil del filtro	32
e ilustración de la instalación		Sustitución del cartucho de filtro	33
IV. Instalación	22	VII. Precauciones	34
Preparativos antes de la instalación	24	Advertencia	34
Instalación de la válvula de bola de tres vías	24	VIII. Solución de problemas	35
Instalación del grifo	26	IX. Garantía y servicio	36
Instalación del sistema	26	X. Lista de contenido	37
V. Uso del sistema	29		
Antes del primer uso	29		
Interfaz del usuario	30		



Instalación

I. Introducción del producto

Enhorabuena por su compra y bienvenido a Philips. Nuestro sistema de filtración de agua por ósmosis inversa bajo el fregadero no solo tiene un alto flujo de filtración, que asegura que cada gota de agua se proporcione recién filtrada, sino que también presenta un diseño ultracompacto y sin tanque, que permite ahorrar mucho espacio en la cocina. La membrana de ósmosis inversa tiene un nivel de filtración profundo de hasta 0,0001 micrones, que elimina eficazmente los virus, las bacterias, los metales pesados, los pesticidas, la dureza del agua, los compuestos orgánicos volátiles, el cloro, etc., y proporciona así agua de excelente sabor.*


Lea atentamente este manual de usuario antes de utilizar el aparato. Guárdelo para futuras referencias.

Nota:

El agua suministrada por los sistemas de ósmosis inversa tiene un bajo contenido en minerales. Las sales minerales que necesita el cuerpo humano las aportan los alimentos y, en menor medida, el agua que bebemos.

* Las sustancias que elimina o reduce este sistema no se encuentran necesariamente en el agua de todos los usuarios.

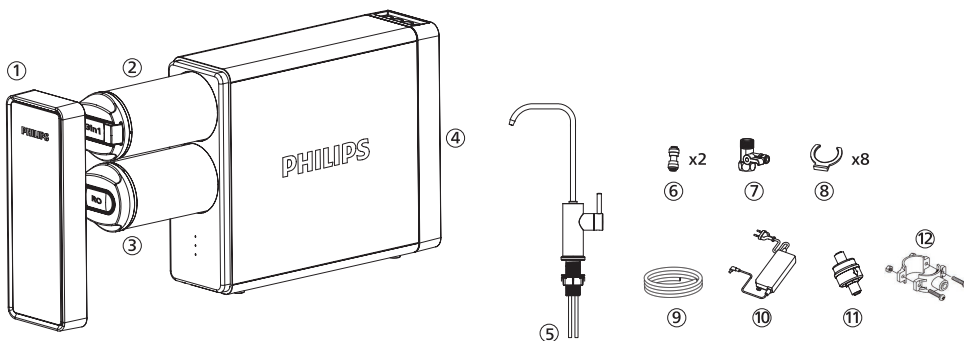
II. Especificaciones del producto

Nombre del producto	Sistema de filtración de agua por ósmosis inversa Philips bajo el fregadero	
Modelo del producto	AUT4030R400	AUT4030R600
Flujo de agua filtrada	2 litros/minuto	
Flujo de agua purificada	1,05 litros/minuto	1,57 litros/minuto
Capacidad de filtración	Filtro 3 en 1: 6000 litros Filtro de ósmosis inversa: 11 000 litros	
Presión del agua de entrada	0,1- 0,4 MPa**	
Temperatura del agua de entrada	5°C - 38°C	
Tensión nominal	24V 	
Potencia nominal	55W	70W
TDS máximo en el agua de entrada	1500 ppm***	
Dureza máxima del agua de entrada	15 °fH***	
Peso neto	6,8 kg	7.2 kg
Dimensiones	390*114*303.5mm	
Fuente de agua aplicable	El agua del grifo municipal, que cumple todos los requisitos de la Directiva europea sobre el agua para el consumo humano 98/83 y sus transposiciones nacionales en los distintos Estados miembros de la UE.	

** Cuando la presión del agua de entrada supera los 0,4 MPa, debe instalarse una válvula de alivio de presión antes del sistema. Cuando la presión del agua de entrada es inferior a 0,1 MPa, debe instalarse un reforzador de presión antes del sistema. La válvula de alivio de presión se incluye en la bolsa de accesorios y el reforzador de presión debe adquirirse por separado.

*** Si la salinidad del agua de entrada supera las 1500 ppm, o la dureza supera los 15 °fH, la vida útil de los filtros puede verse afectada. Consulte con su distribuidor sobre la instalación de prefiltros antes del sistema.

III. Descripción general del producto e ilustración de la instalación



① Tapa frontal

② Filtro 3 en 1

③ Filtro de ósmosis inversa

④ Unidad principal

⑤ Grifo

⑥ Conector rápido

⑦ Válvula de bola de tres vías

⑧ Clip de conexión rápida

⑨ Tubo de 1/4" de PE (blanco)

⑩ Adaptador de corriente

⑪ Válvula de alivio de presión

⑫ Conector de drenaje

IV. Instalación

Nota:

- Antes de la instalación, es importante comprobar el estado del sistema para asegurarse de que no se haya dañado durante el transporte.
- Desembale el sistema y sus accesorios. Retire el material de protección del embalaje. Se han utilizado materiales reciclables para el embalaje y deben desecharse en los contenedores de reciclaje adecuados o en el centro de reciclaje local específico.

Advertencia: Mantenga las bolsas de plástico fuera del alcance de los niños, ya que pueden ser peligrosas.

- Compruebe si falta algo de acuerdo con la lista de contenido y la descripción general.
- Dado que el sistema mejorará la calidad de su agua potable, todas las herramientas que se utilicen en el proceso de instalación deben estar limpias, sin óxido ni grasa.
- El proceso de instalación debe realizarse en condiciones higiénicas adecuadas, y deben tomarse todas las precauciones necesarias respecto a los materiales y componentes que entrarán en contacto con el agua a tratar o consumir.
- Evite la contaminación externa del sistema debido a una manipulación inadecuada; para ello, utilice guantes, gel desinfectante y lávese las manos con la frecuencia necesaria durante el proceso de instalación, el primer uso y el mantenimiento del sistema.
- El sistema y la instalación deberán cumplir la normativa local aplicable.
- Este producto no puede eliminarse con otros residuos domésticos.

Al final de la vida útil del producto, debe devolverse al lugar de compra, o a un centro de reciclaje local, y debe indicarse que contiene componentes eléctricos y electrónicos. La recogida y el tratamiento adecuados de los productos que ya no se van a utilizar contribuyen a la preservación de los recursos naturales y evitan cualquier riesgo potencial para la salud pública.



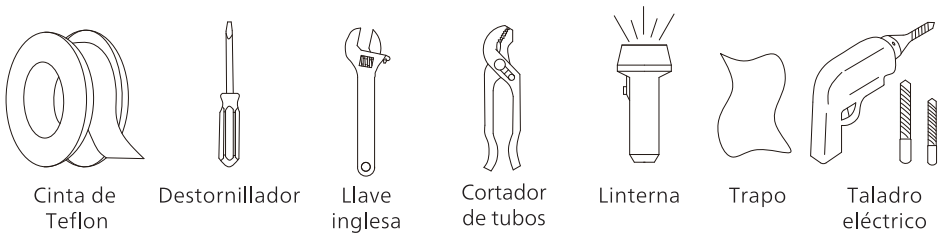
1. Preparativos antes de la instalación

Elija una posición adecuada para instalar el sistema.

Asegúrese de que haya una toma de corriente cerca de la posición de instalación.

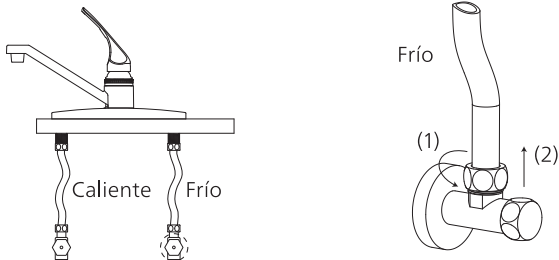
Compruebe la lista de contenido y asegúrese de tener todos los accesorios.

Prepare las herramientas necesarias para la instalación:

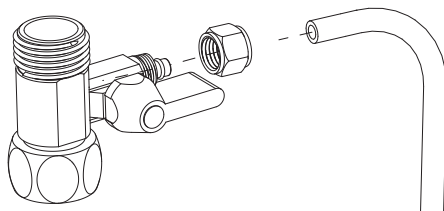


2. Instalación de la válvula de bola de tres vías

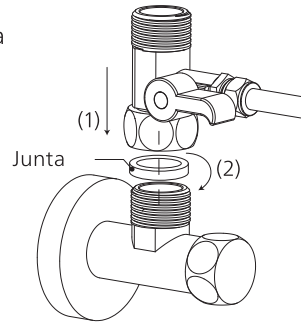
a. Cierre el suministro de agua fría. Abra el grifo de agua fría de la cocina para liberar la presión y permitir que el agua salga del conducto. Desconecte la manguera de agua fría de la válvula de agua fría.



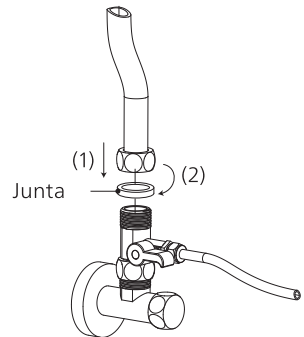
b. Inserte la tuerca de la válvula de bola de tres vías en el tubo de 1/4" de PE e inserte el tubo en el conector convexo de la válvula de bola de tres vías. Apriete la tuerca con una llave inglesa.



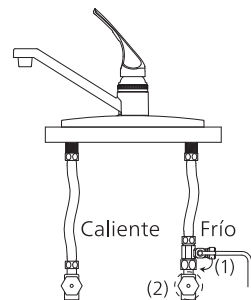
c. Instale la válvula de bola de tres vías en la válvula de agua fría.No pierda la junta dentro de la válvula de bola de tres vías durante la instalación.



d. Conecte la manguera de agua fría con la válvula de bola de tres vías y atorníllela firmemente con una llave inglesa. No pierda la junta en la manguera de agua fría durante la instalación.



e. Cierre la válvula de bola de tres vías. Abra el suministro de agua fría. Limpie las conexiones con un pañuelo de papel para ver si hay fugas. Si el pañuelo se mantiene seco, significa que la válvula de bola de tres vías está instalada correctamente.



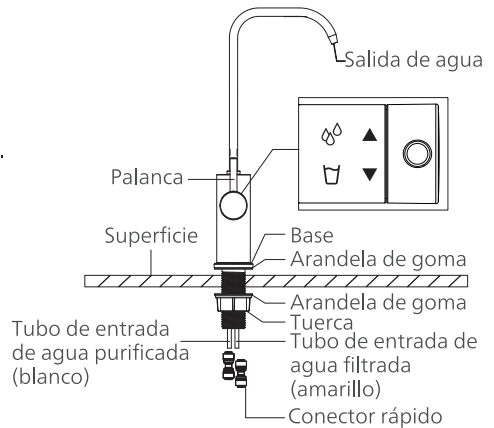
3. Instalación del grifo

Nota:

Seleccione una posición de instalación adecuada. El entorno en el que se instala el grifo debe cumplir con las condiciones de higiene y sanidad adecuadas.

Asegúrese de que el grifo quede plano sobre la superficie del fregadero o la encimera.

- a. Perfore un orificio de un diámetro de 26 a 35 mm. Omita este paso si ya hay un orificio en el fregadero o en la superficie de la encimera.
- b. Instale el grifo de acuerdo con el diagrama. Atornille las tuercas de la varilla del grifo a esta con fuerza. Debajo del fregadero o de la encimera, introduzca los tubos de entrada del grifo en los conectores rápidos y utilice clips para fijarlos.



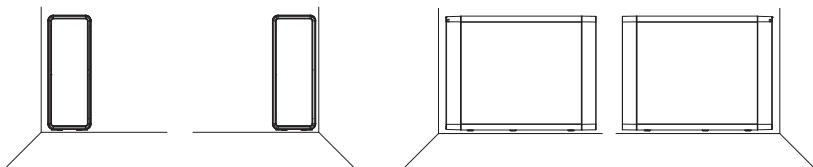
4. Instalación del sistema

Nota:

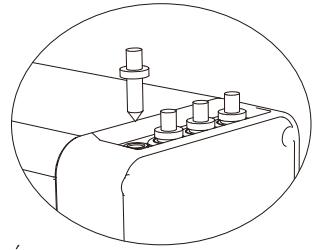
Compruebe si hay espacio suficiente para instalar el sistema, sus accesorios y conexiones, y para el mantenimiento y la reparación. El sistema no debe instalarse en el exterior. El entorno en el que se instala el sistema debe cumplir con las condiciones de higiene y saneamiento adecuadas. Evite que líquidos externos de tuberías o desagües, etc. goteen sobre el sistema.

Este sistema debe colocarse sobre una superficie estable y plana. Mantenga el sistema alejado del calor. No debe colocarse en un lugar que pueda tener una fuga de gas inflamable.

- a. Encuentre un lugar adecuado para el sistema.



b. Presione el anillo inferior hacia abajo con la uña y estire el tapon.



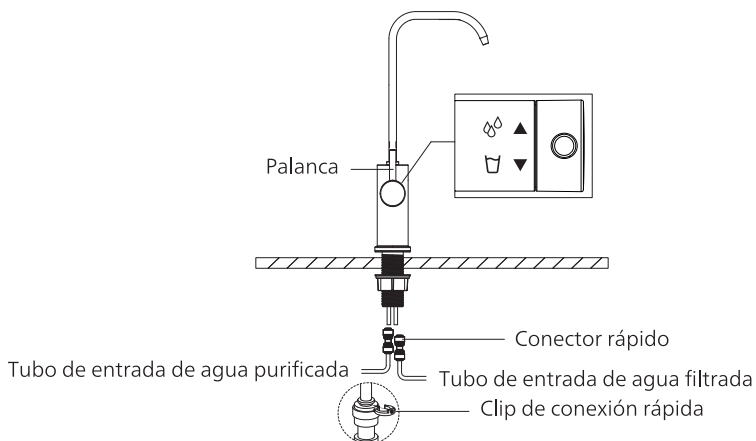
c. Conecte la entrada de agua y la válvula de bola de tres vías.

Mida la longitud del tubo de 1/4" que necesita para conectar el sistema y la válvula de bola de tres vías, y córtela en consecuencia con un cortatubos. Introduzca el otro extremo del tubo de 1/4" que se ha conectado con la válvula de bola de tres vías en el orificio de entrada de agua en la parte superior del sistema. Utilice un clip para asegurar el tubo en el orificio.

d. Conecte las salidas de agua y el grifo.

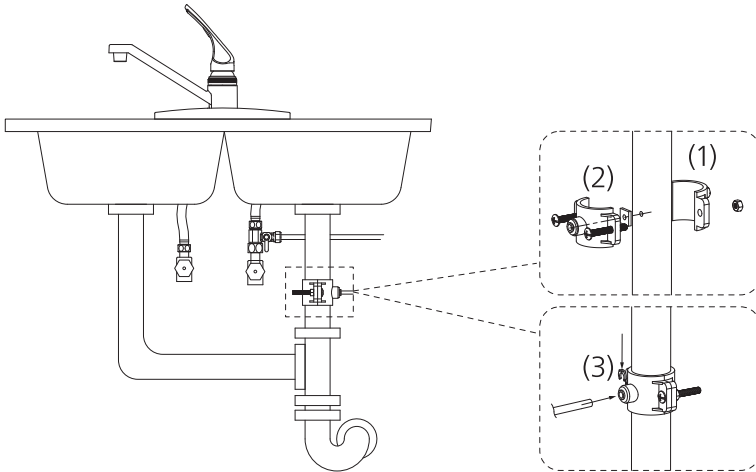
Mida la longitud del tubo de 1/4" que necesita para conectar el sistema y el grifo, corte el tubo de 1/4" con un cortatubos. Introduzca un extremo del tubo en el conector rápido que se ha conectado con el tubo de entrada de agua purificada (blanco) del grifo. Introduzca el otro extremo del tubo en el orificio de salida del agua purificada en la parte superior del sistema hasta el fondo. Utilice clips de conexión rápida para asegurar los tubos.

Corte otro tubo de 1/4" con el cortatubos. Introduzca un extremo del tubo en el conector rápido que se ha conectado con el tubo de entrada de agua filtrada (amarillo) del grifo. Introduzca el otro extremo del tubo en el orificio de salida del agua filtrada en la parte superior del sistema hasta el fondo. Utilice clips de conexión rápida para asegurar los tubos.



e. Conecte la salida de agua de drenaje y el conector de drenaje.

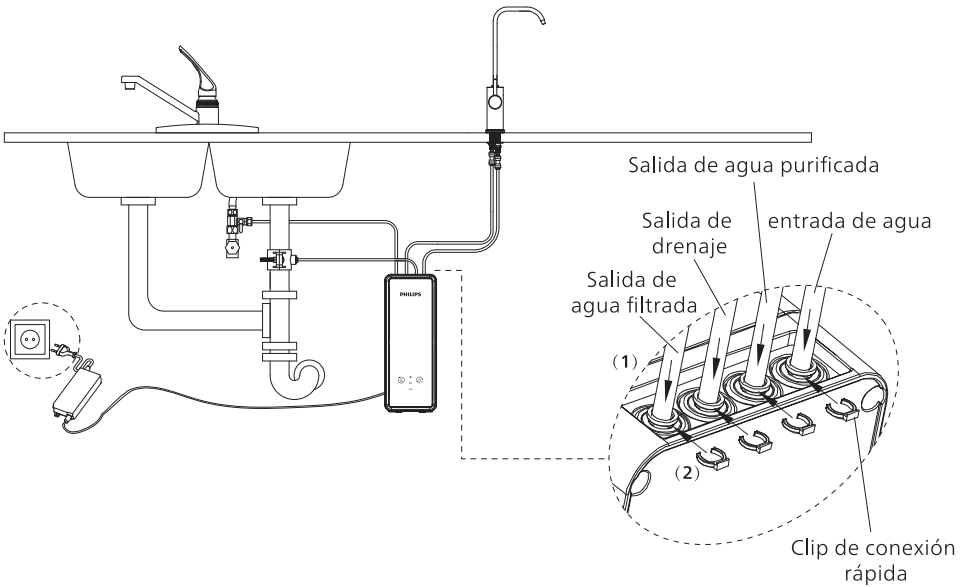
Elija una posición adecuada en el tubo de desagüe para perforar un orificio de 6,5 mm. Instale el conector de drenaje según el diagrama. Apriete bien las tuercas. Corte una sección del tubo de 1/4". Introduzca un extremo del tubo en el orificio de salida del desagüe en la parte superior del sistema hasta el fondo. Utilice un clip para asegurar el tubo en el orificio. Introduzca el otro extremo del tubo en el conector de desagüe.



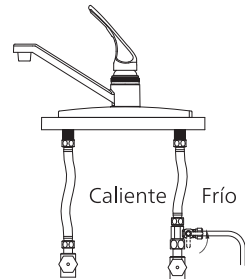
Nota:

- No instale el conector de desagüe en el mismo tubo de desagüe que el triturador de basura.
- No penetre en el lado opuesto del tubo al perforar el orificio.

f. Conecte el adaptador de corriente con el sistema. NO coloque el enchufe en la toma de corriente todavía.



g. Compruebe si el sistema está instalado correctamente, y abra la válvula de bola de tres vías.

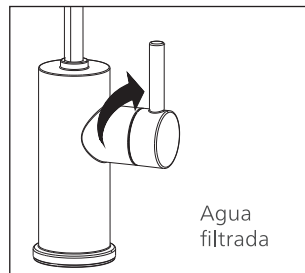
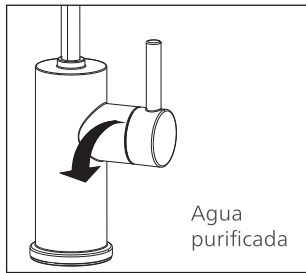


V. Uso del sistema

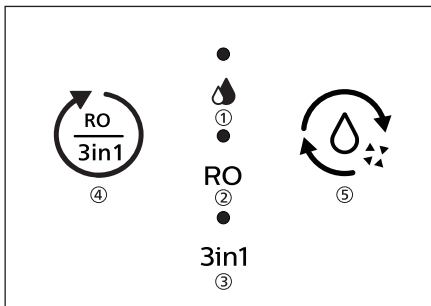
1. Antes del primer uso

a. Conecte el sistema con la energía. Oirá un pitido y todos los indicadores se iluminarán durante 3 segundos. El sistema entrará en el modo de limpieza automática. Limpie todas las juntas y conexiones con un pañuelo de papel para comprobar si hay fugas. Si el pañuelo permanece seco, significa que el sistema está bien instalado. Si no hay ninguna otra operación en 10 segundos después del limpieza automática, el sistema pasará al modo en reposo.

b. Una vez que se haya completado el limpieza automático, abra el agua purificada (gire la manija del grifo en sentido contrario a las agujas del reloj) para dejar correr el agua durante 15 minutos. Después de eso, cierre el grifo durante al menos 10 segundos y vuelva a abrir el agua purificada durante otros 15 minutos. Esto permite purgar el aire y los finos de carbón a través de los filtros. Después de eso, el sistema está listo y puede empezar a disfrutar del agua purificada y filtrada.



2. Interfaz del usuario



- ① Indicador de estado de funcionamiento
- ② Indicador de vida útil del filtro de ósmosis inversa
- ③ Indicador de vida útil del filtro 3 en 1
- ④ Botón de reinicio
- ⑤ Botón de enjuague

a. Indicador de estado de funcionamiento:

Estado	Indicador
Funcionamiento normal	Luz azul fija
Enjuague	Luz azul intermitente
Error	Luz roja intermitente
En reposo	Apagado

b. Indicador de vida útil del filtro

Estado	Indicador	Alerta sonora
Más de 14 días	Luz azul fija	N/D
Menos de 14 días	Luz roja intermitente	Habrà pitidos durante 6 segundos después de que se abra el grifo, para recordarle que debe sustituir el filtro.
El filtro ha llegado al final de la vida útil y debe sustituirse inmediatamente	Luz roja constante	Habrà pitidos cada vez que el grifo esté abierto, para recordarle que debe sustituir el filtro.

c. Protección contra exceso de uso

Si el sistema funciona constantemente durante 30 minutos, este pasará al modo de protección y se apagará. Mientras tanto, el indicador de estado de funcionamiento parpadea en rojo y se oyen 15 pitidos. Desenchufe el sistema, espere 1 minuto y vuelva a enchufarlo para solucionar el problema.

d. Limpieza automática

- El sistema se limpia automáticamente durante 18 segundos cuando se enciende.
- El sistema se limpia automáticamente durante 6 segundos cuando ha funcionado durante 5 minutos.
- El sistema se limpia automáticamente durante 30 segundos cuando ha estado en reposo durante 72 horas.

e. Botón de limpieza

Puede enjuagar manualmente el sistema si pulsa el botón de limpieza cuando este está en modo en reposo. Durante la descarga, pulse de nuevo el botón de descarga para detenerla.

f. Botón de reinicio

Para restablecer la vida útil del filtro, pulse prolongadamente el botón de reinicio durante 3 segundos. Oirá un pitido y el indicador de la vida útil del filtro de ósmosis inversa parpadeará en azul. Vuelva a pulsar brevemente el botón "RESET" para seleccionar el filtro que debe restablecerse.

Cuando el indicador del filtro seleccionado parpadee, pulse prolongadamente el botón de reinicio durante 5 segundos. Oirá un pitido, y el indicador del filtro seleccionado se mostrará en azul fijo después de parpadear dos veces. Esto significa que la vida útil del filtro se ha restablecido con éxito.

VI. Mantenimiento

1. Mantenimiento de rutina

- No debe utilizarse un disolvente orgánico, como la gasolina, para limpiar la carcasa del dispositivo. Si es necesario limpiarla, limpie la superficie del producto con un paño húmedo después de desconectarlo de la fuente de alimentación.
- Si el sistema no se utiliza durante más de 2 días, abra el agua purificada y deje correr durante al menos 5 minutos para enjuagar los filtros y el sistema.
- Si el sistema no se va a utilizar durante un período prolongado (≥ 7 días), saque los cartuchos de filtro, séllelos con envoltorios de plástico y guárdelos en el refrigerador (no en el congelador).

Gire la válvula de bola de tres vías, abra el agua purificada para vaciar el sistema, y desconecte la alimentación. Antes de volver a utilizarlo, abra el agua purificada durante al menos 10 minutos para enjuagar los filtros y el sistema.

2. Vida útil del filtro

Nota:

Para asegurarse de lograr el mejor rendimiento, cambie el cartucho del filtro de acuerdo con su indicador de vida útil o con el ciclo de reemplazo sugerido a continuación. Cuando se observa una tasa significativamente baja, se recomienda cambiar también los filtros.

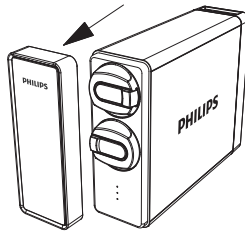
Este sistema solo puede funcionar con filtros Philips.

Filtro	Código del modelo de filtro	Código del modelo de sistema	Vida útil del filtro
Filtro compuesto 3 en 1	AUT812	AUT4030R400 AUT4030R600	Hasta 12 meses*
Filtro de ósmosis inversa	AUT870R400	AUT4030R400	Hasta 36 meses*
Filtro de ósmosis inversa	AUT870R600	AUT4030R600	Hasta 36 meses*

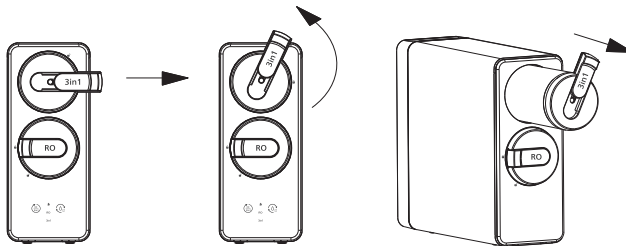
* La vida útil real del cartucho del filtro depende de la calidad del agua del grifo local y del uso diario. El ciclo de sustitución recomendado es un promedio que se basa en la diferente calidad del agua del grifo local. Si la calidad del agua del grifo local es inferior al promedio, la vida útil real del cartucho diferirá del ciclo de sustitución recomendado. Si el cartucho del filtro está bloqueado, sustitúyalo.

3. Sustitución de los filtros

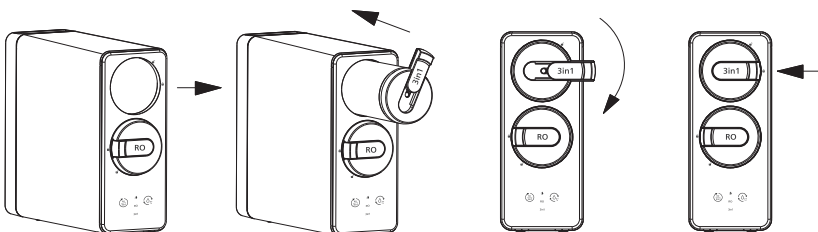
- a. Desconecte la alimentación y la válvula de bola de tres vías antes de sustituir los cartuchos del filtro.
- b. Retire la cubierta delantera.



- c. Tire de la palanca del filtro que hay que sustituir, gírela en sentido contrario a las agujas del reloj y saque el filtro



- d. Retire el embalaje del nuevo filtro e introduzca este último en el sistema (tire de la palanca del filtro, alinee la palanca con el icono de desbloqueo del sistema y empújela hasta el final); gire la palanca en el sentido de las agujas del reloj hasta el final y empuje hacia atrás la palanca (asegúrese de que la palanca esté alineada con el icono de bloqueo del sistema)



- e. Conecte la válvula de bola de tres vías y vuelva a conectar la alimentación. Si el filtro que se ha sustituido es el de ósmosis inversa, abra el agua purificada (gire la manija del grifo en sentido contrario a las agujas del reloj) para dejar correr el agua durante 15 minutos. Después, cierre el grifo durante al menos 10 segundos y vuelva a abrir el agua purificada durante otros 15 minutos. Si se trata del filtro 3 en 1, abra el agua filtrada y deje correr durante 10 minutos.
- f. Restablecer la vida útil del filtro según el capítulo V.

VII. Precauciones

1. Advertencia

- Utilice siempre el agua del grifo municipal como fuente de agua. No utilice agua microbiológicamente insegura o de calidad desconocida sin una desinfección adecuada antes o después del sistema.
- Este sistema no está destinado para personas (incluidos los niños) con capacidades físicas, sensoriales o mentales reducidas, o con falta de experiencia y conocimientos, a menos que una persona responsable de su seguridad las supervise o instruya sobre el uso del aparato. Los niños deben contar con supervisión para garantizar que no jueguen con el sistema.
- Asegúrese de manipular el sistema con suavidad y cuidado. No intente modificar o reparar el sistema usted mismo, de lo contrario, la garantía no será válida.
- Este aparato está destinado exclusivamente a un uso doméstico.
- La temperatura del agua de entrada del sistema debe estar entre 5 °C y 38 °C. Cuando la temperatura del agua de entrada supera los 38 °C, el filtro puede dañarse y perder validez. Si la temperatura del agua de entrada es inferior a 5 °C, puede provocar la congelación y la rotura de las piezas del sistema, lo que provocaría una fuga de agua.
- No invierta el orden de instalación de los cartuchos filtrantes para no afectar al rendimiento del sistema.
- Si el sistema es anormal o defectuoso, deje de utilizarlo inmediatamente. Cierre la válvula de entrada de agua y abra el grifo para vaciar el sistema. Entre los eventos de faltas se incluyen:

- Fugas
- El producto está agrietado o dañado
- Hay un sonido anormal o un olor a quemado
- El enchufe o el cable de alimentación están anormalmente calientes
- La máquina no funciona

Póngase en contacto con el servicio de atención al consumidor para que lo inspeccione inmediatamente.

- Si no va a utilizar el sistema durante un período prolongado, cierre el suministro de agua, y abra el grifo para liberar la presión interna y evitar daños en el sistema.

VIII. Solución de problemas

Problema	Posibles causas	Soluciones
No llega agua del grifo.	La válvula de agua fría o la válvula de bola de tres vías se cierran.	Abra las válvulas.
	El sistema no está conectado a la alimentación.	Compruebe si el adaptador de corriente está conectado al sistema y a la toma de corriente correctamente.
El flujo se vuelve más lento.	El filtro está bloqueado.	Sustituya el filtro.
	La presión del agua de entrada es baja.	Espere a que la presión del agua de entrada se estabilice, o instale un refuerzo de presión antes del sistema si la presión del agua de entrada es constantemente inferior a 0,1 MPa.
Calidad deficiente del agua de salida.	El filtro ha llegado al final de su vida útil.	Sustituya el filtro.
	El sistema no se ha utilizado durante algún tiempo.	Abra el agua purificada y deje correr el agua durante 5 minutos.
	La calidad del agua de entrada es deficiente.	Utilice siempre el agua del grifo municipal como fuente de agua. No utilice agua microbiológicamente insegura o de calidad desconocida sin una desinfección adecuada antes o después del sistema.

El indicador de estado de funcionamiento se ilumina en rojo y se oyen pitidos.	El sistema ha filtrado el agua continuamente durante 30 minutos.	Desenchufe el sistema, espere 1 minuto y vuelva a enchufarlo para solucionar el problema.
Los indicadores de vida útil del filtro no se iluminan al abrir el grifo.	La placa de circuito impreso está dañada.	Póngase en contacto con Atención al cliente.
El botón de reinicio no funciona.	No presionó prolongadamente el botón para activar el reinicio.	Presione prolongadamente el botón de reinicio durante 3 segundos para seleccionar el filtro que debe reiniciarse. Presione prolongadamente el botón de reinicio durante 5 segundos para reiniciar el filtro seleccionado.
El botón de descarga no funciona.	El módulo de botones está dañado.	Póngase en contacto con Atención al cliente.
Los indicadores no se iluminan.	El sistema no está conectado a la alimentación.	El sistema no está conectado a la alimentación. Compruebe si el adaptador de corriente está conectado al sistema y a la toma de corriente correctamente.

IX. Garantía y servicio

Si necesita información o tiene algún problema, visite www.philips.com o póngase en contacto con el centro de Atención al cliente de su país. Si no hay un centro de Atención al cliente en su país, acuda a un distribuidor local. Durante un plazo de dos años a partir de la fecha de compra, recibirá un servicio de garantía gratuito para cualquier daño causado por el proceso de fabricación, o en componentes en funcionamiento normal que se confirme por medio de nuestro servicio de mantenimiento. El servicio de garantía no incluye los componentes consumibles de sustitución frecuente, los dispositivos auxiliares, los gastos de transporte y el servicio a domicilio. Muestre el comprobante de compra al personal de servicio durante el mantenimiento.

X. Lista de contenido

Sistema (1 pieza de filtro 3 en 1 y 1 pieza de filtro de ósmosis inversa incluidos)	1X
Adaptador de corriente con enchufe	1X
Válvula de bola de tres vías	1X
Conector rápido	2X
Clip de conexión rápida de 1/4"	8X
Tubo de PE de 1/4".	1X
Grifo	1X
Válvula de alivio de presión	1X
Conector de drenaje	1X
Manual del usuario	1X

Contenu

I. Présentation du produit	39
----------------------------	----

II. Spécifications des produits	40
---------------------------------	----

III. Aperçu du produit et illustration de l'installation	41
--	----

IV. Installation	42
Préparations avant l'installation	43
Installation de la soupape à bille à trois voies	43
Installation du robinet	45
Installation du système	45

V. Utilisation du système	48
Avant la première utilisation	48
Interface utilisateur	49

VI. Maintenance	51
Entretien de routine	51
Durée d'exploitation du filtre	51
Remplacement de la cartouche filtrante	52

VII. Précautions	53
Avertissement	53

VIII. Dépannage	54
-----------------	----

IX. Garantie et service	55
-------------------------	----

X. Contenu de l'emballage	56
---------------------------	----



Installation

I. Présentation du produit

Félicitations pour votre achat et bienvenue chez Philips ! Notre système de filtration d'eau par osmose inverse sous l'évier n'est pas seulement doté d'un débit de filtration élevé, qui garantit que chaque goutte d'eau est fraîchement filtrée, mais aussi d'un design ultra-compact et sans réservoir, qui permet de gagner beaucoup d'espace dans la cuisine. La membrane d'osmose inverse a un niveau de filtration profond, jusqu'à 0,0001 micron, qui élimine efficacement les virus, les bactéries, les métaux lourds, les pesticides, la dureté de l'eau, les composés organiques volatils, le chlore et bien plus, pour vous donner une eau de très bon goût*.


Lisez attentivement ce manuel d'utilisation avant d'utiliser l'appareil. Conservez-le pour pouvoir le consulter ultérieurement.

Remarque

L'eau fournie par les systèmes d'osmose inverse a une faible teneur en minéraux. Les sels minéraux dont le corps humain a besoin sont fournis par l'alimentation et, dans une moindre mesure, par l'eau que nous buvons.

* Les substances éliminées ou réduites par ce système ne sont pas nécessairement présentes dans l'eau de tous les utilisateurs.

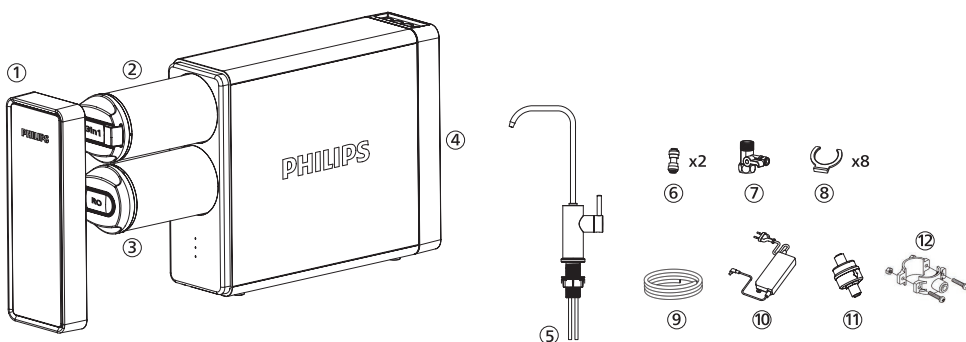
II. Spécifications des Produits

Nom du produit	Eau sous évier par osmose inverse Philips système de filtration	
Modèle de produit	AUT4030R400	AUT4030R600
Débit d'eau filtrée	2 litres/minute	
Débit d'eau purifiée	1,05 litres/minute	1,57 litres/minute
Capacité de filtration	Filtre 3 en 1 : 6 000 litres Filtre RO. 11 000 litres	
Pression de l'eau à l'orifice d'entrée	0,1 à 0,4 MPa**	
Température de l'eau à l'orifice d'entrée	5°C à 38°C	
Tension nominale	24V 	
Puissance nominale	55W	70W
TDS maximum de l'eau l'orifice d'entrée	1500 ppm***	
Dureté maximale de l'eau à l'orifice d'entrée	15 °fH***	
Poids net	6,8 kg	7.2 kg
Dimensions	390*114*303.5mm	
Source d'eau applicable	L'eau du robinet municipale, qui répond à toutes les exigences de la directive européenne 98/83 sur l'eau destinée à la consommation humaine et à ses transpositions nationales dans les différents États membres de l'UE.	

** Lorsque la pression de l'eau à l'orifice d'entrée dépasse 0,4 MPa, une soupape de sécurité doit être installée avant le système. Lorsque la pression de l'eau à l'orifice d'entrée est inférieure à 0,1 MPa, un surpresseur doit être installé avant le système. La soupape de sécurité est incluse dans le sac d'accessoires et le surpresseur doit être acheté séparément.

*** Si la salinité de l'eau à l'orifice d'entrée dépasse 1500 ppm, ou si la solidité dépasse 15 °FH, la durée de fonctionnement des filtres peut être affectée. Veuillez consulter votre revendeur pour l'installation de préfiltres avant le système.

III. Aperçu du produit et illustration de l'installation



- ① Couverture avant
- ② Filtre 3 en 1
- ③ Filtre RO
- ④ Unité principale
- ⑤ Robinets
- ⑥ Connecteur rapide

- ⑦ Soupape à bille à trois voies
- ⑧ Pince pour connecteur rapide
- ⑨ Tuyau PE 1/4" (blanc)
- ⑩ Adaptateur électrique
- ⑪ Soupape de sécurité
- ⑫ Connecteur d'évacuation

IV. Installation

Remarque

- Avant l'installation, il est important de vérifier l'état du système pour s'assurer qu'il n'a pas été endommagé pendant le transport.
- Déballez le système et ses accessoires. Retirez l'emballage de protection. Des matériaux recyclables ont été utilisés pour l'emballage et doivent être jetés dans les bacs de recyclage appropriés ou au centre de recyclage local spécifique.

Avertissement : Gardez les sacs en plastique hors de portée des enfants, car ils peuvent être dangereux.

- Vérifiez que rien ne manque selon le contenu de l'emballage et la vue d'ensemble.
- Étant donné que le système améliorera la qualité de votre eau potable, tous les outils utilisés pour l'installation doivent être propres, exempts de rouille et de graisse.
- Le processus d'installation doit être effectué dans des conditions d'hygiène appropriées, en prenant toutes les précautions nécessaires concernant les matériaux et les composants qui entreront en contact avec l'eau à traiter ou à consommer.
- Évitez toute contamination externe du système par une manipulation inadéquate, en utilisant des gants, du gel désinfectant et en vous lavant les mains aussi souvent que nécessaire pendant le processus d'installation, la première utilisation et la maintenance du système.
- Le système et l'installation doivent être conformes aux réglementations locales applicables.
- Ce produit ne peut pas être disposé avec les autres déchets domestiques.

À la fin de sa durée de fonctionnement, le produit doit être retourné au lieu d'achat, ou à un centre de recyclage local, en indiquant qu'il contient des composants électriques et électroniques. La collecte et le traitement appropriés des produits qui ne sont plus utilisés contribuent à la préservation des ressources naturelles et évitent tout risque potentiel pour la santé publique.



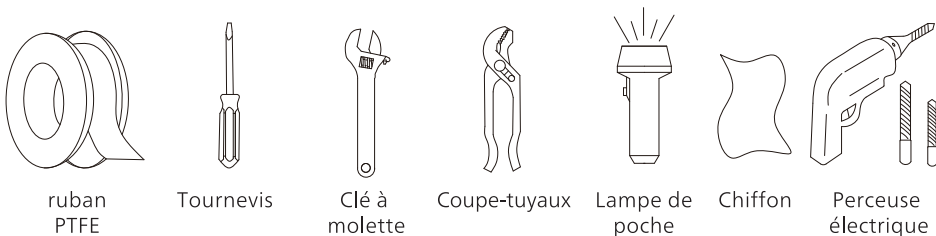
1. Préparations avant l'installation

Choisissez un endroit approprié pour installer le système ;

Assurez-vous qu'il y a une prise de courant à proximité du lieu d'installation ;

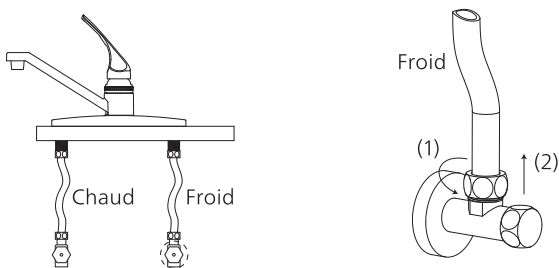
Vérifiez le contenu de l'emballage et assurez-vous que vous avez tous les accessoires qui y figurent ;

Préparez les outils nécessaires à l'installation :

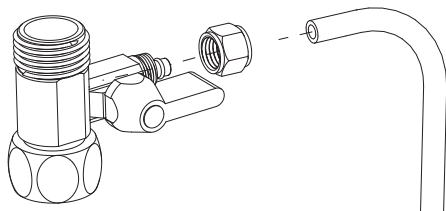


2. Installation de la soupape à bille à trois voies

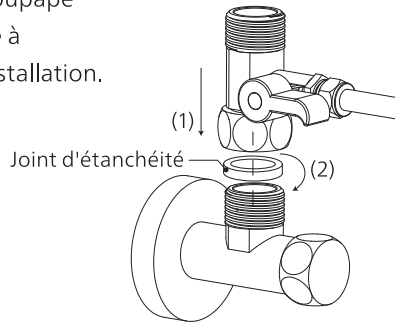
a. Fermez l'arrivée d'eau froide. Ouvrez le robinet d'eau froide de la cuisine pour libérer la pression et permettre à l'eau de s'écouler de la conduite. Débranchez le tuyau d'eau froide de la soupape d'eau froide.



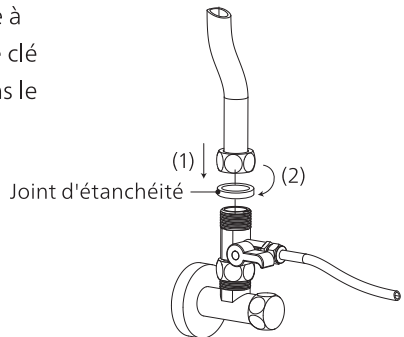
b. Insérez l'écrou de la soupape à bille à trois voies sur le tuyau en PE de 1/4" et insérez le tuyau dans le connecteur convexe de la soupape à bille à trois voies. Serrez l'écrou à l'aide d'une clé à molette.



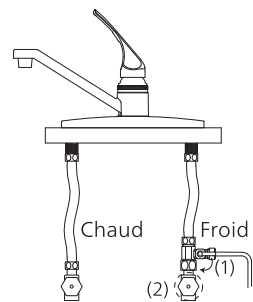
- c. Installez la soupape à bille à trois voies sur la soupape d'eau froide. N'oubliez pas le joint d'étanchéité à l'intérieur de la boule à trois voies pendant l'installation.



- d. Connectez le tuyau d'eau froide avec la soupape à bille à trois voies et la visser fermement avec une clé à molette. N'oubliez pas le joint d'étanchéité dans le tuyau d'eau froide pendant l'installation.



- e. Fermez la soupape à bille à trois voies. Allumez l'alimentation en eau froide. Essayez les connexions avec un mouchoir en papier pour voir s'il y a des fuites. Si le tissu reste sec, cela signifie que la soupape à bille à trois voies est installée correctement.

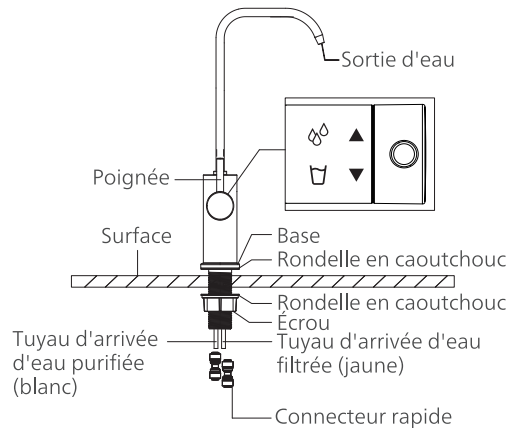


3. Installation du robinet

Remarque

Choisissez une position d'installation appropriée. L'environnement où le robinet est installé doit respecter toutes les conditions d'hygiène et de salubrité appropriées. Assurez-vous que le robinet repose à plat sur la surface de l'évier ou du comptoir.

- a. Percez un trou d'un diamètre de 26-35 mm. Sautez cette étape s'il y a déjà un trou dans l'évier ou sur la surface du comptoir.
- b. Installez le robinet en suivant le schéma. Vissez les écrous de la tige du robinet à la tige du robinet, et serrez-les bien.
Sous l'évier ou le comptoir, insérez les tuyaux d'entrée du robinet dans les connecteurs rapides et utilisez des pinces pour fixer les tuyaux.

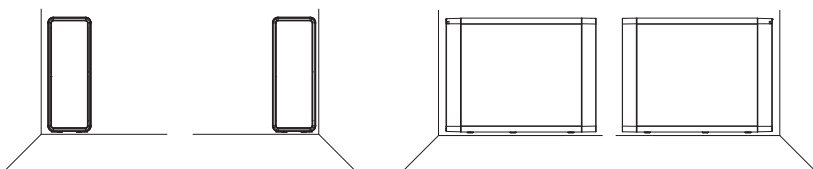


4. Installation du système

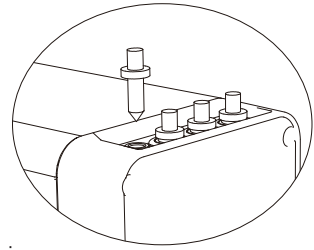
Remarque

Veuillez vérifier s'il y a suffisamment d'espace pour installer le système lui-même, ses accessoires, ses connexions, et pour l'entretien et la réparation. En aucun cas, le système ne doit être installé à l'extérieur. L'environnement où le système est installé doit respecter toutes les conditions d'hygiène et de salubrité appropriées. Éviter tout écoulement externe de liquides provenant des tuyaux ou des canalisations, etc. sur le système. Ce système doit être placé sur une surface stable et plane. Gardez le système à l'abri de la chaleur. Il ne doit pas être placé dans un endroit où il peut y avoir une fuite de gaz inflammable.

- a. Trouver un endroit approprié pour le système



b. maintenez l'anneau et retirer l'embout protecteur.



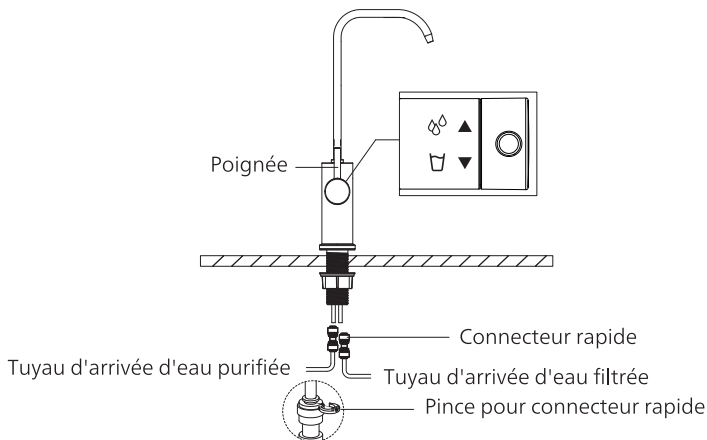
c. Connectez l'arrivée d'eau et la soupape à bille à trois voies.

Mesurez la longueur du tuyau de 1/4" dont vous avez besoin pour connecter le système et la soupape à bille à trois voies, et coupez-le en conséquence avec un coupe-tuyaux. Insérez l'autre extrémité du tuyau de 1/4" qui a été raccordé à la soupape à bille à trois voies dans le trou d'entrée d'eau situé au-dessus du système. Utilisez une pince pour fixer le tuyau au niveau du trou.

d. Connectez les sorties d'eau et le robinet.

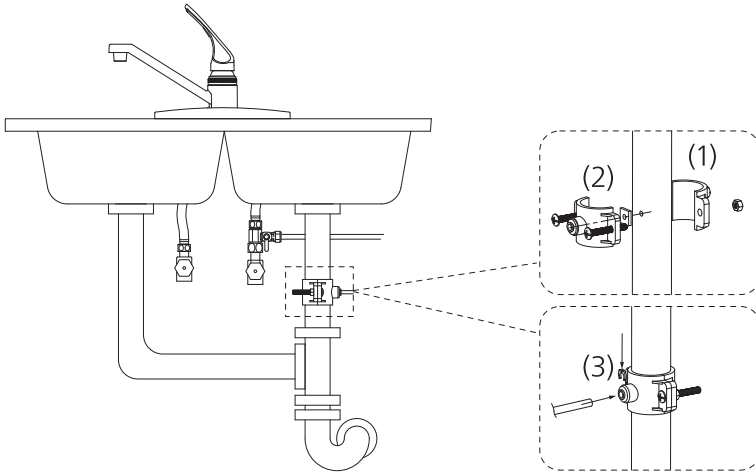
Mesurez la longueur du tuyau de 1/4" dont vous avez besoin pour connecter le système et le robinet, et coupez le tuyau de 1/4" avec un coupe-tuyaux. Insérez une extrémité du tuyau dans le connecteur rapide qui a été raccordé au tuyau d'arrivée d'eau purifiée (blanc) du robinet. Insérez l'autre extrémité du tuyau dans le trou de sortie de l'eau purifiée en haut du système jusqu'en bas. Utilisez des pinces de connecteurs rapides pour fixer les tuyaux.

Coupez un autre tuyau de 1/4" avec le coupe-tuyaux. Insérez une extrémité du tuyau dans le connecteur rapide qui a été raccordé au tuyau d'arrivée d'eau filtrée (jaune) du robinet. Insérez l'autre extrémité du tuyau dans le trou de sortie de l'eau filtrée en haut du système jusqu'en bas. Utilisez des pinces de connecteurs rapides pour fixer les tuyaux.



e. Raccorder la sortie d'eau de vidange et le connecteur de vidange

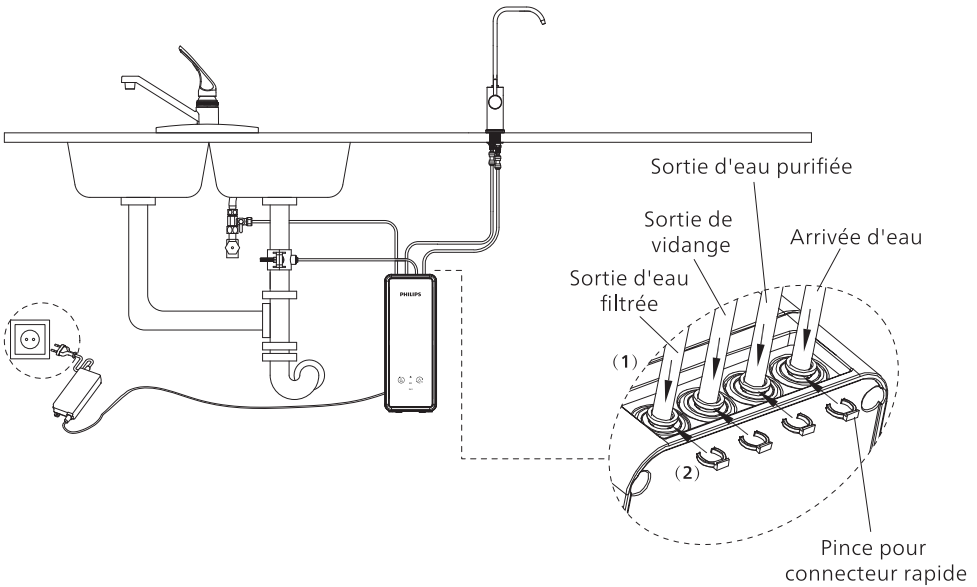
Choisissez un endroit approprié sur le tuyau d'évacuation pour percer un trou de 6,5 mm. Installez le connecteur d'évacuation en suivant le schéma. Serrez fermement les écrous. Coupez une section de tuyau de 1/4". Insérez l'une des extrémités du tuyau dans le trou de sortie de l'évacuation situé en haut du système jusqu'en bas. Utilisez une pince pour fixer le tuyau au niveau du trou. Insérez l'autre extrémité du tuyau dans le connecteur d'évacuation.



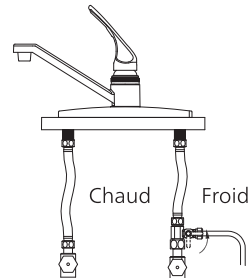
Remarque

- N'installez pas le connecteur d'évacuation sur le même tuyau de vidange que le broyeur à déchets.
- Ne pénétrez pas dans le côté opposé du tuyau lors du perçage du trou.

f. Connectez l'adaptateur d'alimentation au système. NE METTEZ pas encore la fiche dans la prise.



g. Vérifiez si le système est correctement installé et allumez la soupape à bille à trois voies.

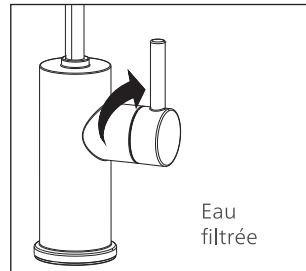
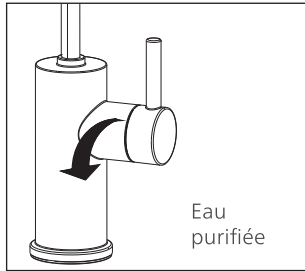


V. Utilisation du système

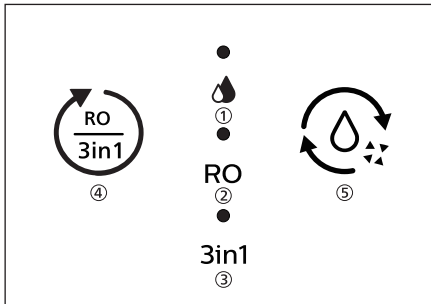
1. Avant la première utilisation

a. Branchez le système sur le secteur. Vous entendrez un bip, et tous les indicateurs s'allumeront pendant 3 secondes. Le système passe en mode de rinçage automatique. Essayez tous les joints et les raccords avec du tissu pour vérifier s'il y a des fuites. Si le tissu reste sec, cela signifie que le système est correctement installé. Si aucune autre opération n'est effectuée dans les 10 secondes suivant le rinçage automatique, le système passe en mode veille.

b. Une fois le rinçage automatique terminé, allumez l'eau purifiée (tournez la poignée du robinet dans le sens inverse des aiguilles d'une montre) pour laisser couler l'eau pendant 15 minutes. Après cela, fermez le robinet pendant au moins 10 secondes, puis rallumez l'eau purifiée pendant encore 15 minutes, ce qui permet de faire passer l'air et les particules de carbone dans les filtres. Après ceci, le système est prêt et vous pouvez commencer à profiter de l'eau purifiée et filtrée.



2. Interface utilisateur



- ① Indicateur d'état de fonctionnement
- ② Indicateur de durée d'exploitation du filtre RO
- ③ Indicateur de durée d'exploitation du filtre 3 en1
- ④ Bouton de réinitialisation
- ⑤ Bouton de rinçage

a. Indicateur d'état de fonctionnement :

Statut	Indicateur
Fonctionnement normal	Lumière bleue constante
Chasse d'eau	Lumière bleue clignotante
Erreur	Lumière rouge clignotante
Standby	Éteint

b. Indicateur de durée de vie du filtre

Statut	Indicateur	Alerte sonore
Plus de 14 jours	Lumière bleue constante	N/A
Moins de 14 jours	Lumière rouge clignotante	Il y aura des bips pendant 6 secondes après l'ouverture du robinet, vous rappelant de remplacer le filtre.
Le filtre a atteint la fin d'exploitation et devrait être remplacé immédiatement	Lumière rouge constante	Il y aura des bips sonores chaque fois que le robinet est ouvert, vous rappelant de remplacer le filtre.

c. Protection des heures supplémentaires

Si le système fonctionne constamment pendant 30 minutes, le système passe en mode de protection et s'arrête. Pendant que, l'indicateur d'état de fonctionnement clignote en rouge, vous entendez 15 bips. Débranchez le système, attendez une minute, puis rebranchez-le pour résoudre le problème.

d. Rinçage automatique

- Le système se vide automatiquement pendant 18 secondes lorsqu'il est mis sous tension.
- Le système se vide automatiquement pendant 6 secondes lorsqu'il a fonctionné pendant 5 minutes.
- Le système se vide automatiquement pendant 30 secondes lorsqu'il a été en mode veille pendant 72 minutes.

e. Bouton de rinçage

Vous pouvez rincer manuellement le système en appuyant sur le bouton de rinçage lorsque le système est en mode veille. Pendant le rinçage, appuyez à nouveau sur le bouton de rinçage pour l'arrêter.

f. Bouton de réinitialisation

Pour réinitialiser la durée d'exploitation du filtre, appuyez longuement sur le bouton de réinitialisation pendant 3 secondes. Vous entendez un bip et l'indicateur de la durée de fonctionnement du filtre RO clignote en bleu. Appuyez encore brièvement sur le bouton de réinitialisation pour sélectionner le filtre qui doit être réinitialisé.

Lorsque l'indicateur du filtre sélectionné clignote, appuyez longuement sur le bouton de réinitialisation pendant 5 secondes. Vous entendrez un bip, et l'indicateur du filtre sélectionné sera en lumière bleue constante après avoir clignoté deux fois. Cela signifie que la durée d'exploitation du filtre a été réinitialisée avec succès.

VI. Maintenance

1. Entretien courant

- Les solvants organiques tels que l'essence ne doivent pas être utilisés pour essuyer le boîtier de l'appareil. Si un nettoyage est nécessaire, veuillez essuyer doucement la surface du produit avec un chiffon humide après l'avoir débranché de l'alimentation électrique.
- Si le système n'est pas utilisé pendant plus de 2 jours, allumez l'eau purifiée et laissez couler l'eau pendant au moins 5 minutes pour rincer les filtres et le système.
- Si le système ne sera pas utilisé pendant une période prolongée (≥ 7 jours), sortez les cartouches filtrantes, scellez-les avec des emballages en plastique et stockez-les au réfrigérateur (pas au congélateur).
Éteignez la soupape à bille à trois voies, ouvrez l'eau purifiée pour vider le système, et Éteignez l'alimentation. Avant de l'utiliser à nouveau, allumez l'eau purifiée pendant au moins 10 minutes pour rincer les filtres et le système.

2. Durée d'exploitation du filtre

Remarque

Pour une performance optimale, veuillez changer votre cartouche de filtre en fonction de l'indicateur de durée de vie du filtre, ou du cycle de remplacement du filtre suggéré ci-dessous. Lorsqu'un débit nettement inférieur est observé, nous recommandons de changer également les filtres.

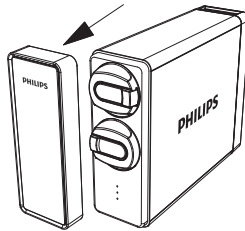
Ce système ne peut fonctionner qu'avec les filtres Philips.

Filtre	Code du modèle de filtre	Code du modèle du système	Durée d'exploitation du filtre
Filtre composé 3 en 1	AUT812	AUT4030R400 AUT4030R600	Jusqu'à 12 mois*.
Filtre RO	AUT870R400	AUT4030R400	Jusqu'à 36 mois*.
Filtre RO	AUT870R600	AUT4030R600	Jusqu'à 36 mois*.

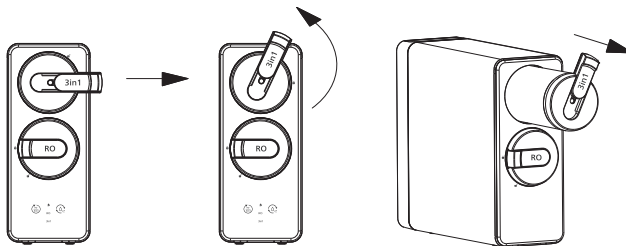
* La durée de vie réelle de la cartouche filtrante dépend de la qualité de l'eau du robinet et de l'utilisation quotidienne. Le cycle de remplacement recommandé est une moyenne basée sur les différentes qualités locales de l'eau du robinet. Si la qualité de l'eau du robinet locale est inférieure à la moyenne, la durée de vie réelle de la cartouche sera différente du cycle de remplacement recommandé. Si la cartouche du filtre est bloquée, veuillez la remplacer.

3. Remplacement de la cartouche filtrante

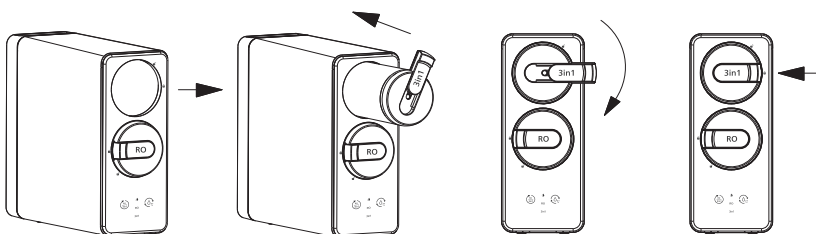
- a. Coupez l'alimentation et la soupape à bille à trois voies avant de remplacer les cartouches filtrantes.
- b. Démontez le couvercle avant.



- c. Retirez le levier du filtre à remplacer, tournez-le dans le sens inverse des aiguilles d'une montre et retirez le filtre.



- d. Retirez l'emballage du nouveau filtre et insérez le nouveau filtre dans le système (tirez le levier du filtre, alignez-le avec l'icône de déverrouillage sur le système et poussez-le jusqu'au bout) ; tournez le levier dans le sens des aiguilles d'une montre jusqu'au bout et repoussez-le (assurez-vous que le levier est aligné avec l'icône de verrouillage sur le système)



- e. Ouvrez la soupape à bille à trois voies et reconnectez le courant. Si le filtre qui a été remplacé est un filtre RO, allumez l'eau purifiée (tournez la poignée du robinet dans le sens inverse des aiguilles d'une montre) et laissez couler l'eau pendant 15 minutes. Après cela, éteignez le robinet pendant au moins 10 secondes, puis rallumez l'eau purifiée pendant 15 minutes supplémentaires. S'il s'agit du filtre 3 en 1, allumez l'eau filtrée et laissez couler l'eau pendant 10 minutes.
- f. Réinitialiser la durée d'exploitation du filtre selon le chapitre V.

VII. Précautions

1. Avertissement :

- Utilisez toujours l'eau du robinet municipale comme source d'eau. N'utilisez pas d'eau microbiologiquement dangereuse ou de qualité douteuse sans une désinfection adéquate avant ou après le système.
- Ce système n'est pas destiné à être utilisé par des personnes (y compris les enfants) dont les capacités physiques, sensorielles ou mentales sont réduites, ou qui manquent d'expérience et de connaissances, à moins qu'elles n'aient reçu une surveillance ou des instructions concernant l'utilisation de l'appareil par une personne responsable de leur sécurité. Les enfants doivent être surveillés pour s'assurer qu'ils ne jouent pas avec le système.
- Assurez-vous de manipuler le système avec douceur et précaution. N'essayez pas de modifier ou de réparer le système vous-même, sinon la garantie devient caduque.
- Cet appareil est destiné à un usage domestique uniquement.
- La température de l'eau à l'orifice d'entrée du système doit être comprise entre 5 et 38°C. Lorsque la température de l'eau à l'orifice d'entrée dépasse 38°C, le filtre pourrait être endommagé et devenir invalide. Si la température de l'eau à l'orifice d'entrée est inférieure à 5°C, cela peut provoquer le gel et la rupture des pièces du système, entraînant une fuite d'eau.
- N'inversez pas l'ordre d'installation des cartouches filtrantes afin de ne pas affecter les performances de filtration du système.
- Si le système est anormal ou défectueux, cessez immédiatement de l'utiliser. Fermez l'orifice d'entrée d'eau et allumez le robinet pour vider le système. Les événements des fautes incluent :

- Fuites
- Le produit est fissuré ou endommagé
- Il y a un bruit anormal ou une odeur de brûlé.
- La fiche ou le cordon d'alimentation est anormalement chaud.
- La machine ne fonctionne pas

Veuillez contacter le service consommateurs pour une inspection immédiate.

- Si vous n'utilisez pas le système pendant une période prolongée, éteignez l'alimentation en eau, et allumez le robinet pour libérer la pression interne afin d'éviter d'endommager le système.

VIII. Dépannage

Problème	Causes possibles	Solutions
Aucune eau ne vient à partir du robinet.	La soupape d'eau froide ou la soupape à bille à trois voies est éteinte.	Allumez les soupapes.
	Le système n'est pas connecté à l'alimentation.	Vérifiez si l'adaptateur d'alimentation est correctement connecté au système et à la prise de courant.
Le débit est plus lent.	Le filtre est bloqué.	Sustituya el filtro.
	La pression d'entrée d'eau est faible.	Attendez que la pression de l'eau à l'orifice d'entrée se stabilise, ou installez une surpression avant le système si la pression d'entrée de l'eau est constamment inférieure à 0,1 MPa.
Mauvaise qualité d'eau à l'orifice de sortie.	Le filtre a atteint la fin de sa durée d'exploitation.	Remplacez le filtre.
	Le système n'a pas été utilisé pendant un certain temps.	Allumez l'eau purifiée et laissez couler l'eau pendant 5 minutes.
	La qualité de l'eau à l'orifice d'entrée est mauvaise.	Utilisez toujours l'eau du robinet municipale comme source d'eau. N'utilisez pas d'eau microbiologiquement dangereuse ou de qualité inconnue sans une désinfection adéquate avant ou après le système.

L'indicateur d'état de fonctionnement s'allume en rouge, et des bips sont émis.	Le système a filtré l'eau en continu pendant 30 minutes.	Débranchez le système, attendez une minute, puis rebranchez-le pour résoudre le problème.
Les indicateurs de durée d'exploitation du filtre ne s'allument pas lorsque le robinet est ouvert.	La carte de circuit imprimé est endommagée.	Contactez le service client.
Le bouton de réinitialisation ne fonctionne pas.	Je n'ai pas appuyé sur le bouton assez longtemps pour déclencher la réinitialisation.	Appuyez longuement sur le bouton de réinitialisation pendant 3 secondes pour sélectionner le filtre qui doit être réinitialisé ; Appuyez longuement sur le bouton de réinitialisation pendant 5 secondes pour réinitialiser le filtre sélectionné.
Le bouton de rinçage ne fonctionne pas.	Le module de boutons est endommagé.	Contactez le service client.
Les indicateurs ne s'allument pas.	Le système n'est pas connecté à l'alimentation.	Vérifiez si l'adaptateur d'alimentation est correctement connecté au système et à la prise de courant.

IX. Garantie et service

Si vous avez besoin d'informations ou si vous rencontrez des problèmes, veuillez consulter le site www.philips.com ou contacter le centre d'assistance aux consommateurs de votre pays. S'il n'existe pas de centre d'assistance aux consommateurs dans votre pays, adressez-vous à un revendeur local. Dans les deux ans suivant la date d'achat, vous bénéficierez d'un service de garantie gratuit pour tout dommage causé par le processus de fabrication, ou les composants dans des conditions de fonctionnement normales confirmées par notre service de maintenance. Le service de garantie ne comprend pas les composants consommables fréquemment remplacés, les dispositifs auxiliaires, les frais de transport et le service porte-à-porte. Veuillez montrer la preuve d'achat au personnel de service lors de la maintenance.

X. Contenu de l'emballage

Système (1pc de filtre 3 en 1 et 1pc de filtre RO inclus)	1X
Adaptateur électrique avec fiche	1X
Soupape à bille à trois voies	1X
Connecteur rapide	2X
Pince pour connecteur rapide 1/4	8X
Tuyau PE 1/4"	1X
Robinet	1X
Soupape de sécurité	1X
Connecteur d'évacuation	1X
Manuel d'utilisation	1X

Indice

I. Introduzione al prodotto	58
-----------------------------	----

II. Specifiche del prodotto	59
-----------------------------	----

III. Riepilogo del prodotto e illustrazione dell'installazione	60
---	----

IV. Installazione	61
Preparativi prima dell'installazione	62
Installazione della valvola a sfera a tre vie	62
Installazione del rubinetto	64
Installazione del sistema	64

V. Utilizzo del sistema	67
Prima del primo utilizzo	67
Interfaccia utente	68

VI. Manutenzione	70
Manutenzione	70
ordinaria Durata del filtro	70
Sostituzione della cartuccia del filtro	71

VII. Precauzioni	72
Avvertenza	72

VIII. Risoluzione dei problemi	73
--------------------------------	----

IX. Garanzia e Assistenza	74
---------------------------	----

X. Contenuto della confezione	75
-------------------------------	----



Installazione

I. Introduzione al prodotto

Congratulazioni per l'acquisto e benvenuto in Philips! Il nostro sistema di filtrazione dell'acqua ad osmosi inversa sotto il lavandino non solo ha un'elevata portata di filtrazione, che garantisce che ogni goccia d'acqua corrente venga filtrata, ma vanta anche un design ultra-compatto e senza serbatoio, che consente di risparmiare molto spazio in cucina. La membrana a osmosi inversa ha un livello di filtrazione profonda fino a 0,0001 micron, capace di rimuovere con efficacia virus, batteri, metalli pesanti, pesticidi, durezza dell'acqua, composti organici volatili, cloro e altro ancora, garantendo un'acqua dal sapore eccellente.*


Prima di utilizzare l'apparecchio, leggere attentamente il presente manuale per l'utente. Conservalo per consultazioni future.

Nota:

L'acqua erogata dai sistemi a osmosi inversa ha un basso contenuto di minerali. I sali minerali necessari al corpo umano sono forniti dagli alimenti e, in misura minore, dall'acqua che beviamo.

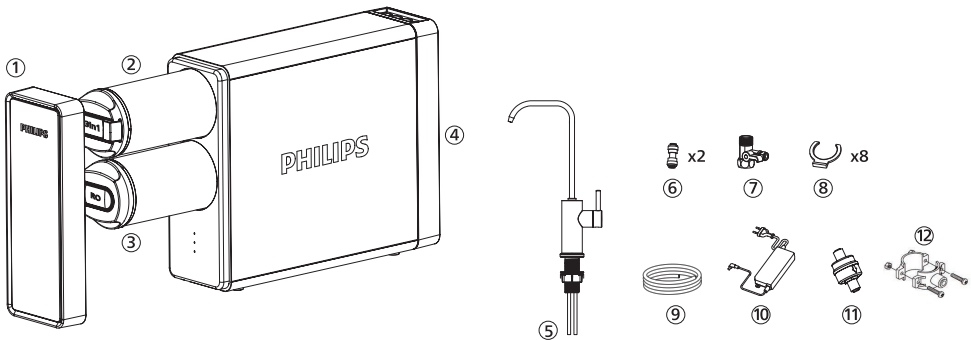
* Le sostanze rimosse o ridotte da questo sistema non sono necessariamente presenti nell'acqua di tutti gli utenti.

II. Specifiche del prodotto

Nome del prodotto	Acqua ad osmosi inversa Philips sotto il lavandino sistema di filtrazione	
Modello di prodotto	AUT4030R400	AUT4030R600
Flusso basso di acqua filtrata	2 litri/minuto	
Flusso basso di acqua depurata	1,05 litri/minuto	1,57 litri/minuto
Capacità di filtrazione	Filtro 3in1: 6.000 litri Filtro RO: 11.000 litri	
Pressione dell'acqua in ingresso	0,1- 0,4 MPa**	
Temperatura dell'acqua in ingresso	5°C - 38°C	
Tensione nominale	24V 	
Potenza nominale	55W	70W
TDS massimo dell'acqua in ingresso	1500 ppm***	
Durezza massima dell'acqua in ingresso	15 °fH***	
Peso netto	6,8 kg	7.2 kg
Dimensioni	390*114*303.5mm	
Fonte d'acqua applicabile	Acqua di rubinetto comunale che soddisfa tutti i requisiti della Direttiva europea sull'acqua per il consumo umano 98/83 e le relative trasposizioni nazionali nei vari Stati membri dell'UE.	

- ** Quando la pressione dell'acqua in ingresso supera lo 0,4 MPa è necessario installare una valvola di sicurezza prima del sistema. Quando la pressione dell'acqua in ingresso è inferiore allo 0,1 MPa, è necessario installare un elevatore di pressione prima del sistema. La valvola di scarico della pressione è inclusa nel sacchetto degli accessori, mentre l'elevatore di pressione deve essere acquistato separatamente.
- *** Se la salinità dell'acqua in ingresso supera i 1500 ppm o la durezza supera i 15 °fH, la durata dei filtri può essere compromessa. Consultare con il rivenditore l'installazione di prefiltri prima del sistema.

III. Riepilogo del prodotto e illustrazione dell'installazione



- | | |
|---------------------|-------------------------------|
| ① Copertina | ⑦ Valvola a sfera a tre vie |
| ② Filtro 3in1 | ⑧ Clip per connettore rapido |
| ③ Filtro RO | ⑨ Tubo PE da 1/4" (bianco) |
| ④ Unità principale | ⑩ Adattatore di alimentazione |
| ⑤ Rubinetto | ⑪ Valvola di sovrappressione |
| ⑥ Connettore rapido | ⑫ Connettore di scarico |

IV. Installazione

Nota:

- Prima dell'installazione, è importante verificare le condizioni del sistema per assicurarsi che non sia stato danneggiato durante il trasporto.
- Disimballare il sistema e i suoi accessori. Rimuovere il materiale di protezione dell'imballaggio. Per l'imballaggio sono stati utilizzati materiali riciclabili che devono essere smaltiti negli appositi contenitori per il riciclaggio o presso lo specifico centro di riciclaggio locale.

Avvertenza: Tenere i sacchetti di plastica fuori dalla portata dei bambini perché potrebbero essere pericolosi.

- Controllare se manca qualcosa della lista di imballaggio e del riepilogo.
- Dato che il sistema migliorerà la qualità dell'acqua potabile, tutti gli strumenti da utilizzare nel processo di installazione devono essere puliti, privi di ruggine e grasso.
- Il processo di installazione deve essere eseguito in condizioni igieniche adeguate, prendendo tutte le precauzioni necessarie per quanto riguarda i materiali e i componenti che entreranno in contatto con l'acqua da trattare o da consumare.
- Per evitare la contaminazione esterna del sistema attraverso manipolazioni improprie, utilizzare guanti, gel igienizzanti e lavarsi le mani ogni volta che è necessario durante il processo di installazione, il primo utilizzo e la manutenzione del sistema.
- Il sistema e l'installazione devono essere conformi alle normative locali vigenti.
- Questo prodotto non può essere smaltito insieme agli altri rifiuti domestici.

Al termine del ciclo di vita il prodotto deve essere restituito dove è stato acquistato o a un centro di riciclaggio locale, specificando che contiene componenti elettrici ed elettronici. La raccolta e il trattamento appropriati dei prodotti non più utilizzabili contribuiscono alla conservazione delle risorse naturali ed evitano potenziali rischi per la salute pubblica.



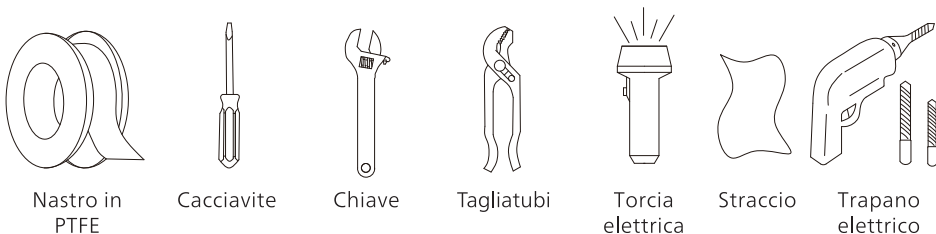
1. Preparativi prima dell'installazione

Scegliere una posizione adatta dove installare il sistema;

Assicurarsi che ci sia una presa di corrente vicino alla posizione dell'installazione;

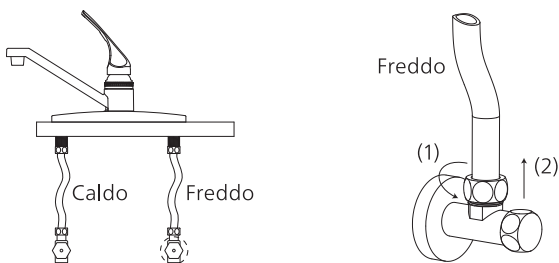
Controllare la lista di imballaggio e assicurarsi di avere tutti gli accessori contenuti nella lista;

Preparare gli strumenti necessari per l'installazione:

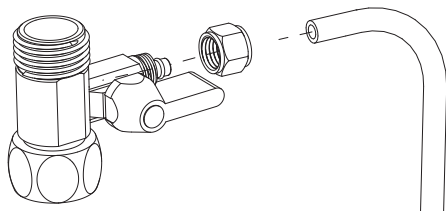


2. Installazione della valvola a sfera a tre vie

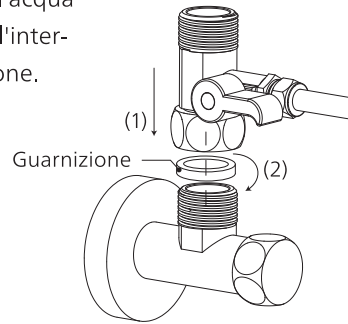
a. Chiudere l'erogazione dell'acqua fredda. Aprire il rubinetto dell'acqua fredda della cucina per scaricare la pressione e permettere all'acqua di defluire dalla condotta. Scollegare il tubo dell'acqua fredda dalla valvola dell'acqua fredda.



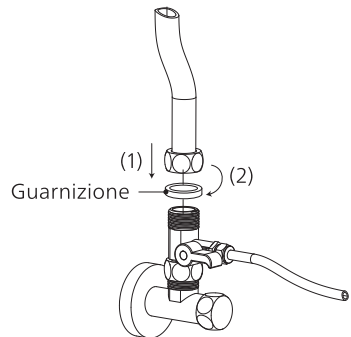
b. Inserire il dado della valvola a sfera a tre vie sul tubo PE da 1/4" e inserire il tubo nel connettore convesso della valvola a sfera a tre vie. Serrare il dado con una chiave.



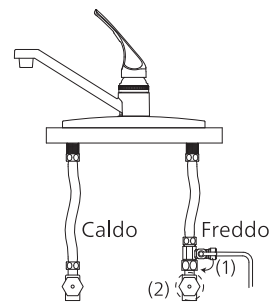
c. Installare la valvola a sfera a tre vie sulla valvola dell'acqua fredda. Attenzione a non smarrire la guarnizione all'interno della valvola a sfera a tre vie durante l'installazione.



d. Collegare il tubo dell'acqua fredda con la valvola a sfera a tre vie e avvitare saldamente usando una chiave inglese. Attenzione a non smarrire la guarnizione all'interno del tubo dell'acqua fredda durante l'installazione.



e. Chiudere la valvola a sfera a tre vie. Aprire l'erogazione dell'acqua fredda. Strofinare i raccordi con un fazzoletto per verificare se ci sono perdite. Se il tessuto rimane asciutto, significa che la valvola a sfera a tre vie è installata correttamente.



3. Installazione del rubinetto

Nota:

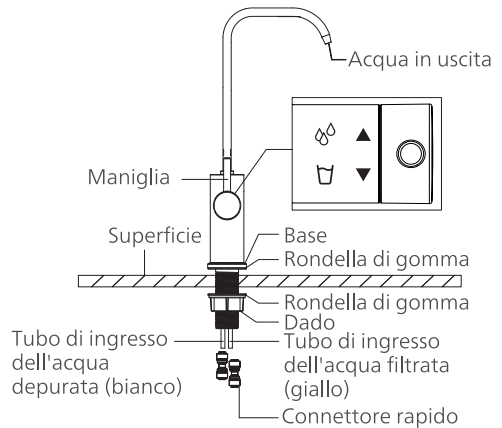
Selezionare una posizione di installazione adeguata. L'ambiente in cui viene installato il rubinetto deve rispettare le condizioni igienico-sanitarie appropriate.

Assicurarsi che il rubinetto sia posizionato in piano sulla superficie del lavandino o del piano di lavoro.

a. Praticare un foro del diametro di 26-35 mm. Saltare questo passaggio se il lavandino o la superficie del piano di lavoro sono già forati.

b. Installare il rubinetto secondo lo schema. Avvitare i dadi della canna del rubinetto alla canna del rubinetto, stringendoli bene.

Sotto il lavandino o il piano di lavoro, inserire i tubi di ingresso del rubinetto nei connettori rapidi e fissare i tubi con le clip.



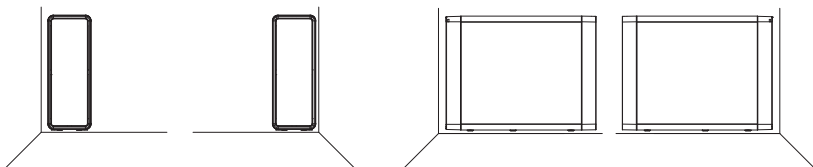
4. Installazione del sistema

Nota:

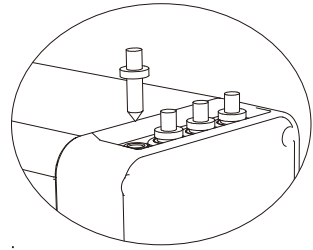
Verificare che vi sia spazio sufficiente per l'installazione del sistema stesso, dei suoi accessori, dei raccordi e per gli interventi di manutenzione e riparazione. In nessun caso il sistema deve essere installato all'esterno. L'ambiente in cui viene installato il sistema deve rispettare le condizioni igienico-sanitarie appropriate. Evitare che liquidi esterni, provenienti da tubature, scarichi ecc. gocciolino sul sistema.

Questo sistema deve essere collocato su una superficie stabile e piatta. Tenere il sistema lontano dal calore. Non deve essere posizionati in ambienti con possibili perdite di gas infiammabili.

a. Trovare un posto adeguato per il sistema



b. Premere l'anello verso il basso ed estrarre i tappi.



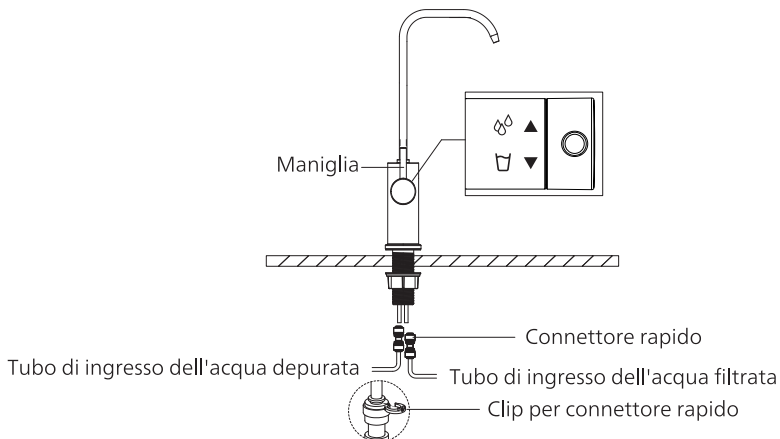
c. Collegare l'ingresso dell'acqua e la valvola a sfera a tre vie.

Misurare la lunghezza del tubo da 1/4" necessario per collegare il sistema e la valvola a sfera a tre vie e tagliarlo di conseguenza con un tagliatubi. Inserire l'altra estremità del tubo da 1/4" collegato alla valvola a sfera a tre vie nel foro di ingresso dell'acqua sulla parte superiore del sistema. Utilizzare una clip per fissare il tubo al foro.

d. Collegare le uscite dell'acqua e il rubinetto.

Misurare la lunghezza del tubo da 1/4" necessario per collegare il sistema e il rubinetto, tagliare il tubo da 1/4" con un tagliatubi. Inserire un'estremità del tubo nel connettore rapido che è stato collegato al tubo di ingresso dell'acqua depurata (bianco) del rubinetto. Inserire fino in fondo l'altra estremità del tubo nel foro di uscita dell'acqua depurata sulla parte superiore del sistema. Per fissare i tubi, utilizzare le clip di raccordo rapido.

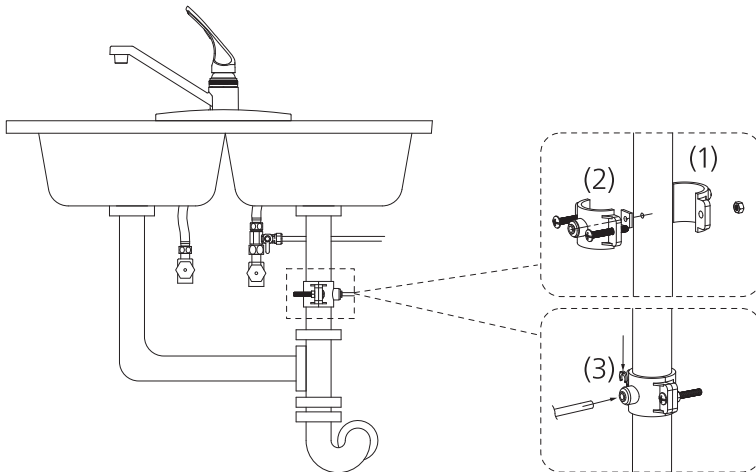
Tagliare un altro tubo da 1/4" con il tagliatubi. Inserire un'estremità del tubo nel connettore rapido che è stato collegato al tubo di ingresso dell'acqua filtrata (giallo) del rubinetto. Inserire fino in fondo l'altra estremità del tubo nel foro di uscita dell'acqua filtrata sulla parte superiore del sistema. Per fissare i tubi, utilizzare le clip di raccordo rapido.



e. Collegare l'uscita dell'acqua di scarico e il connettore di scarico

Scegliere una posizione adatta sul tubo di scarico per praticare un foro di 6,5 mm.

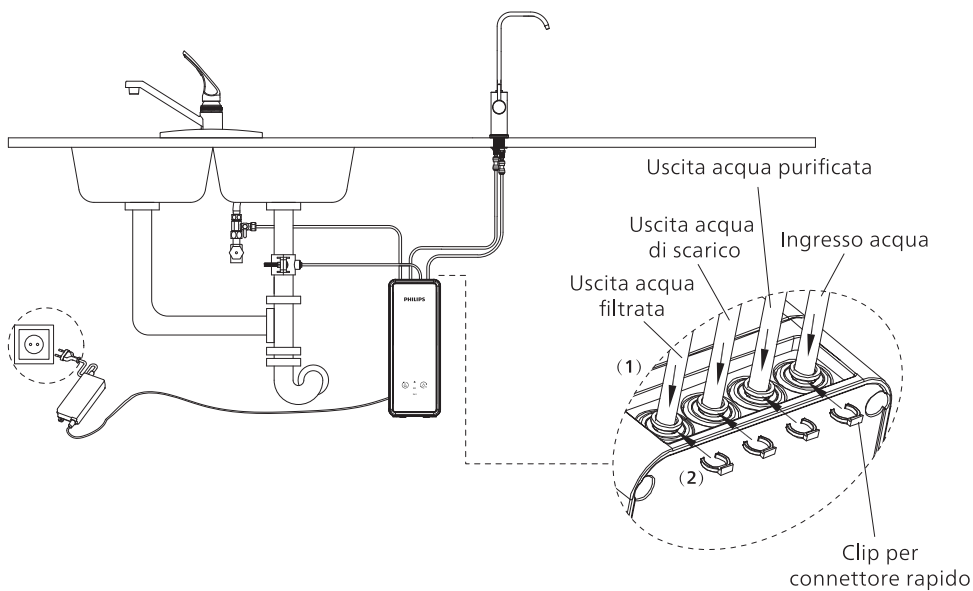
Installare il connettore di scarico secondo lo schema. Serrare saldamente i dadi. Tagliare una sezione di tubo da 1/4". Inserire fino in fondo un'estremità del tubo nel foro di uscita dello scarico sulla parte superiore del sistema. Utilizzare una clip per fissare il tubo al foro. Inserire l'altra estremità del tubo nel connettore di scarico.



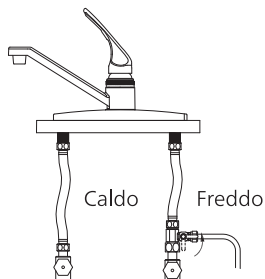
Nota:

- Non installare il raccordo di scarico sullo stesso tubo di scarico del tritarifiuti.
- Fare attenzione a non penetrare nel lato opposto del tubo quando si effettua la perforazione.

f. Collegare l'adattatore di alimentazione al sistema. NON inserire ancora la spina nella presa.



g. Controllare che il sistema sia installato correttamente e aprire la valvola a sfera a tre vie.

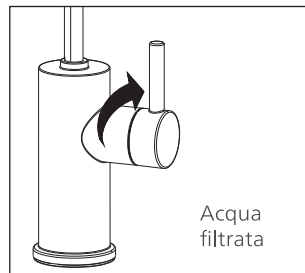
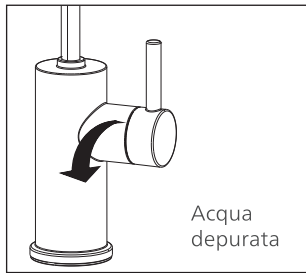


V. Utilizzo del sistema

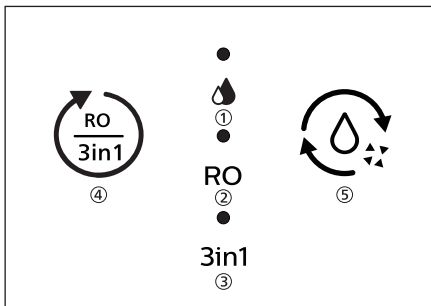
1. Prima del primo utilizzo

a. Collegare il sistema all'alimentazione. Si udrà un segnale acustico e tutti gli indicatori si accenderanno per 3 secondi. Il sistema entra in modalità di risciacquo automatico. Strofinare tutti i giunti e i raccordi con un fazzoletto per verificare se ci sono perdite. Se il fazzoletto rimane asciutto, significa che il sistema è stato installato correttamente. In assenza di altre operazioni entro i 10 secondi successivi al risciacquo automatico, il sistema passa in modalità standby.

b. Al termine del risciacquo automatico, aprire l'acqua depurata (ruotando la maniglia del rubinetto in senso antiorario) e lasciare scorrere l'acqua per 15 minuti. Dopodiché, chiudere il rubinetto per almeno 10 secondi e riaprire l'acqua depurata per altri 15 minuti, per far passare l'aria e le particelle di carbonio attraverso i filtri. A questo punto il sistema è pronto e si può iniziare a usufruire dell'acqua depurata e filtrata.



2. Interfaccia utente



- ① Indicatore dello stato di funzionamento
- ② Indicatore della durata del filtro RO
- ③ Indicatore della durata del filtro 3in1
- ④ Pulsante di ripristino
- ⑤ Pulsante di risciacquo

a. Indicatore dello stato di funzionamento:

Stato	Indicatore
Funzionamento normale	Luce blu fissa
Risciacquo	Luce blu lampeggiante
Errore	Luce rossa lampeggiante
Standby	Spento

b. Indicatore della durata del filtro

Stato	Indicatore	Allarme acustico
Più di 14 giorni	Luce blu fissa	N/D
Meno di 14 giorni	Luce rossa lampeggiante	Un segnale acustico di 6 secondi dopo all'apertura del rubinetto, ti ricorderà di sostituire il filtro.
Il filtro ha raggiunto la fine del suo ciclo e dovrebbe essere sostituito immediatamente	Luce rossa costante	Si sentirà un segnale acustico ogni volta che il rubinetto viene aperto per ricordarti di sostituire il filtro.

c. Protezione dalle ore supplementari

Se il sistema funziona costantemente per 30 minuti, passa in modalità di protezione e si spegne. Nel frattempo, la luce rossa dell'indicatore dello stato di funzionamento lampeggia e si sentono 15 segnali acustici. Scollegare il sistema, attendere 1 minuto e ricollegarlo per eliminare il problema.

d. Risciacquo automatico

- Il sistema si sciacqua automaticamente per 18 secondi all'accensione.
- Il sistema si sciacqua automaticamente per 6 secondi dopo 5 minuti di funzionamento.
- Il sistema si sciacqua automaticamente per 30 secondi quando è rimasto in standby per 72 ore.

e. Pulsante di risciacquo

Per effettuare il risciacquo manuale del sistema premere il pulsante di risciacquo quando il sistema è in modalità standby. Per interrompere il risciacquo premere nuovamente il pulsante di risciacquo durante l'operazione.

f. Pulsante di ripristino

Per ripristinare la durata del filtro, tenere premuto a lungo il pulsante di ripristino per 3 secondi. Si sentirà un segnale acustico e l'indicatore della durata del filtro RO lampeggerà in blu. Premere brevemente il pulsante di ripristino per selezionare il filtro da ripristinare.

Quando l'indicatore del filtro selezionato lampeggia, tenere premuto a lungo il pulsante di ripristino per 5 secondi. Si udrà un segnale acustico e la luce blu dell'indicatore del filtro selezionato rimarrà accesa fissa dopo aver lampeggiato due volte. Ciò significa che la durata del filtro è stata ripristinata con successo.

VI. Manutenzione

1. Manutenzione ordinaria

- Non usare solventi organici come la benzina per pulire l'involucro del dispositivo. Quando è necessario pulirlo, pulire delicatamente la superficie del prodotto con un panno umido dopo averlo scollegato dall'alimentazione.
- Se il sistema non viene utilizzato per più di 2 giorni, aprire l'acqua depurata e lasciarla scorrere per almeno 5 minuti per lavare i filtri e il sistema.
- Se il sistema non viene utilizzato per un periodo prolungato (≥ 7 giorni), estrarre le cartucce filtranti, sigillarle con un involucro di plastica e conservarle in frigorifero (non nel congelatore).
Aprire la valvola a sfera a tre vie, accendere l'acqua depurata per svuotare il sistema e spegnere l'alimentazione. Prima di riutilizzarlo, accendere l'acqua depurata per almeno 10 minuti per lavare i filtri e il sistema.

2. Durata del filtro

Nota:

Per assicurare prestazioni migliori, si prega di sostituire la cartuccia filtro in base all'indicatore della durata o al ciclo di sostituzione suggerito. Se si osserva una riduzione significativa del flusso basso, si consiglia di sostituire anche i filtri.

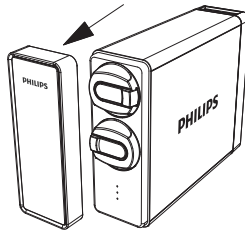
Questo sistema funziona solo con i filtri Philips.

Filtro	Codice del modello di filtro	Codice del modello di sistema	Durata del filtro
Filtro composto 3in1	AUT812	AUT4030R400 AUT4030R600	Fino a 12 mesi*
Filtro RO	AUT870R400	AUT4030R400	Fino a 36 mesi*
Filtro RO	AUT870R600	AUT4030R600	Fino a 36 mesi*

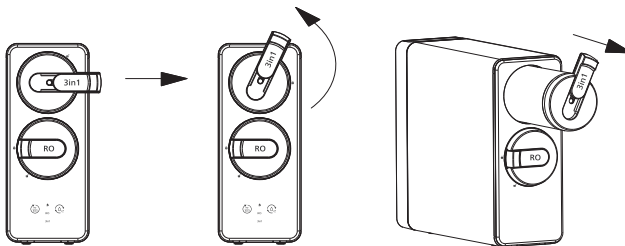
* La durata effettiva della cartuccia filtrante dipende dalla qualità dell'acqua di rubinetto locale e dall'uso quotidiano. Il ciclo di sostituzione consigliato è una media basata sulla qualità dell'acqua di rubinetto locale. Se la qualità dell'acqua di rubinetto locale è inferiore alla media, la durata effettiva della cartuccia differisce dal ciclo di sostituzione consigliato. Sostituire la cartuccia del filtro se è bloccata.

3. Sostituzione della cartuccia del filtro

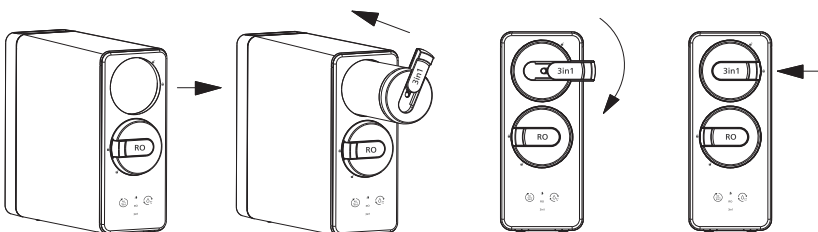
- a. Spegnere l'alimentazione e chiudere la valvola a sfera a tre vie prima di sostituire le cartucce filtranti.
- b. Rimuovere il coperchio anteriore.



- c. Estrarre la leva del filtro da sostituire, ruotarla in senso antiorario ed estrarre il filtro.



- d. Rimuovere la confezione del nuovo filtro e inserire il filtro nel sistema (estrarre la leva del filtro, allinearla all'icona di sblocco sul sistema e spingerla fino in fondo); ruotare la leva in senso orario fino in fondo e spingerla indietro (assicurarsi che la leva sia allineata all'icona di blocco sul sistema).



- e. Aprire la valvola a sfera a tre vie e ricollegare l'alimentazione. Se il filtro sostituito è un filtro RO, aprire l'acqua depurata (ruotando la maniglia del rubinetto in senso antiorario) e lasciare scorrere l'acqua per 15 minuti. Dopodiché, chiudere il rubinetto per almeno 10 secondi e riaprire l'acqua depurata per altri 15 minuti. Se è un 3in1, aprire l'acqua filtrata e lasciarla scorrere per 10 minuti.
- f. Ripristinare la durata del filtro secondo il capitolo V.

VII. Precauzioni

1. Avvertenza

- Utilizzare sempre l'acqua del rubinetto comunale come fonte d'acqua. Non utilizzare acqua microbiologicamente non sicura o di qualità sconosciuta senza un'adeguata disinfezione prima o dopo il sistema.
- Questo sistema non è destinato all'uso da parte di persone (bambini compresi) con ridotte capacità fisiche, sensoriali o mentali, o con scarsa esperienza e conoscenza, a meno che non siano sotto la supervisione o le istruzioni sull'uso dell'apparecchio da parte di una persona responsabile della loro sicurezza. I bambini devono essere sorvegliati per evitare che giochino con il sistema.
- Assicurarsi di maneggiare il sistema con delicatezza e cautela. Non tentare di modificare o riparare autonomamente il sistema, altrimenti la garanzia non sarà più valida.
- Questo dispositivo è destinato esclusivamente all'uso domestico.
- La temperatura dell'acqua in ingresso al sistema deve essere compresa tra 5 e 38°C. Se la temperatura dell'acqua in ingresso supera i 38°C, il filtro potrebbe danneggiarsi e non essere più valido. Se la temperatura dell'acqua in ingresso è inferiore a 5°C, può causare il congelamento e la rottura delle componenti del sistema, con conseguenti perdite d'acqua.
- Non invertire l'ordine di installazione delle cartucce filtranti per non compromettere le prestazioni del sistema.
- Se il sistema presenta anomalie o guasti, interrompere immediatamente l'utilizzo. Chiudere la valvola di ingresso dell'acqua e aprire il rubinetto per svuotare il sistema. I guasti includono:

- Perdite
- Il prodotto è incrinato o danneggiato
- Si avverte un suono anomalo o un odore di bruciato.
- La spina di alimentazione o il cavo di alimentazione sono esageratamente caldi
- La macchina non funziona

Contattare immediatamente l'assistenza clienti per un controllo.

- Se non si utilizza il sistema per un periodo prolungato, chiudere l'erogazione dell'acqua e aprire il rubinetto per scaricare la pressione interna ed evitare il danneggiamento del sistema.

VIII. Risoluzione dei problemi

Problema	Possibili cause	Soluzioni
Non esce l'acqua dal rubinetto.	Il rubinetto dell'acqua fredda o la valvola a sfera a tre vie sono chiusi.	Aprire le valvole.
	Il sistema non è collegato all'alimentazione.	Verificare che l'adattatore di alimentazione sia collegato correttamente al sistema e alla presa di corrente.
Il flusso basso diventa più lento.	Il filtro è bloccato.	Sostituire il filtro.
	La pressione dell'acqua in ingresso è bassa.	Attendere che la pressione dell'acqua in ingresso si stabilizzi, oppure installare un pressurizzatore prima del sistema se la pressione dell'acqua in ingresso è costantemente inferiore a 0,1 MPa.
Scarsa qualità dell'acqua in uscita.	Il filtro ha esaurito la sua durata.	Sostituire il filtro.
	Il sistema non è stato utilizzato per qualche tempo.	Aprire l'acqua depurata e lasciarla scorrere per 5 minuti.
	La qualità dell'acqua in ingresso è scarsa.	Utilizzare sempre l'acqua del rubinetto comunale come fonte d'acqua. Non utilizzare acqua microbiologicamente non sicura o di qualità sconosciuta senza un'adeguata disinfezione prima o dopo il sistema.

La luce rossa dell'indicatore dello stato di funzionamento si accende e vengono emessi dei segnali acustici.	Il sistema ha filtrato l'acqua ininterrottamente per 30 minuti.	Scollegare il sistema, attendere 1 minuto e ricollegarlo per eliminare il problema.
Gli indicatori di durata del filtro non si accendono quando si apre il rubinetto.	La scheda PCB è danneggiata.	Contattare l'assistenza clienti.
Il pulsante di ripristino non funziona.	Il pulsante non è stato premuto abbastanza a lungo per far attivare il ripristino.	Tenere premuto a lungo il pulsante di ripristino per 3 secondi per selezionare il filtro da ripristinare; Tenere premuto a lungo il pulsante di ripristino per 5 secondi per ripristinare il filtro selezionato
Il pulsante di risciacquo non funziona.	Il modulo dei pulsanti è danneggiato.	Contattare l'assistenza clienti.
Gli indicatori non si accendono.	Il sistema non è collegato all'alimentazione.	Verificare che l'adattatore di alimentazione sia collegato correttamente al sistema e alla presa di corrente.

IX. Garanzia e Assistenza

Per informazioni o in caso di problemi, si prega di consultare il sito www.philips.com o contattare il centro assistenza clienti del Paese del cliente. Se non c'è nessun centro di assistenza clienti nel Paese, rivolgersi al rivenditore locale. Fino a due anni dalla data di acquisto sarà assicurato un servizio in garanzia gratuito per qualsiasi danno causato dal processo di fabbricazione o dai componenti in condizioni di normale funzionamento, e confermato dal nostro servizio di manutenzione. Il servizio di garanzia non comprende i componenti consumabili sostituiti di frequente, i dispositivi ausiliari, le spese di trasporto e il servizio porta a porta. Si prega di esibire una prova dell'acquisto al personale di assistenza al momento della manutenzione.

X. Contenuto della confezione

Sistema (1 filtro 3in1 e 1 filtro RO inclusi)	1X
Adattatore di alimentazione con spina	1X
Valvola a sfera a tre vie	1X
Connettore rapido	2X
Clip per connettore rapido da 1/4"	8X
Tubo PE da 1/4"	1X
Rubinetto	1X
Valvola di sovrappressione	1X
Connettore di scarico	1X
Manuale per l'utente	1X

Содержание

I. Введение	77
-------------	----

II. Технические характеристики изделия	78
--	----

III. Внешний вид изделия и схема установки	79
--	----

IV. Установка	80
Подготовка перед установкой	81
Установка трехходового шарового затвора	81
Установка крана	83
Установка системы	83

V. Использование системы	86
Перед первым использованием	86
Пользовательский интерфейс	87

VI. Обслуживание	89
Профилактическое обслуживание	89
Срок использования фильтра	89
Замена патрона фильтра	90

VII. Меры предосторожности	91
Предупреждение	91

VIII. Устранение неполадок	92
----------------------------	----

IX. Гарантия и обслуживание	93
-----------------------------	----

X. Комплектация	94
-----------------	----



I. Введение

Поздравляем с покупкой! Добро пожаловать в мир устройств Philips! Наша система фильтрации воды с обратным осмосом, предназначенная для установки под раковину, отличается не только высокой скоростью фильтрации (благодаря чему из крана вытекает свежеочищенная вода), но и сверхкомпактной конструкцией без резервуара, что позволяет экономить место на кухне. Мембрана обратного осмоса обеспечивает фильтрацию частиц размером 0,0001 микрона. При этом вода очищается от вирусов, бактерий, тяжелых металлов, пестицидов, летучих органических соединений, хлора и других загрязнений, а также снижается жесткость воды. Вы получаете удивительно чистую и вкусную воду.*


Перед использованием устройства внимательно прочтите это руководство. Сохраните его для справки.

Примечание.

У воды, очищенной системами обратного осмоса, низкое содержание минералов. Минеральные соли, необходимые человеку, поступают в организм с пищей и в меньшей степени с водой, которую мы пьем.

* Вещества, полностью или частично удаляемые из воды этой системой, не обязательно содержатся в воде у всех пользователей.

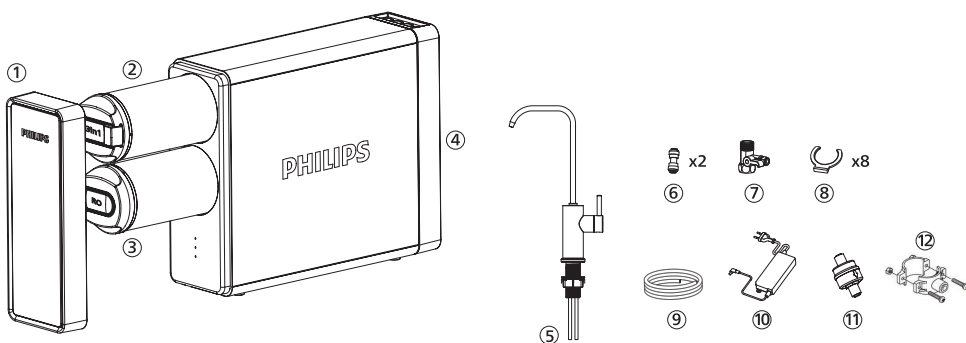
II. Технические характеристики изделия

Название изделия	Система фильтрации воды Philips с обратным осмосом для установки под раковиной	
Модель изделия	AUT4030R400	AUT4030R600
Производительность фильтрации	2 л/мин	
Производительность очистки	1,05 л/мин	1,57 л/мин
Ресурс фильтрации	Фильтр «3 в 1» 6000 л Фильтр обратного осмоса: 11 000 л	
Давление воды на входе	0,1–0,4 МПа**.	
Температура воды на входе	5–38 °С	
Номинальное напряжение	24 В 	
Номинальная мощность	55 Вт	70 Вт
Максимальная минерализация воды на входе	1500 миллионных долей***	
Максимальная жесткость воды на входе	15 французских градусов***	
Масса нетто	6,8 кг	7,2 кг
Габариты	390*114*303,5 мм	
Допустимый источник воды	Городская водопроводная вода, соответствующая требованиям Директивы ЕС о качестве питьевой воды 98/83 и переложениям этой Директивы в странах-членах ЕС.	

** Если давление воды на входе превышает 0,4 МПа, перед системой необходимо установить редуктор давления воды. Если давление воды на входе ниже 0,1 МПа, перед системой необходимо установить усилитель напора. Редуктор находится в пакете с принадлежностями. Усилитель напора приобретается отдельно.

*** Если минерализация воды на входе превышает 1500 миллионных долей или жесткость превышает 15 французских градусов, срок использования фильтров может быть снижен. Обратитесь к торговому посреднику по вопросу установки фильтров предварительной очистки перед системой.

III. Внешний вид изделия и схема установки



- ① Передняя крышка
- ② Фильтр «3 в 1»
- ③ Фильтр обратного осмоса
- ④ Основное устройство
- ⑤ Кран
- ⑥ Быстроразъемный штуцер

- ⑦ Трехходовой шаровой затвор
- ⑧ Зажим быстроразъемного штуцера
- ⑨ Полиэтиленовый шланг диаметром 1/4 дюйма (белый)
- ⑩ Адаптер питания
- ⑪ Редуктор давления воды
- ⑫ Дренажный подвод

IV. Установка

Примечание.

- Перед установкой проверьте состояние системы и убедитесь, что она не была повреждена при перевозке.
- Распакуйте систему и принадлежности к ней. Снимите защитный упаковочный материал. Для упаковки системы использованы материалы, подлежащие вторичной переработке. Утилизируйте эти материалы в соответствующие мусорные контейнеры или отвезите их в местный центр вторичной переработки.

Внимание! Храните пластиковые пакеты в недоступном для детей месте, пакеты могут быть опасны для детей.

- Проверьте комплектность в соответствии с упаковочным листом и общим видом изделия.
- Эта система предназначена для повышения качества питьевой воды, поэтому все инструменты, используемые при монтаже, должны быть чистыми, не иметь следов ржавчины и смазки.
- Установку необходимо производить в соответствующих гигиенических условиях, приняв все необходимые меры предосторожности в отношении материалов, которые будут соприкасаться с очищаемой и употребляемой в пищу водой.
- Избегайте внешнего загрязнения системы по причине неправильного обращения с ней. Используйте перчатки и дезинфицирующий гель. Мойте руки настолько часто, насколько это необходимо в процессе установки, первого использования и обслуживания системы.
- Система и ее монтаж должны соответствовать применимым местным требованиям.
- Запрещается утилизация этого изделия вместе с другими бытовыми отходами. По окончании срока службы изделия его необходимо вернуть по месту приобретения или в местный центр вторичной переработки, указав при этом, что изделие содержит электрические и электронные компоненты. Надлежащая утилизация и переработка изделия, которое больше не будет использоваться, способствует сохранению природных ресурсов и поможет избежать рисков для здоровья населения.



1. Подготовка перед установкой

Выберите подходящее место для установки системы.

Убедитесь, что рядом с местом установки есть розетка электросети.

Проверьте упаковочный лист и убедитесь в наличии всех перечисленных принадлежностей.

Подготовьте необходимые инструменты для установки:



Тефлоновая
лента



Отвертка



Гаечный
ключ



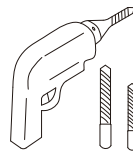
Труборез



Фонарь



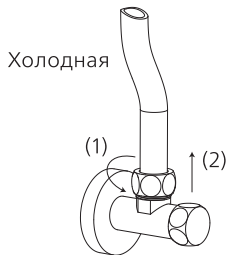
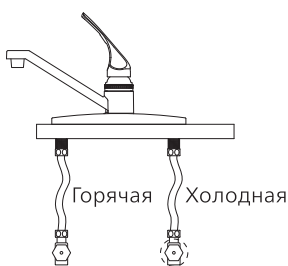
Тряпка



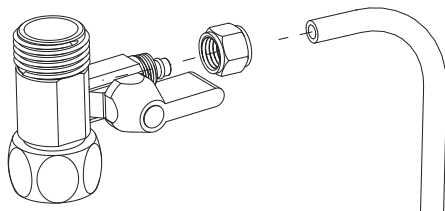
Электродрель

2. Установка трехходового шарового затвора

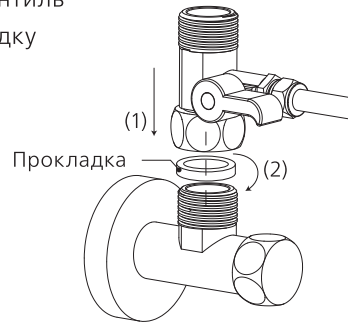
а. Отключите подачу холодной воды. Откройте кран холодной воды на кухне, чтобы стравить давление и дать воде стечь из трубопровода. Отсоедините шланг холодной воды от вентиля холодной воды.



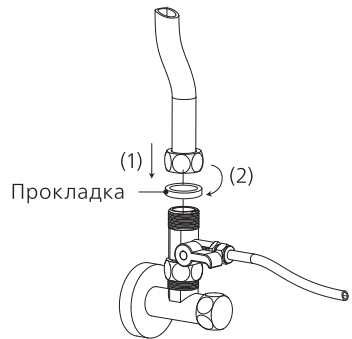
б. Наденьте гайку трехходового шарового затвора на полиэтиленовый шланг диаметром 1/4 дюйма, наденьте шланг на выступающий штуцер трехходового шарового затвора. Затяните гайку гаечным ключом.



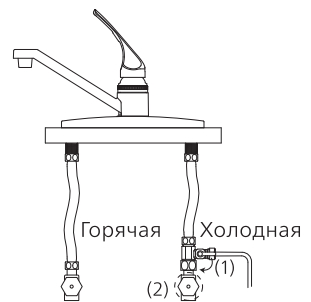
с. Установите трехходовой шаровой затвор на вентиль холодной воды. Не забудьте установить прокладку трехходового шарового крана при монтаже.



d. Присоедините шланг холодной воды к трехходовому шаровому крану и затяните гайку гаечным ключом. Не забудьте установить прокладку шланга холодной воды при монтаже.



e. Перекройте трехходовой шаровой кран. Включите подачу холодной воды. Протрите соединения салфеткой, чтобы убедиться в отсутствии утечек. Если салфетка останется сухой, это означает, что трехходовой шаровой кран правильно установлен.



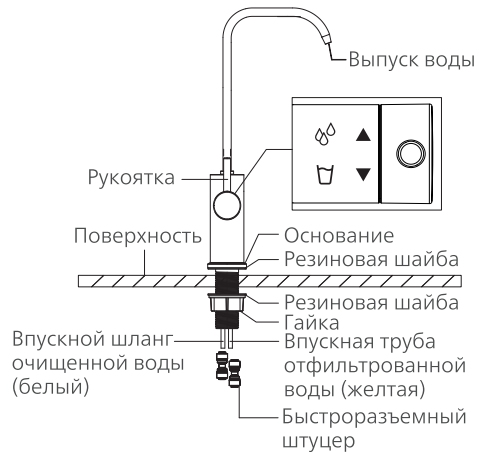
3. Установка крана

Примечание.

Выберите подходящее место для установки. Среда, в которой устанавливается кран, должна соответствовать применимым санитарно-гигиеническим требованиям.

Убедитесь, что кран плотно прилегает к поверхности раковины или столешницы.

- a. Просверлите отверстие диаметром 26–35 мм. Пропустите этот этап, если в поверхности раковины или столешницы уже есть отверстие.
- b. Установите кран в соответствии со схемой. Накрутите гайки на шток крана и крепко затяните их. Под раковиной или столешницей вставьте входные шланги крана в быстроразъемные штуцеры, закрепите шланги зажимами.



4. Установка системы

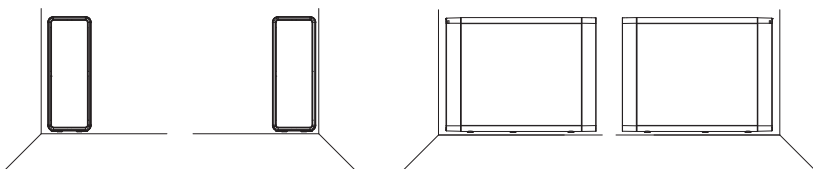
Примечание.

Убедитесь в наличии достаточного места для установки самой системы, принадлежностей к ней и соединений, а также для обслуживания и ремонта.

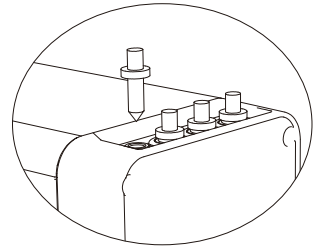
Запрещается установка системы вне помещений. Среда, в которой устанавливается система, должна соответствовать применимым санитарно-гигиеническим требованиям. Не допускайте попадания на систему капель посторонних жидкостей из труб, сливов и т. д.

Систему необходимо установить на прочную ровную поверхность. Рядом с системой не должно быть источников тепла. Запрещается размещать систему в месте, где возможна утечка воспламеняющегося газа.

- a. Найдите подходящее место для системы



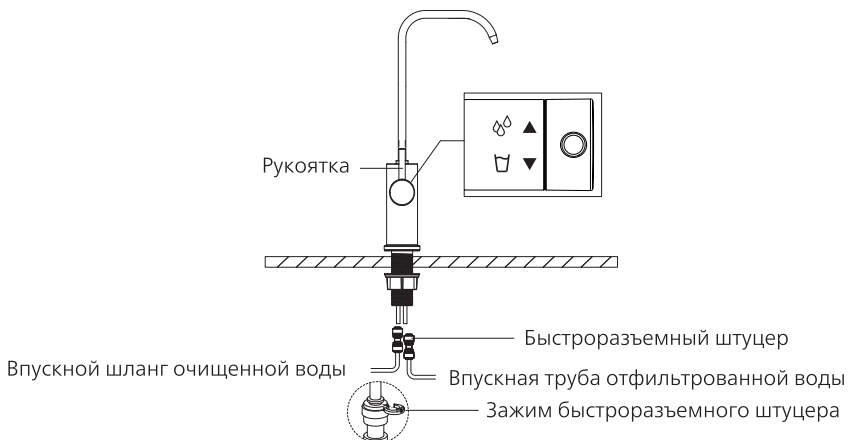
b. Нажмите на колечко и вытащите пробки.



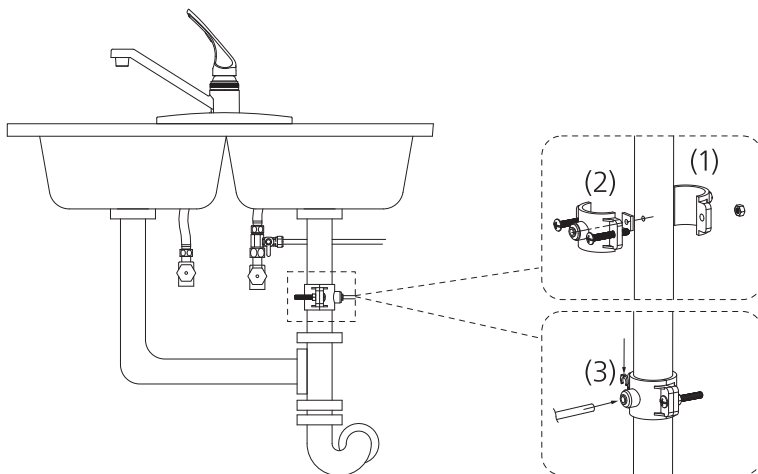
c. Соедините впускное отверстие для воды с трехходовым шаровым затвором. Отмерьте длину шланга диаметром 1/4 дюйма, необходимую для соединения системы и трехходового шарового затвора. Отрежьте шланг нужной длины труборезом. Вставьте другой конец шланга диаметром 1/4 дюйма, присоединенного к трехходовому шаровому затвору, в отверстие для входа воды в верхней части системы. Закрепите шланг в отверстии зажимом.

d. Соедините выходы для воды с краном.

Отмерьте длину шланга диаметром 1/4 дюйма, необходимую для соединения системы и крана. Отрежьте шланг нужной длины труборезом. Вставьте один конец шланга в быстроразъемный штуцер, соединенный с входным шлангом очищенной воды (белым) крана. Вставьте другой конец этого шланга до упора в выпускное отверстие для очищенной воды в верхней части системы. Используйте зажимы быстроразъемных штуцеров, чтобы закрепить шланги на месте. Отрежьте еще один кусок шланга труборезом. Вставьте один конец шланга в быстроразъемный штуцер, соединенный с входным шлангом отфильтрованной воды (желтым) крана. Вставьте другой конец этого шланга до упора в выпускное отверстие для отфильтрованной воды в верхней части системы. Используйте зажимы быстроразъемных штуцеров, чтобы закрепить шланги на месте.



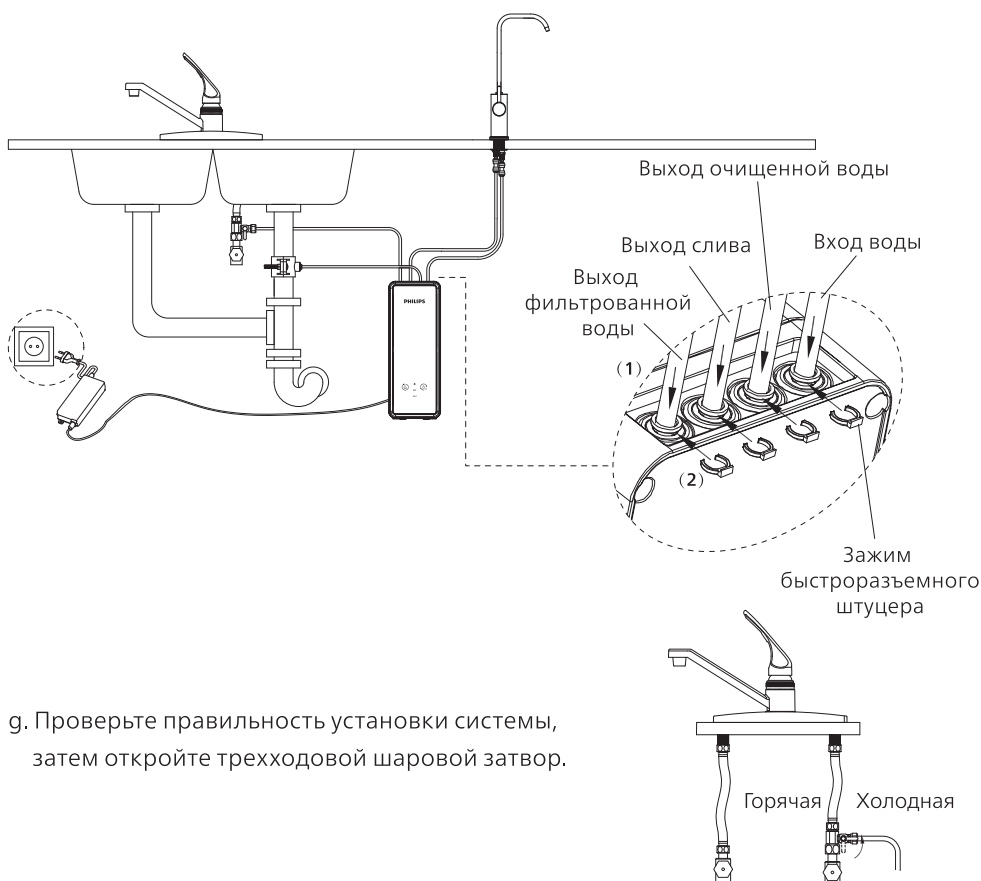
е. Соедините дренажное выпускное отверстие с дренажным подводом.
Выберите на дренажной трубе подходящее место и просверлите в трубе отверстие диаметром 6,5 мм. Установите дренажный подвод в соответствии со схемой. Крепко затяните гайки. Отрежьте шланг диаметром 1/4 дюйма. Вставьте один конец этого шланга до упора в выпускное отверстие дренажа в верхней части системы. Закрепите шланг в отверстии зажимом. Вставьте другой конец шланга в дренажный подвод.



Примечание.

- Не устанавливайте дренажный подвод на трубу измельчителя отходов.
- При сверлении отверстий в трубе будьте осторожны, чтобы не повредить противоположную стенку трубы.

f. Подключите адаптер питания к системе. Пока НЕ вставляйте вилку в розетку электросети.



g. Проверьте правильность установки системы, затем откройте трехходовой шаровый затвор.

V. Использование системы

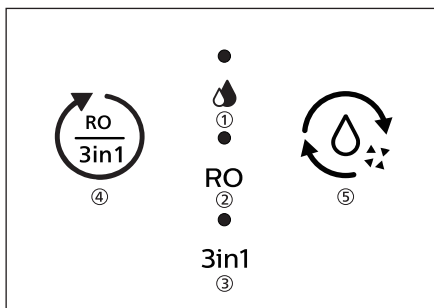
1. Перед первым использованием

a. Подключите систему к электросети. Вы услышите звуковой сигнал. Все индикаторы загорятся на 3 секунды. Система перейдет в режим автоматической промывки. Протрите все стыки и соединения салфеткой, чтобы убедиться в отсутствии утечек. Если салфетка останется сухой, это означает, что система установлена правильно. Если не использовать систему в течение 10 секунд после автоматической промывки, система перейдет в режим ожидания.

в. После автоматической промывки включите очищенную воду (поверните рукоятку крана против часовой стрелки) и сливайте ее 15 минут. После этого закройте кран хотя бы на 10 секунд, затем снова откройте его и сливайте очищенную воду еще 15 минут. Это необходимо для удаления воздуха и мельчайших частиц угля. После этого система будет готова к работе: можно включать подачу как очищенной, так и отфильтрованной воды.



2. Пользовательский интерфейс



- ① Индикатор состояния работы
- ② Индикатор срока использования фильтра обратного осмоса
- ③ Индикатор срока использования фильтра «3 в 1»
- ④ Кнопка сброса
- ⑤ Кнопка промывки

а. Индикатор состояния работы:

Индикатор	состояния
Нормальная работа	Непрерывно горит синим цветом
Промывка	Мигает синим цветом
Ошибка	Мигает красным цветом
Режим ожидания	Выключен

в. Индикатор срока использования фильтра

Индикатор	состояния	Звуковой сигнал
Более 14 дней	Непрерывно горит синим цветом	Н/Д
Менее 14 дней	Мигает красным цветом	После открытия крана в течение 6 секунд будут слышны звуковые сигналы: это напоминание о необходимости заменить фильтр.
Срок использования фильтра истек, необходимо немедленно заменить фильтр.	Постоянный красный цвет	При каждом открытии крана будут слышны звуковые сигналы: это напоминание о необходимости заменить фильтр.

с. Защита от длительной работы

Если система непрерывно работает в течение 30 минут, она перейдет в защитный режим и отключится. При этом индикатор состояния работы будет мигать красным цветом. Вы услышите 15 звуковых сигналов. Отключите систему от электросети. Подождите 1 минуту, затем снова подключите систему к электросети, чтобы устранить неполадку.

d. Автоматическая промывка

- При включении питания система автоматически промывается в течение 18 секунд.
- После 5 минут работы система автоматически промывается в течение 6 секунд.
- После 72 часов ожидания система автоматически промывается в течение 30 секунд.

e. Кнопка промывки

Можно вручную промыть систему. Для этого нажмите кнопку промывки, когда система находится в режиме ожидания. Чтобы остановить промывку, еще раз нажмите кнопку промывки.

f. Кнопка сброса

Чтобы сбросить срок использования фильтра, нажмите и удерживайте кнопку сброса 3 секунды. Вы услышите звуковой сигнал, а индикатор срока использования фильтра обратного осмоса начнет мигать синим цветом. Снова нажмите кнопку сброса, чтобы выбрать фильтр, который нужно сбросить. Когда индикатор выбранного фильтра начнет мигать, нажмите и удерживайте кнопку сброса 5 секунд. Вы услышите звуковой сигнал. Индикатор выбранного фильтра дважды мигнет, затем будет непрерывно гореть синим цветом. Это означает, что срок использования фильтра успешно сброшен.

VI. Обслуживание

1. Профилактическое обслуживание

- Не протирайте корпус устройства органическими растворителями, такими как бензин. Если нужно очистить изделие, отключите его от электросети, затем аккуратно протрите его поверхность влажной тканью.
- Если система не использовалась более 2 дней, включите очищенную воду и сливайте ее не менее 5 минут, чтобы промыть фильтры и систему.
- Если система не будет использоваться в течение длительного времени (7 дней или дольше), извлеките патроны фильтра, заверните их в пластиковую пленку и положите в холодильник (но не в морозильник).
Перекройте трехходовой шаровой затвор, включите очищенную воду, чтобы слить воду из системы, затем отключите электропитание. Перед повторным использованием системы сливайте очищенную воду хотя бы на 10 минут, чтобы промыть фильтры и систему.

2. Срок использования фильтра

Примечание.

Для оптимальной работы устройства заменяйте патрон фильтра в соответствии с индикатором срока использования фильтра или с указанной ниже рекомендуемой периодичностью замены. Также фильтры следует заменять при заметном ослаблении потока воды.

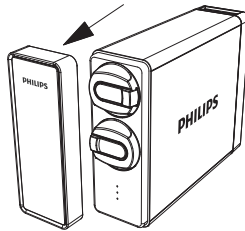
В этой системе можно использовать только фильтры Philips.

Фильтр	Код модели фильтра	Код модели системы	Срок использования фильтра
Фильтр «3 в 1»	AUT812	AUT4030R400 AUT4030R600	До 12 месяцев*
Фильтр обратного осмоса	AUT870R400	AUT4030R400	До 36 месяцев*
Фильтр обратного осмоса	AUT870R600	AUT4030R600	До 36 месяцев*

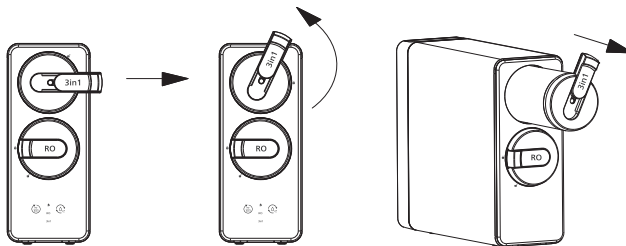
* Фактический срок службы патрона фильтра зависит от качества водопроводной воды и от ежедневного использования. Рекомендуемый цикл замены — усредненный показатель для водопроводной воды разного качества. Если качество водопроводной воды ниже среднего, фактический срок использования патрона фильтра будет отличаться от рекомендуемого. Если патрон фильтра засорился, замените его.

3. Замена патрона фильтра

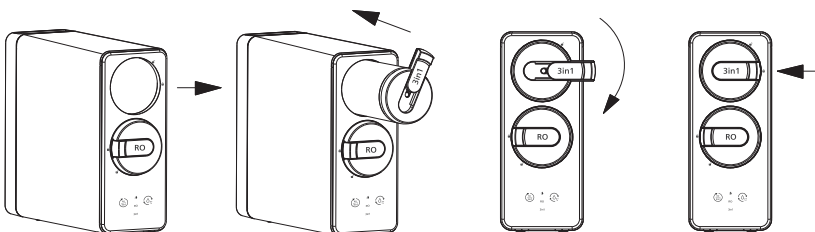
- a. Перед заменой патронов фильтра отключите электропитание и перекройте трехходовой затвор.
- b. Снимите переднюю крышку.



- c. Вытяните рычаг фильтра, который нужно заменить, и поверните его против часовой стрелки. Извлеките фильтр.



- d. Снимите упаковку с нового фильтра и вставьте новый фильтр в систему (вытяните рычаг фильтра, совместите рычаг со значком отпираания на корпусе и вставьте до упора), поверните рычаг по часовой стрелке до упора и задвиньте рычаг обратно (убедитесь, что рычаг совмещен со значком замка на корпусе).



- е. Откройте трехходовой шаровой затвор и снова подключите электропитание. Если был заменен фильтр обратного осмоса, включите очищенную воду (поверните рукоятку крана против часовой стрелки) и сливайте ее 15 минут. После этого закройте кран хотя бы на 10 секунд, затем снова откройте его и сливайте очищенную воду в течение еще 15 минут. Если был заменен фильтр «3 в 1», включите отфильтрованную воду и сливайте ее 10 минут.
- ф. Сбросьте срок использования фильтра в соответствии с инструкциями в главе V.

VII. Меры предосторожности

1. Внимание!

- Используйте в качестве источника воды только городской водопровод. Не используйте воду, которая не является безопасной с микробиологической точки зрения, или воду неизвестного качества без надлежащей дезинфекции до или после системы.
- Эта система не предназначена для использования лицами (в том числе детьми) с ограниченными физическими, осязательными или умственными способностями, а также с недостаточным опытом и знаниями, если эти лица не находятся под надзором или не получили инструктаж по использованию изделия от человека, ответственного за безопасность таких лиц. Дети должны быть под присмотром: они не должны играть с системой.
- Обращайтесь с системой аккуратно и осторожно. Не пытайтесь самостоятельно модифицировать и ремонтировать систему. В противном случае гарантия аннулируется.
- Это устройство предназначено исключительно для бытового использования.
- Температура воды на входе должна быть в диапазоне от 5 до 38 °C. Если температура воды на входе выше 38 °C, это может привести к необратимому повреждению фильтра. Если температура воды на входе ниже 5 °C, это может привести к замерзанию и разрыву деталей системы, вследствие чего возникнет протечка.
- Не изменяйте порядок установки фильтрующих патронов, поскольку это может повлиять на эффективность фильтрации.
- Если система неправильно работает или неисправна, немедленно прекратите ее использовать. Перекройте входной водяной вентиль и откройте кран, чтобы слить воду из системы. Возможные неисправности:

- Протечка
- На изделии есть трещины или иные повреждения
- Ненормальный звук или запах гари
- Перегревается вилка электропитания или кабель электропитания
- Устройство не работает

Немедленно обратитесь в сервисный центр.

- Если предполагается, что система не будет использоваться в течение длительного времени, отключите подачу воды, затем откройте кран, чтобы сбросить внутреннее давление и избежать повреждения системы.

VIII. Устранение неполадок

Проблема	Возможные причины	Решение
Из крана не течет вода.	Перекрыт вентиль холодной воды или трехходовой шаровой затвор.	Откройте вентили и затворы.
	Система не подключена к электросети.	Убедитесь, что адаптер питания подключен к системе и к розетке электросети.
Поток воды ослабевает.	Фильтр засорен.	Замените фильтр.
	Низкое давление воды на входе.	Дождитесь стабилизации давления воды на входе или установите усилитель напора перед системой, если давление воды на входе постоянно ниже 0,1 МПа.
Низкое качество воды на выходе.	Истек срок использования фильтра.	Замените фильтр.
	Система давно не использовалась.	Включите очищенную воду и сливайте ее 5 минут.
	Низкое качество воды на входе.	Используйте в качестве источника воды только городской водопровод. Не используйте воду, которая не является безопасной с микробиологической точки зрения, или воду неизвестного качества без надлежащей дезинфекции до или после системы.

Индикатор состояния работы горит красным цветом, слышны звуковые сигналы.	Система фильтрует воду непрерывно в течение 30 минут.	Отключите систему от электросети. Подождите 1 минуту, затем снова подключите систему к электросети, чтобы устранить неполадку.
Индикаторы срока использования фильтра не загораются при открытии крана.	Повреждена печатная плата.	Обратитесь в сервисный центр.
Кнопка сброса не работает.	Вы нажимали кнопку недостаточно долго, чтобы сработал сброс.	Нажмите и удерживайте кнопку сброса 3 секунды, чтобы выбрать фильтр, который нужно сбросить. Нажмите и удерживайте кнопку сброса 5 секунд, чтобы сбросить выбранный фильтр.
Кнопка промывки не работает.	Поврежден модуль кнопки.	Обратитесь в сервисный центр.
Индикаторы не загораются.	Система не подключена к электросети.	Убедитесь, что адаптер питания подключен к системе и к розетке электросети.

IX. Гарантия и обслуживание

Если вам нужна информация или возникли проблемы, посетите сайт www.philips.com или обратитесь в сервисный центр в вашей стране. Если в вашей стране нет сервисного центра, обратитесь к местному торговому посреднику. В течение двух лет с даты покупки предоставляется бесплатная гарантия в отношении любых дефектов, возникших в процессе производства, а также в отношении компонентов, поврежденных в процессе обычной эксплуатации, если это подтверждено нашей сервисной службой. Гарантийное обслуживание не распространяется на часто заменяемые расходные материалы, вспомогательные устройства, транспортные расходы и доставку на дом. При техническом обслуживании предъявите техническим сотрудникам подтверждение покупки.

Х. Комплектация

Система (в комплект входят: фильтр «3 в 1» — 1 шт., фильтр обратного осмоса — 1 шт.)	1 шт.
Адаптер питания с вилкой	1 шт.
Трехходовой шаровой затвор	1 шт.
Быстроразъемный штуцер	2 шт.
Зажим быстроразъемного штуцера 1/4 дюйма	8 шт.
Полиэтиленовый шланг диаметром 1/4 дюйма	1 шт.
Кран	1 шт.
Редуктор давления воды	1 шт.
Дренажный подвод	1 шт.
Руководство пользователя	1 шт.

Obsah

I. Představení výrobku	96
------------------------	----

II. Specifikace výrobku	97
-------------------------	----

III. Přehled součástí výrobku a znázornění instalace	98
--	----

IV. Instalace	99
Přípravy před instalací	100
Instalace trojcestného kulového ventilu	100
Instalace baterie	102
Instalace systému	102

V. Používání systému	105
Před prvním použitím	105
Uživatelské rozhraní	106

VI. Údržba	108
Běžná údržba	108
Životnost filtru	108
Výměna filtrační kazety	109

VII. Bezpečnostní opatření	110
Varování	110

VIII. Odstraňování problémů	111
-----------------------------	-----

IX. Záruka a servis	112
---------------------	-----

X. Obsah balení	113
-----------------	-----



Instalace

I. Představení výrobku


Gratulujeme k nákupu a vítáme vás u společnosti Philips! Náš filtrační systém s reverzní osmózou pod dřezem má nejen vysoký průtok vody, který zajišťuje, že každá kapka vody je čerstvě filtrovaná, ale také má ultrakompaktní design bez nádrže, který může ušetřit spoustu místa v kuchyni. Membrána pro reverzní osmózu má úroveň hloubkové filtrace až 0,0001 mikronu, která účinně odstraňuje viry, bakterie, těžké kovy, pesticidy, tvrdost vody, těkavé organické sloučeniny, chlór a další látky, takže voda má skvělou chuť.* Před použitím spotřebiče si pečlivě přečtete tento návod. Uložte si jej pro budoucí použití.

Poznámka:

Voda dodávaná systémy reverzní osmózy má nízký obsah minerálů. Minerální soli, které lidské tělo potřebuje, jsou dodávány v potravě a v menší míře ve vodě, kterou pijeme.

* Látky odstraněné nebo redukovány tímto systémem nemusí být nutně obsaženy ve vodě všech uživatelů.

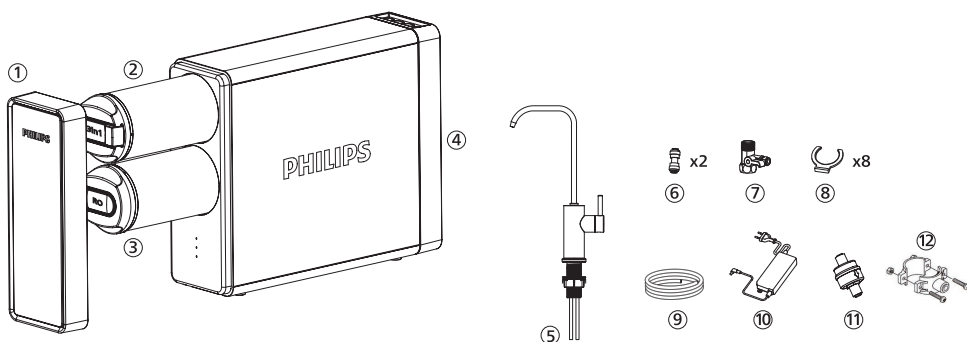
II. Specifikace výrobku

Název výrobku	Systém reverzní osmózy Philips pro filtraci vody pod dřezem	
Model výrobku	AUT4030R400	AUT4030R600
Průtok filtrované vody	2 l/min	
Průtok vody filtrované RO	1,05 l/min	1,57 l/min
Filtrační kapacita	Filtr 3 v 1: 6 000 litrů Filtr RO: 11 000 litrů	
Tlak vstupní vody	0,1–0,4 MPa**	
Teplota vstupní vody	5°C–38°C	
Jmenovité napětí	24V 	
Jmenovitý výkon	55W	70W
Maximální TDS vstupní vody	1 500 ppm***	
Maximální tvrdost vstupní vody	15 HF***	
Čistá hmotnost	6,8 kg	7,2 kg
Rozměry	390 * 114 * 303,5 mm	
Vhodný zdroj vody	Městská voda z vodovodu, která splňuje všechny požadavky směrnice Rady 98/83 o jakosti vody určené k lidské spotřebě a jejích transpozic v jednotlivých členských státech EU.	

** Pokud tlak vstupní vody přesáhne 0,4 MPa, měl by být před systémem instalován přetlakový ventil. Pokud je tlak vstupní vody nižší než 0,1 MPa, měl by být před systémem instalován posilovač tlaku. Přetlakový ventil je součástí sáčku s příslušenstvím a posilovač tlaku je třeba zakoupit zvlášť.

*** Pokud slanost vstupní vody překročí 1 500 ppm nebo tvrdost přesáhne 15 °HF, může to mít vliv na životnost filtrů. O instalaci předfiltrů před systémem se poradte se svým prodejcem.

III. Přehled součástí výrobku a znázornění instalace



① Přední kryt

② Filtr 3 v 1

③ Filtr RO

④ Hlavní jednotka

⑤ Vodovodní baterie

⑥ Rychlospojka

⑦ Trojcestný kulový ventil

⑧ Svorka rychlospojky

⑨ 1/4" PE trubka (bílá)

⑩ Napájecí adaptér

⑪ Přetlakový ventil

⑫ Odtoková přípojka

IV. Instalace

Poznámka:

- Před instalací je důležité zkontrolovat stav systému a ujistit se, že nebyl poškozen během přepravy.

- Vybalte systém a jeho příslušenství. Odstraňte ochranný obalový materiál. Pro obal byly použity recyklovatelné materiály, které by měly být vyhozeny do příslušných recyklačních kontejnerů nebo odevzdány v místním recyklačním centru.

Varování: Plastové sáčky uchovávejte mimo dosah dětí, protože mohou být nebezpečné.

- Podle seznamu obsahu balení a přehledu zkontrolujte, zda něco nechybí.

- Vzhledem k tomu, že systém má zlepšovat kvalitu pitné vody, měly by být všechny nástroje použité při instalaci čisté, bez rzi a mastnoty.

- Instalace by měla probíhat za vhodných hygienických podmínek a při dodržení veškerých bezpečnostních opatření týkajících se materiálů a součástí, které přijdou do styku s upravovanou nebo spotřebovávanou vodou.

- Zabraňte vnější kontaminaci systému nesprávnou manipulací: během instalace, prvního použití a údržby systému používejte rukavice a dezinfekční gel a často si myjte ruce.

- Systém a instalace musí být v souladu s platnými místními předpisy.

- Tento výrobek nelze likvidovat společně s ostatními domácími odpady.

Po skončení životnosti výrobku by měl být vrácen v místě nákupu nebo v místním recyklačním středisku s uvedením, že obsahuje elektrické a elektronické součástky.

Vhodný sběr a zpracování výrobků, které již nemají být použity, přispívá k zachování přírodních zdrojů a zamezuje případným rizikům pro veřejné zdraví.

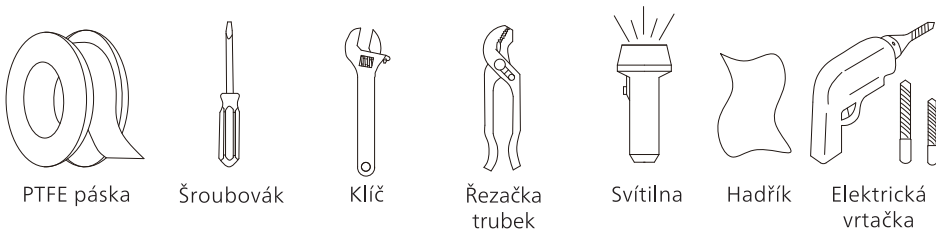


1. Přípravy před instalací

Zvolte vhodné místo pro instalaci systému.

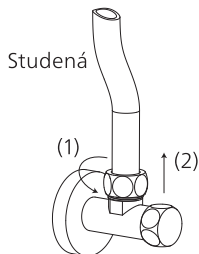
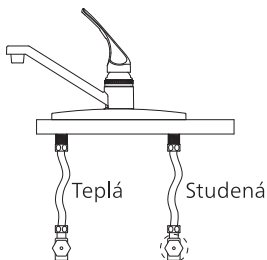
Ujistěte se, že se v blízkosti místa instalace nachází elektrická zásuvka.

Zkontrolujte seznam obsahu balení a ujistěte se, že máte veškeré uvedené příslušenství; připravte si potřebné nástroje pro instalaci:

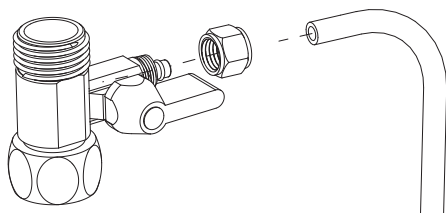


2. Instalace trojcestného kulového ventilu

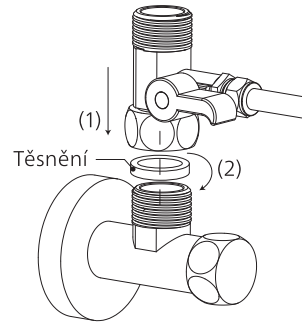
a. Vypněte přívod studené vody. Otočte kohoutek studené vody v kuchyni, abyste uvolnili tlak a nechali vodu z potrubí odtéct. Odpojte hadici studené vody od ventilu studené vody.



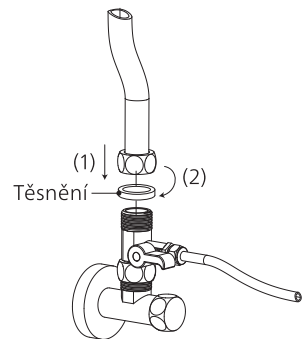
b. Nasadíte matici trojcestného kulového ventilu na 1/4" PE trubku a zasuňte trubku do konvexního konektoru trojcestného kulového ventilu. Matici utáhněte klíčem.



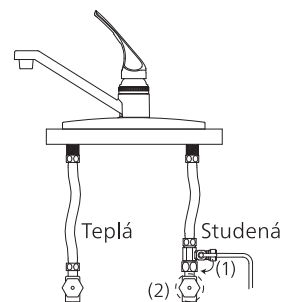
- c. Na ventil studené vody nainstalujte trojcestný kulový ventil. Při instalaci nevynechejte těsnění uvnitř trojcestného kulového ventilu.



- d. Vypněte trojcestný kulový ventil. Zapněte přívod studené vody. Otřete spoje kapesníkem, abyste zjistili, zda nedochází k úniku. Pokud kapesník zůstane suchý, znamená to, že je trojcestný kulový ventil správně nainstalován.



- e. Připojte hadici studené vody k trojcestnému kulovému ventilu a pevně utáhněte klíčem. Při instalaci nevynechejte těsnění v hadici studené vody.



3. Instalace vodovodní baterie

Poznámka:

Zvolte vhodnou instalační polohu. Prostředí, ve kterém je baterie instalována, by mělo splňovat všechny vhodné hygienické a sanitační podmínky.

Ujistěte se, že baterie vodorovně sedí na povrchu dřezu nebo kuchyňské linky.

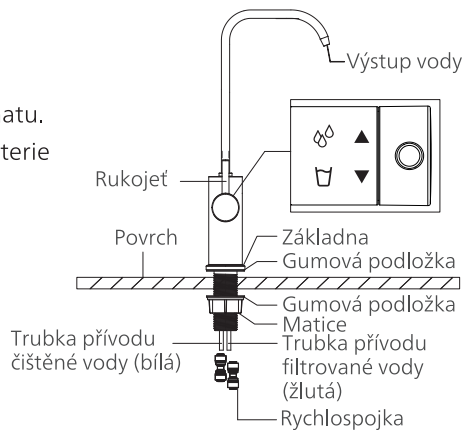
a. Vyrvejte otvor o průměru 26–35 mm.

Tento krok přeskočte, pokud je již ve dřezu nebo v povrchu kuchyňské linky otvor.

b. Vodovodní baterii namontujte podle schématu.

Našroubujte matice dřívku baterie na dřívku baterie a pevně je zašroubujte.

Pod umyvadlem nebo kuchyňskou linkou zasuňte přívodní trubky baterie do rychlospojek a zajistěte je pomocí svorek.



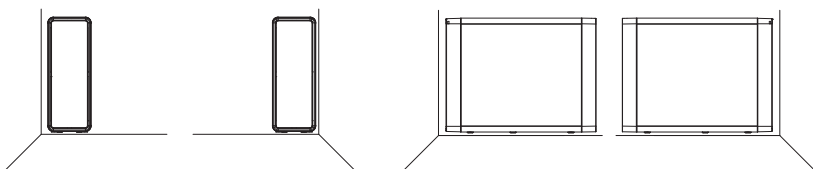
4. Instalace systému

Poznámka:

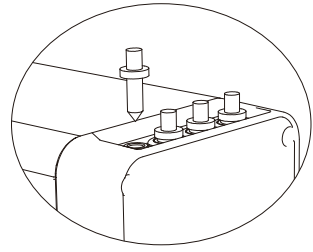
Zkontrolujte, zda je k dispozici dostatečný prostor pro instalaci samotného systému, jeho příslušenství a připojení a pro servis a opravy. Systém by v žádném případě neměl být instalován ve venkovním prostředí. V prostředí, kde je systém instalován, by měly být dodržovány všechny vhodné hygienické a sanitační podmínky. Zabraňte vnějšímu odkapávání kapalin z potrubí nebo kanalizace apod. na systém.

Tento systém by měl být umístěn na stabilním a vodorovném povrchu. Systém uchovávejte mimo dosah tepla. Nesmí být umístěn na místě, kde může docházet k úniku hořlavých plynů.

a. Nalezení vhodného místa pro systém



- b. Vytáhněte silikonové zátky otvorů pro přívod a vývod vody v horní části systému.



- c. Připojte přívod vody a trojcestný kulový ventil.

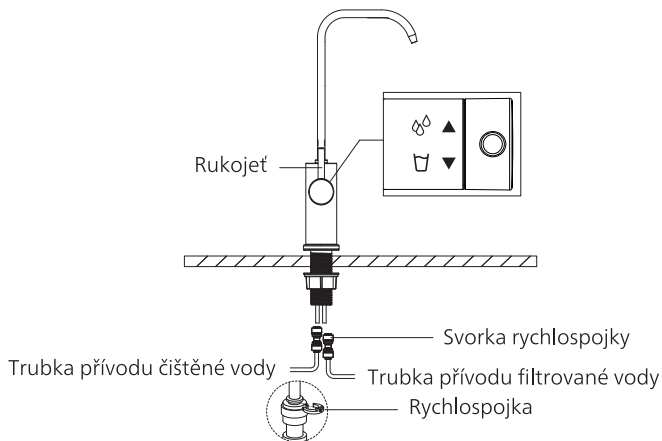
Odměřte délku 1/4" trubky, kterou potřebujete k propojení systému a trojcestného kulového ventilu, a uřízněte ji odpovídajícím způsobem pomocí řezačky na trubky.

Druhý konec 1/4" trubky, která je spojena s trojcestným kulovým ventilem, zasuňte do otvoru pro přívod vody v horní části systému. Trubku v otvoru zajistěte pomocí svorky.

- d. Připojte vývody vody a baterii.

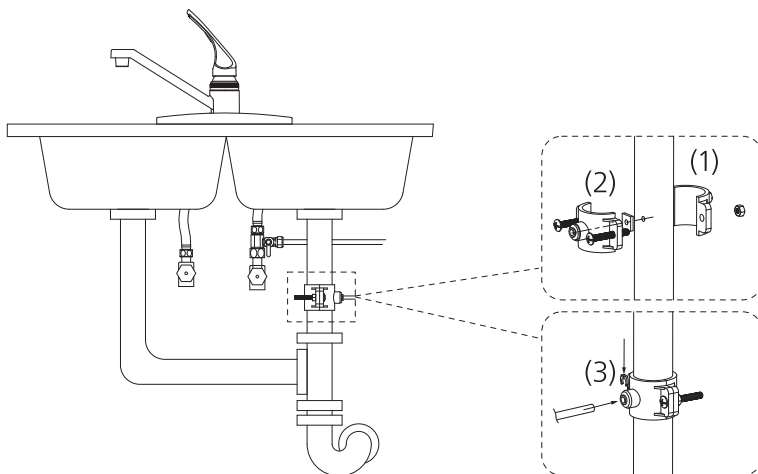
Odměřte délku 1/4" trubky, kterou potřebujete k propojení systému a baterie, a uřízněte ji pomocí řezačky na trubky. Jeden konec trubky zasuňte do rychlospojky, která je spojena s (bílou) trubkou přívodu čištěné vody baterie. Druhý konec trubky zasuňte do výstupního otvoru pro čištěnou vodu v horní části systému, aby dosáhla až na dno. K upevnění trubek použijte svorky rychlospojek.

Další 1/4" trubku uřízněte pomocí řezačky na trubky. Jeden konec trubky zasuňte do rychlospojky, která je spojena s (žlutou) trubkou přívodu filtrované vody baterie. Druhý konec trubky zasuňte do výstupního otvoru pro filtrovanou vodu v horní části systému, aby dosáhla až na dno. K upevnění trubek použijte svorky rychlospojek.



e. Připojte vývod odtokové vody a odtokovou přípojku

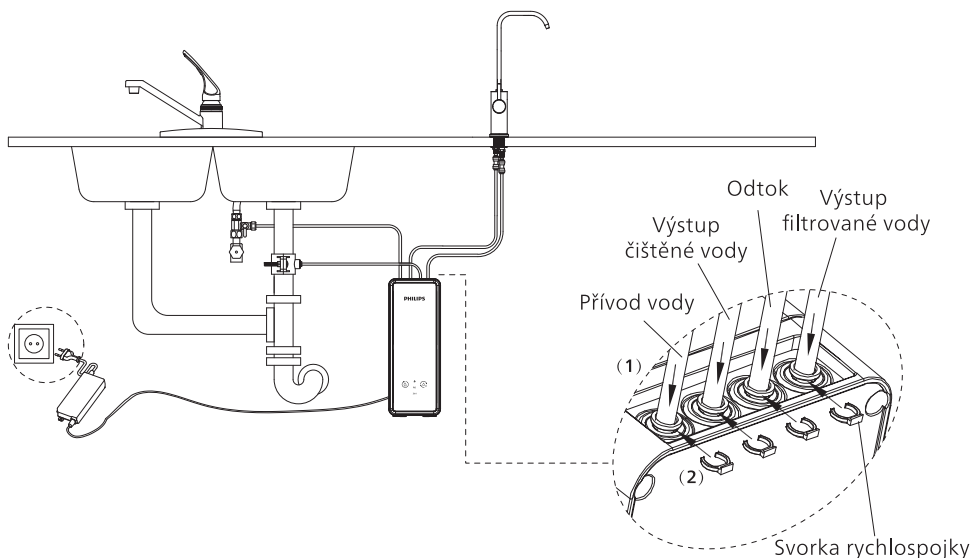
Vyberte vhodné místo na odtokové trubce a vyvrtejte 6,5mm otvor. Nainstalujte odtokovou přípojku podle schématu. Pevně utáhněte matice. Odřízněte část 1/4" trubky. Jeden konec trubky zasuňte do odtokového otvoru v horní části systému, aby dosáhl až na dno. Trubku v otvoru zajistěte pomocí svorky. Druhý konec trubky zasuňte do odtokové přípojky.



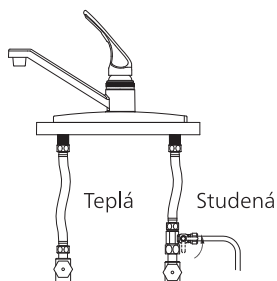
Poznámka:

- Neinstalujte odtokovou přípojku na stejnou odtokovou trubku jako drtič odpadu.
- Při vrtání otvoru nepronikněte na opačnou stranu trubky.

f. Připojte napájecí adaptér k systému. Zástrčku zatím NEZASOUVEJTE do zásuvky.



g. Zkontrolujte, zda je systém správně nainstalován, a zapněte trojcestný kulový ventil.

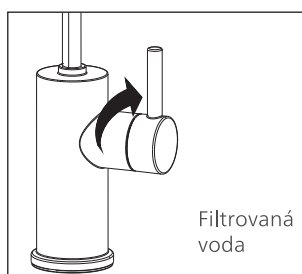
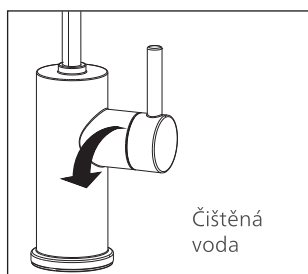


V. Používání systému

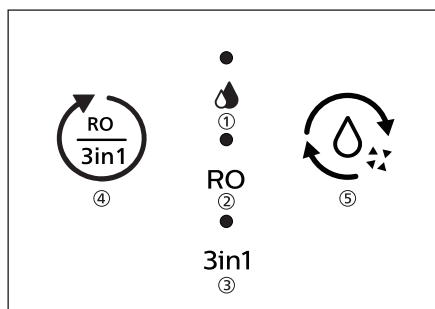
1. Před prvním použitím

a. Připojte systém k napájení. Uslyšíte pípnutí a všechny indikátory se na 3 sekundy rozsvítí. Systém přejde do režimu automatického proplachování. Otřete všechny spoje a přípojky kapesníkem a zkontrolujte, zda nedochází k úniku. Pokud kapesník zůstane suchý, znamená to, že je systém správně nainstalován. Pokud po 10 sekundách od automatického proplachování nedojde k žádné další operaci, systém se přepne do pohotovostního režimu.

b. Po dokončení automatického proplachování zapněte čistou vodu (otočte rukojetí kohoutku proti směru hodinových ručiček) a nechte vodu téct po dobu 15 minut. Poté kohoutek alespoň na 10 sekund zavřete a poté znovu zapněte čistou vodu na dalších 15 minut pro vypláchnutí vzduchu a jemných uhlíkových částic přes filtry. Poté je systém připraven a vy si můžete začít vychutnávat čistou i filtrovanou vodu.
Uživatelské rozhraní



2. Uživatelské rozhraní



- ① Indikátor provozního stavu
- ② Indikátor životnosti filtru RO
- ③ Indikátor životnosti filtru 3 v 1
- ④ Tlačítko resetování
- ⑤ Tlačítko proplachování

a. Indikátor provozního stavu:

Stav	Indikátor
Běžný provoz	Stálé modré světlo
Proplachování	Blikající modré světlo
Chyba	Blikající červené světlo
Pohotovostní režim	Vypnuto

b. Indikátor životnosti filtru

Stav	Indikátor	Zvukové upozornění
Více než 14 dní	Stálé modré světlo	NEVZTAHUJE SE
Méně než 14 dní	Blikající červené světlo	Po zapnutí baterie se po dobu 6 sekund bude ozývat pípání, které vám připomene, že je třeba vyměnit filtr.
Filtr dosáhl konce životnosti a měl by být okamžitě vyměněn.	Stálé červené světlo	Při každém zapnutí baterie se bude ozývat pípání, které vám připomene, že je třeba filtr vyměnit.

c. Ochrana proti příliš dlouhému provozu

Pokud systém pracuje nepřetržitě po dobu 30 minut, přejde do ochranného režimu a vypne se. Indikátor provozního stavu mezitím bliká červeně a ozve se 15 pípnutí.

Odpojte systém, počkejte 1 minutu a znovu jej připojte, abyste odstranili potíže.

d. Automatické proplachování

- Systém se po zapnutí automaticky proplachuje po dobu 18 sekund.
- Po 5 minutách provozu se systém automaticky proplachuje po dobu 6 sekund.
- Pokud byl systém v pohotovostním režimu 72 hodin, automaticky se po dobu 30 sekund proplachuje.

e. Tlačítko proplachování

Systém můžete propláchnout ručně stisknutím tlačítka proplachování, když je systém v pohotovostním režimu. Proplachování zastavíte opětovným stisknutím tlačítka proplachování.

f. Tlačítko resetování

Chcete-li resetovat životnost filtru, stiskněte dlouze tlačítko resetování na 3 sekundy. Uslyšíte pípnutí a indikátor životnosti filtru RO začne blikat modře. Opětovným krátkým stisknutím tlačítka resetování vyberte filtr, který je třeba resetovat.

Když bliká indikátor vybraného filtru, dlouze stiskněte tlačítko resetování na 5 sekund. Uslyšíte pípnutí a indikátor vybraného filtru bude po dvojnásobném bliknutí svítit modře. To znamená, že životnost filtru byla úspěšně resetována.

VI. Údržba

1. Běžná údržba

- K otírání krytu přístroje se nesmí používat organická rozpouštědla, jako je benzín. Pokud je nutné čištění, po odpojení od zdroje napájení jemně otřete povrch výrobku vlhkým hadříkem.
- Pokud se systém nepoužívá déle než 2 dny, zapněte čištěnou vodu a nechte ji téct alespoň 5 minut, aby se propláchly filtry a systém.
- Pokud systém nebudete delší dobu používat (> 7 dní), vyjměte filtrační kazety, dobře je zabalte do plastových obalů a uložte je do chladničky (ne do mrazničky). Vypněte trojcestný kulový ventil, zapněte čištěnou vodu, aby se systém vyprázdnil, a vypněte napájení. Před dalším použitím zapněte čištěnou vodu alespoň na 10 minut, aby se filtry a systém propláchly.

2. Životnost filtru

Poznámka:

Abyste zajistili co nejlepší výkon, měňte filtrační kazetu podle indikátoru životnosti filtru nebo podle doporučeného cyklu výměny. Pokud je pozorován výrazně nižší průtok, doporučujeme vyměnit i filtry.

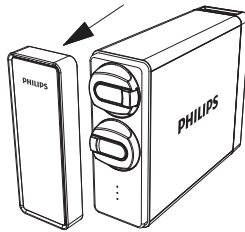
Tento systém může fungovat pouze s filtry Philips.

Filtr	Kód modelu filtru	Kód modelu systému	Životnost filtru
Směsný filtr 3 v 1	AUT812	AUT4030R400 AUT4030R600	Až 12 měsíců*
Filtr RO	AUT870R400	AUT4030R400	Až 36 měsíců*
Filtr RO	AUT870R600	AUT4030R600	Až 36 měsíců*

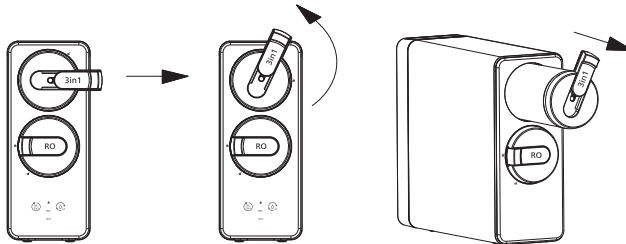
* Skutečná životnost filtrační kazety závisí na kvalitě místní vody z vodovodu a na každodenním používání. Doporučený cyklus výměny je průměrný a vychází z různé kvality místní vody z vodovodu. Pokud je kvalita vody z místního vodovodu nižší než průměrná, skutečná životnost kazety se bude lišit od doporučeného cyklu výměny. Pokud je filtrační kazeta ucpaná, vyměňte ji.

3. Výměna filtrační kazety

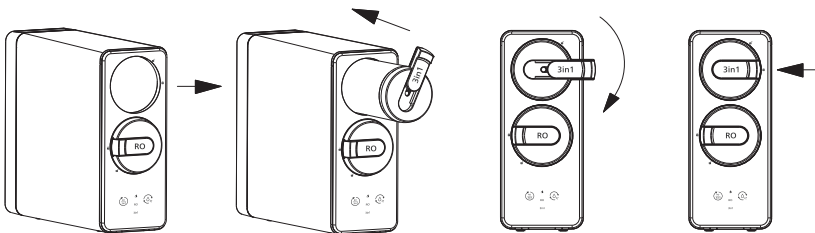
- Před výměnou filtračních kazet vypněte napájení a trojcestný kulový ventil.
- Sejměte přední kryt.



- Vytáhněte páčku filtru, který je třeba vyměnit, otočte ji proti směru hodinových ručiček a filtr vyjměte.



- Vyjměte obal nového filtru a vložte filtr do systému (vytáhněte páčku filtru, zarovnejte páčku s ikonou odemknutí na systému a zatlačte ji až na doraz); otočte páčku ve směru hodinových ručiček na doraz a zatlačte ji zpět (ujistěte se, že je páčka zarovnána s ikonou zámku na systému).



- e. Zapněte trojcestný kulový ventil a znovu jej připojte k napájení. Pokud je vyměněný filtr RO, zapněte čišťenou vodu (otočte rukojetí kohoutku proti směru hodinových ručiček) a nechte vodu téct 15 minut. Poté kohoutek alespoň na 10 sekund zavřete a poté opět zapněte čišťenou vodu na dalších 15 minut. Pokud se jedná o filtr 3 v 1, zapněte filtrovanou vodu a nechte ji 10 minut téci.
- f. Resetujte životnost filtru podle kapitoly V.

VII. Bezpečnostní opatření

1. Varování

- Jako zdroj vody vždy používejte vodu z obecního vodovodu. Nepoužívejte vodu, která je mikrobiologicky nebezpečná nebo jejíž kvalita není známa, bez odpovídající dezinfekce před nebo za systémem.
- Tento systém není určen pro použití osobami (včetně dětí) se sníženými fyzickými, smyslovými nebo duševními schopnostmi nebo s nedostatečnými zkušenostmi a znalostmi, pokud jim osoba odpovědná za jejich bezpečnost neposkytla dohled nebo je nepoučila o používání přístroje. Děti by měly být pod dohledem, aby si se systémem nehrály.
- Se systémem zacházejte šetrně a opatrně. Nepokoušejte se systém sami upravovat nebo opravovat, jinak záruka pozbývá platnosti.
- Toto zařízení je určeno pouze pro domácí použití.
- Teplota vstupní vody v systému by měla být v rozmezí 5–38 °C. Pokud teplota vstupní vody překročí 38 °C, může dojít k poškození filtru a jeho znehodnocení. Pokud je teplota vstupní vody nižší než 5 °C, může dojít k zamrznutí a prasknutí částí systému, což může vést k úniku vody.
- Pořadí instalace filtračních kazet neměňte, aby nedošlo k ovlivnění filtračního výkonu systému.
- Pokud systém funguje abnormálně nebo je vadný, okamžitě jej přestaňte používat. Zavřete přívodní ventil vody a otočte kohoutkem, aby se systém vyprázdnil. Události s poruchami zahrnují:
 - Únik
 - Výrobek je prasklý nebo poškozený
 - Ozývá se neobvyklý zvuk nebo je cítit zápach spáleniny
 - Napájecí zástrčka nebo napájecí kabel jsou abnormálně horké
 - Přístroj nefungujeOkamžitě se obraťte na oddělení péče o spotřebitele a požádejte o kontrolu.
- Pokud systém delší dobu nepoužíváte, vypněte přívod vody a otočte kohoutkem, aby se uvolnil vnitřní tlak a nedošlo k poškození systému.

VIII. Odstraňování problémů

Problém	Možné příčiny	Řešení
Z kohoutku neteče voda.	Ventil studené vody nebo trojcestný kulový ventil je vypnutý.	Zapněte ventily.
	Systém není připojen k napájení.	Zkontrolujte, zda je napájecí adaptér správně připojen k systému a zásuvce.
Průtok vody se zpomaluje.	Filtr je zablokovaný.	Vyměňte filtr.
	Tlak vstupní vody je nízký.	Vyčkejte, dokud se tlak vstupní vody neustálí, nebo nainstalujte před systémem zesilovač tlaku, pokud je tlak vstupní vody trvale nižší než 0,1 MPa.
Špatná kvalita výstupní vody.	Filtr dosáhl konce své životnosti.	Vyměňte filtr.
	Systém se již nějakou dobu nepoužívá.	Zapněte čišťenou vodu a nechte ji 5 minut téct.
	Kvalita vstupní vody je špatná.	Jako zdroj vody vždy používejte vodu z obecního vodovodu. Nepoužívejte vodu, která je mikrobiologicky nebezpečná nebo jejíž kvalita není známa, bez odpovídající dezinfekce před nebo za systémem.
Indikátor provozního stavu se rozsvítí červeně a ozve se pípnutí.	Systém filtruje vodu nepřetržitě po dobu 30 minut.	Odpojte systém, počkejte 1 minutu a znovu jej připojte, abyste odstranili potíže.
Indikátory životnosti filtru se při zapnutí baterie nerozsvítí.	Deska plošných spojů je poškozená.	Kontaktujte zákaznický servis.
Tlačítko resetování nefunguje.	Nestiskli jste tlačítko na dostatečně dlouhou dobu, aby se spustilo resetování.	Dlouhým stisknutím tlačítka resetování na 3 sekundy vyberte filtr, který je třeba resetovat. Dlouhým stisknutím tlačítka resetování na 5 sekund resetujete vybraný filtr.

Tlačítko proplachování nefunguje.	Modul tlačítek je poškozený.	Kontaktujte zákaznický servis.
Indikátory se nerozsvítí.	System není připojen k napájení.	Zkontrolujte, zda je napájecí adaptér správně připojen k systému a zásuvce.

IX. Záruka a servis

Pokud potřebujete informace nebo jste se setkali s nějakými potížemi, navštivte webové stránky www.philips.com nebo kontaktujte zákaznický servis ve vaší zemi. Pokud ve vaší zemi není zákaznický servis, obraťte se na místního prodejce. Do dvou let od data zakoupení obdržíte bezplatný záruční servis na jakékoli poškození způsobené výrobním procesem nebo součástkami při běžném provozu, což potvrdí náš servis. Záruční servis nezahrnuje často vyměňované spotřební díly, pomocná zařízení, poplatky za dopravu a servis od dveří ke dveřím. Při údržbě předložte servisnímu personálu doklad o koupi.

X. Obsah balení

Systém (1 ks filtru 3 v 1 a 1 ks filtru RO v ceně)	1X
Napájecí adaptér se zástrčkou	1X
Trojcestný kulový ventil	1X
Rychlospojka	2X
1/4" svorka rychlospojky	8X
1/4" PE trubka	1X
Vodovodní baterie	1X
Přetlakový ventil	1X
Odtoková přípojka	1X
Návod k použití	1X

Tento návod si uschovejte pro budoucí použití.
Informace v této uživatelské příručce se mohou změnit bez předchozího upozornění uživateli.

Περιεχόμενα

I. Παρουσίαση του προϊόντος	115
-----------------------------	-----

II. Προδιαγραφές προϊόντος	116
----------------------------	-----

III. Επισκόπηση προϊόντος και απεικόνιση της	117
--	-----

IV. Εγκατάσταση	118
Προετοιμασία πριν από την εγκατάσταση	119
Εγκατάσταση της σφαιρικής βαλβίδας	119
τριών οδών	121
Εγκατάσταση της βρύσης	121
Εγκατάσταση του συστήματος	

V. Χρήση του συστήματος	124
Πριν από την πρώτη χρήση	124
Διεπαφή χρήστη	125

VI. Συντήρηση	127
Τακτική συντήρηση	127
Διάρκεια ζωής φίλτρου	127
Κασέτα φίλτρου - αντικατάσταση	128

VII. Προφυλάξεις	129
Προειδοποίηση	129

VIII. Αντιμετώπιση προβλημάτων	130
--------------------------------	-----

IX. Εγγύηση και εξυπηρέτηση	132
-----------------------------	-----

X. Λίστα συσκευασίας	132
----------------------	-----



I. Παρουσίαση του προϊόντος

Συγχαρητήρια για την αγορά σας και καλώς ήρθατε στη Philips! Το σύστημα φιλτραρίσματος νερού κάτω πάγκου με αντίστροφη όσμωση δεν είναι μόνο με υψηλό ρυθμό ροής, που εξασφαλίζει ότι κάθε σταγόνα νερού φιλτράρεται πρόσφατα, αλλά έχει επίσης έναν εξαιρετικά συμπαγή και κομψό σχεδιασμό, που μπορεί να εξοικονομήσει πολύ χώρο στην κουζίνα. Η μεμβράνη αντίστροφης όσμωσης έχει ένα βαθύ επίπεδο φιλτραρίσματος έως και 0,0001 μικρόν, που απομακρύνει αποτελεσματικά ιούς, βακτήρια, βαρέα μέταλλα, φυτοφάρμακα, σκληρότητα νερού, πτητικές οργανικές ενώσεις, χλώριο και άλλα, προσφέροντάς σας νερό με εξαιρετική γεύση.*


Διαβάστε προσεκτικά το παρόν εγχειρίδιο χρήσης πριν χρησιμοποιήσετε τη συσκευή. Κρατήστε το για μελλοντική αναφορά.

Σημείωση:

Το νερό που παρέχεται από συστήματα αντίστροφης όσμωσης έχει χαμηλή περιεκτικότητα σε μεταλλικά στοιχεία. Τα μεταλλικά άλατα που χρειάζεται ο ανθρώπινος οργανισμός παρέχονται από τις τροφές και σε μικρότερο βαθμό από το νερό που πίνουμε.

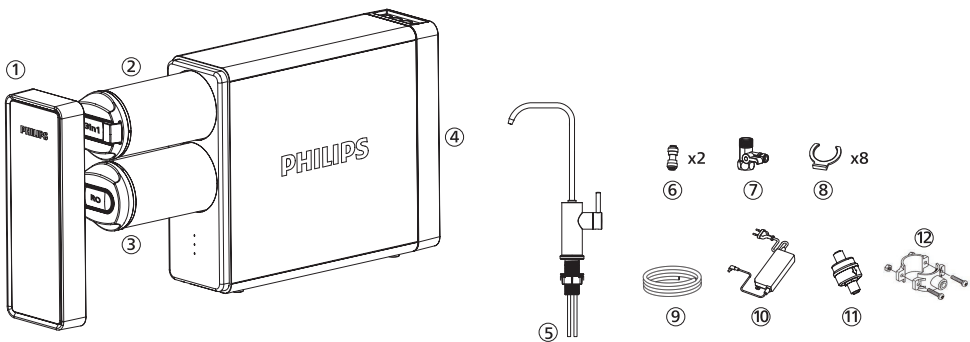
* Οι ουσίες που αφαιρούνται ή μειώνονται από αυτό το σύστημα δεν περιέχονται απαραίτητα στο νερό όλων των χρηστών.

II. Προδιαγραφές προϊόντος

Όνομα προϊόντος	Σύστημα φιλτραρίσματος νερού κάτω πάγκου με αντίστροφη όσμωση της Philips	
Μοντέλο προϊόντος	AUT4030R400	AUT4030R600
Ροή φιλτραρισμένου νερού	2 λίτρα/λεπτό	
Ροή του RO φιλτραρισμένου νερού	1,05 λίτρα/λεπτό	1,57 λίτρα/λεπτό
Ικανότητα φιλτραρίσματος	Φίλτρο 3 σε 1: 6.000 λίτρα Φίλτρο RO: 11.000 λίτρα	
Πίεση νερού εισόδου	0,1–0,4 MPa**	
Θερμοκρασία νερού εισόδου	5°C–38°C	
Υπολογισμένη τάση	24V 	
Υπολογισμένη ισχύς	55W	70W
Μέγιστο όγκο νερού εισόδου (TDS)	1 500 ppm***	
Μέγιστη σκληρότητα νερού εισόδου	15 ofH***	
Καθαρό βάρος	6,8 kg	7,2 kg
Διαστάσεις	390 * 114 * 303,5 mm	
Συνιστώμενη πηγή νερού	Δημοτικό νερό βρύσης, το οποίο πληροί όλες τις απαιτήσεις της Ευρωπαϊκής Οδηγίας για το νερό ανθρώπινης κατανάλωσης 98/83 και τις εθνικές μετατροπές της στα διάφορα κράτη μέλη της ΕΕ.	

- ** Όταν η πίεση του νερού εισόδου υπερβαίνει τα 0,4 MPa, θα πρέπει να εγκατασταθεί μια βαλβίδα εκτόνωσης της πίεσης πριν από το σύστημα. Όταν η πίεση του νερού εισόδου είναι κάτω από 0,1 MPa, θα πρέπει να εγκατασταθεί ένας ενισχυτής της πίεσης πριν από το σύστημα. Η βαλβίδα εκτόνωσης πίεσης περιλαμβάνεται στη σακούλα με τα αξεσουάρ και ο ενισχυτής πίεσης πρέπει να αγοραστεί ξεχωριστά.
- *** Εάν η αλατότητα του νερού εισόδου υπερβαίνει τα 1500 ppm ή η σκληρότητα υπερβαίνει τα 15 °HF, ενδέχεται να επηρεαστεί η διάρκεια ζωής των φίλτρων. Συμβουλευτείτε τον αντιπρόσωπό σας σχετικά με την εγκατάσταση προφίλτρων πριν από το σύστημα.

III. Επισκόπηση προϊόντος και απεικόνιση της εγκατάστασης



- | | |
|----------------------|-------------------------------|
| ① Εμπρόσθιο κάλυμμα | ⑦ Σφαιρική βαλβίδα τριών οδών |
| ② Φίλτρο 3σε1 | ⑧ Κλιπ γρήγορης σύνδεσης |
| ③ Φίλτρο RO | ⑨ 1/4" σωλήνας PE (λευκός) |
| ④ Κύρια μονάδα | ⑩ Προσαρμογέας ρεύματος |
| ⑤ Βρύση | ⑪ Βαλβίδα εκτόνωσης πίεσης |
| ⑥ Γρήγορος σύνδεσμος | ⑫ Σύνδεσμος αποστράγγισης |

IV. Εγκατάσταση

Σημείωση:

- Πριν από την εγκατάσταση, είναι σημαντικό να ελέγξετε την κατάσταση του συστήματος για να βεβαιωθείτε ότι δεν έχει υποστεί ζημιές κατά τη μεταφορά.
- Αποσυνεχάστε το σύστημα και τα αξεσουάρ του. Αφαιρέστε το προστατευτικό υλικό συσκευασίας. Για τη συσκευασία έχουν χρησιμοποιηθεί ανακυκλώσιμα υλικά και πρέπει να απορρίπτονται στους κατάλληλους κάδους ανακύκλωσης ή σε τοπικό κέντρο ανακύκλωσης.

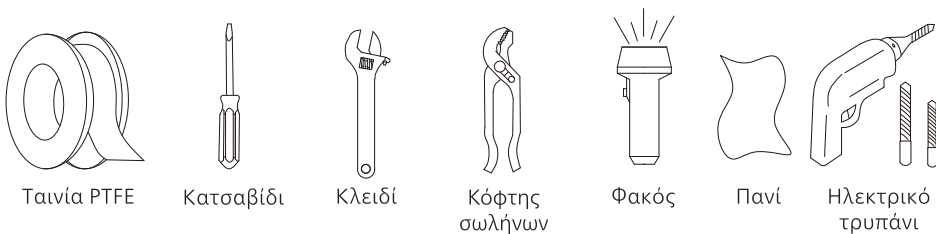
Προειδοποίηση: Κρατήστε τις πλαστικές σακούλες μακριά από τα παιδιά, καθώς μπορεί να είναι επικίνδυνες.

- Ελέγξτε αν λείπει κάτι σύμφωνα με τη λίστα συσκευασίας και την επισκόπηση.
- Δεδομένου ότι το σύστημα θα βελτιώσει την ποιότητα του πόσιμου νερού σας, όλα τα εργαλεία που θα χρησιμοποιηθούν κατά τη διαδικασία εγκατάστασης θα πρέπει να είναι καθαρά, χωρίς σκουριά και λίπη.
- Η διαδικασία εγκατάστασης πρέπει να πραγματοποιείται υπό κατάλληλες συνθήκες υγιεινής, λαμβάνοντας όλες τις απαραίτητες προφυλάξεις όσον αφορά τα υλικά και τα εξαρτήματα που θα έρθουν σε επαφή με το νερό που πρόκειται να υποστεί επεξεργασία ή να καταναλωθεί.
- Αποφύγετε την εξωτερική μόλυνση του συστήματος μέσω ακατάλληλου χειρισμού, χρησιμοποιώντας γάντια ή απολυμαντικό τζελ και πλένοντας τα χέρια όσο συχνά χρειάζεται κατά τη διαδικασία εγκατάστασης, την πρώτη χρήση και τη συντήρηση του συστήματος.
- Το σύστημα και η εγκατάσταση πρέπει να συμμορφώνονται με τους ισχύοντες τοπικούς κανονισμούς.
- Αυτό το προϊόν δεν μπορεί να απορριφθεί μαζί με άλλα οικιακά απόβλητα. Στο τέλος της διάρκειας ζωής του προϊόντος, θα πρέπει να επιστραφεί στον τόπο αγοράς ή σε ένα τοπικό κέντρο ανακύκλωσης, αναφέροντας ότι περιέχει ηλεκτρικά και ηλεκτρονικά εξαρτήματα. Η κατάλληλη συλλογή και επεξεργασία των προϊόντων που δεν πρόκειται πλέον να χρησιμοποιηθούν, συμβάλλει στη διατήρηση των φυσικών πόρων και στην αποφυγή πιθανών κινδύνων για τη δημόσια υγεία.



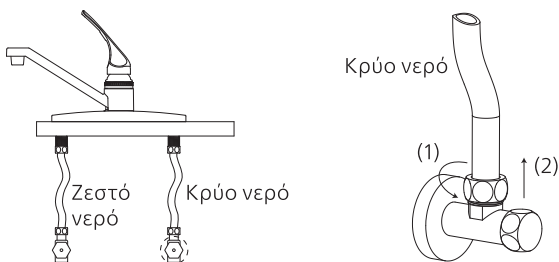
1. Προετοιμασία πριν από την εγκατάσταση

Επιλέξτε μια κατάλληλη θέση για την εγκατάσταση του συστήματος, Βεβαιωθείτε ότι υπάρχει πρίζα κοντά στη θέση εγκατάστασης, Ελέγξτε τη λίστα συσκευασίας και βεβαιωθείτε ότι έχετε όλα τα αξεσουάρ της λίστας. Ετοιμάστε τα απαραίτητα εργαλεία για την εγκατάσταση:

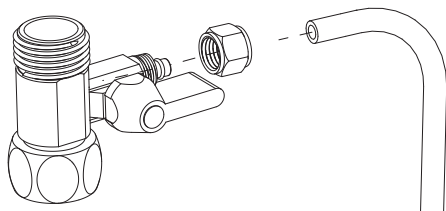


2. Εγκατάσταση της σφαιρικής βαλβίδας τριών οδών

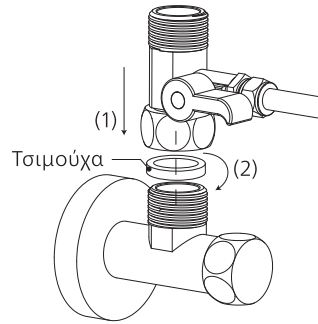
a. Κλείστε την παροχή κρύου νερού. Ανοίξτε τη βρύση κρύου νερού της κουζίνας για να απελευθερώσετε την πίεση και να αφήσετε το νερό να τρέξει. Αποσυνδέστε το σωλήνα κρύου νερού από τη βαλβίδα κρύου νερού.



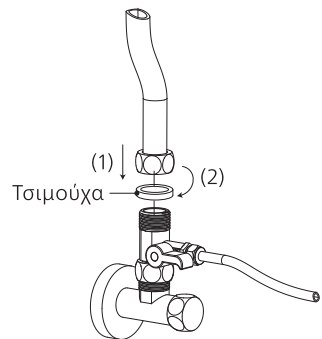
b. Σύρετε το παξιμάδι της σφαιρικής βαλβίδας τριών οδών πάνω στο σωλήνα 1/4" PE και εισάγετε τον σωλήνα στον κυρτό σύνδεσμο της σφαιρικής βαλβίδας τριών οδών. Σφίξτε το παξιμάδι με κλειδί.



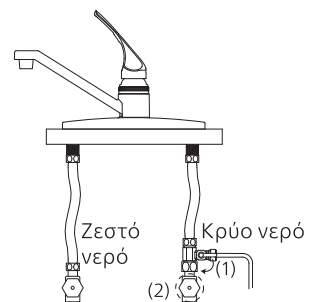
c. Τοποθετήστε τη σφαιρική βαλβίδα τριών οδών στη βαλβίδα του κρύου νερού. Μην παραλείψετε να τοποθετήσετε το παξιμάδι στο εσωτερικό της σφαιρικής βαλβίδας τριών οδών κατά την εγκατάσταση.



d. Απενεργοποιήστε τη σφαιρική βαλβίδα τριών οδών. Ανοίξτε την παροχή κρύου νερού. Σκουπίστε τις συνδέσεις με πανί για να δείτε αν υπάρχει διαρροή. Εάν το πανί παραμένει στεγνό, αυτό σημαίνει ότι η σφαιρική βαλβίδα τριών οδών έχει εγκατασταθεί σωστά



e. Συνδέστε το σωλήνα κρύου νερού με τη σφαιρική βαλβίδα τριών οδών και βιδώστε τον σφιχτά με ένα κλειδί. Μην παραλείψετε να τοποθετήσετε το παξιμάδι στο σωλήνα κρύου νερού κατά την εγκατάσταση.

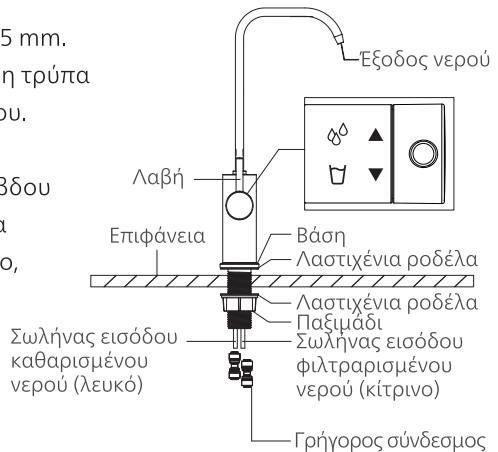


3. Εγκατάσταση της βρύσης

Σημείωση:

Επιλέξτε την κατάλληλη θέση εγκατάστασης. Το περιβάλλον στο οποίο εγκαθίσταται η βρύση πρέπει να τηρεί οποιεσδήποτε κατάλληλες συνθήκες υγιεινής και αποχέτευσης. Βεβαιωθείτε ότι η βρύση κάθεται επίπεδη πάνω στο νεροχύτη ή στην επιφάνεια του πάγκου.

- Κάντε μια τρύπα διαμέτρου περίπου 26-35 mm. Παραλείψτε αυτό το βήμα εάν υπάρχει ήδη τρύπα στο νεροχύτη ή στην επιφάνεια του πάγκου.
- Τοποθετήστε τη βρύση σύμφωνα με το διάγραμμα. Βιδώστε τα παξιμάδια της ράβδου βρύσης στη ράβδο βρύσης και βιδώστε τα σφιχτά. Κάτω από το νεροχύτη ή τον πάγκο, τοποθετήστε τους σωλήνες εισόδου της βρύσης στους ταχυσυνδέσμους και χρησιμοποιήστε συνδετήρες για να ασφαλίσετε τους σωλήνες.



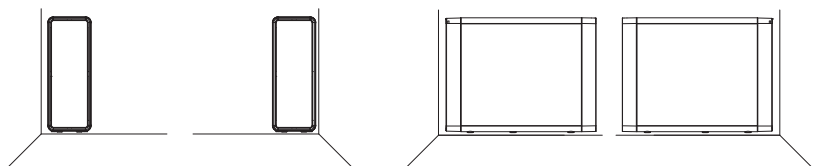
4. Εγκατάσταση του συστήματος

Σημείωση:

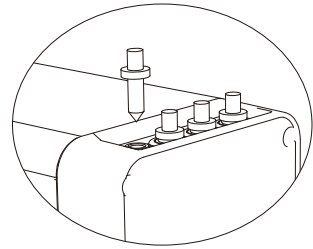
Ελέγξτε αν υπάρχει επαρκής χώρος για την εγκατάσταση του ίδιου του συστήματος, των εξαρτημάτων του, των συνδέσεων, καθώς και για τη συντήρηση και την επισκευή του. Σε καμία περίπτωση το σύστημα δεν πρέπει να εγκατασταθεί σε εξωτερικούς χώρους. Το περιβάλλον στο οποίο εγκαθίσταται το σύστημα πρέπει να έχει τις κατάλληλες συνθήκες υγιεινής και αποχέτευσης. Βεβαιωθείτε ότι δεν στάζουν τυχόν εξωτερικά υγρά από σωλήνες ή αποχετεύσεις κ.λπ. στο σύστημα.

Αυτό το σύστημα πρέπει να τοποθετείται σε σταθερή και επίπεδη επιφάνεια. Κρατήστε το σύστημα μακριά από θερμότητα. Δεν πρέπει να τοποθετείται σε χώρο που μπορεί να έχει διαρροή εύφλεκτων αερίων.

- Βρείτε την κατάλληλη θέση για το σύστημα



b. Τραβήξτε τις τάπες σιλικόνης από τις οπές εισόδου και εξόδου νερού στο επάνω μέρος του συστήματος.



c. Συνδέστε την είσοδο νερού και τη σφαιρική βαλβίδα τριών οδών.

Μετρήστε το μήκος του σωλήνα 1/4" που χρειάζεστε για να συνδέσετε το σύστημα και τη σφαιρική βαλβίδα τριών οδών και κόψτε τον ανάλογα με έναν κόφτη σωλήνων.

Τοποθετήστε το άλλο άκρο του σωλήνα 1/4" που έχει συνδεθεί με τη σφαιρική βαλβίδα τριών οδών στην οπή εισόδου νερού στην κορυφή του συστήματος.

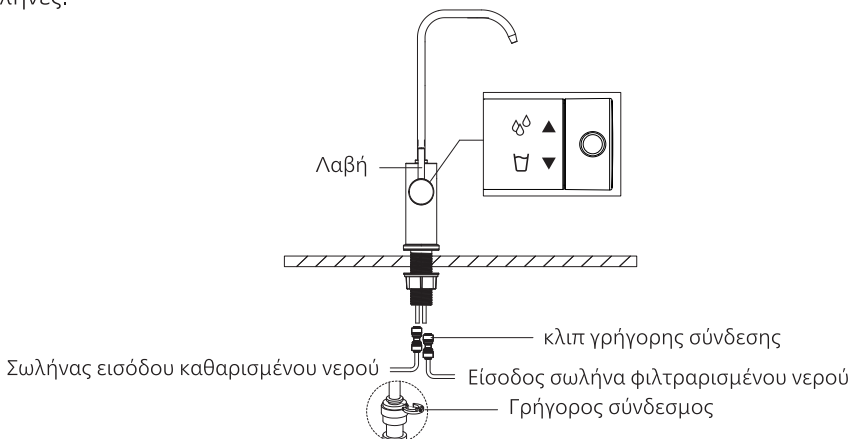
Χρησιμοποιήστε συνδετήρα τύπου κλιπ για να στερεώσετε τον σωλήνα στο άνοιγμα.

d. Συνδέστε την έξοδο νερού και τη βρύση.

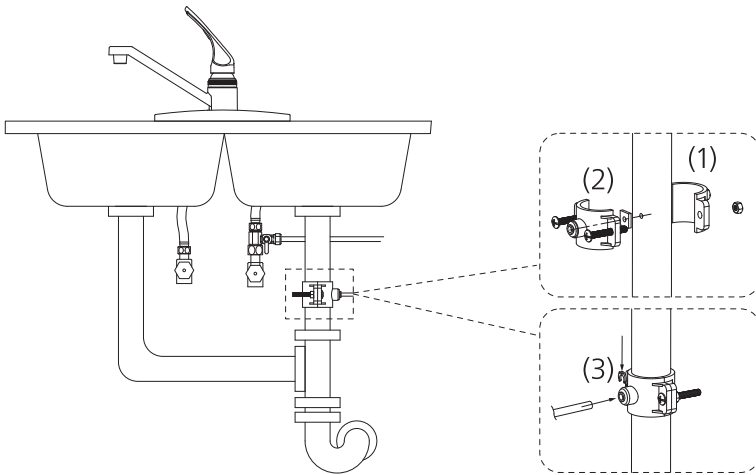
Αφού μετρήσετε το μήκος του σωλήνα 1/4" που χρειάζεστε για να συνδέσετε το σύστημα και τη βρύση, κόψτε το σωλήνα 1/4" με έναν κόφτη σωλήνων. Τοποθετήστε το ένα άκρο του σωλήνα στον ταχυσύνδεσμο που έχει συνδεθεί με τον σωλήνα εισόδου καθαρισμένου νερού (λευκό) της βρύσης. Εισάγετε το άλλο άκρο του σωλήνα στην οπή εξόδου καθαρισμένου νερού στο επάνω μέρος του συστήματος μέχρι το κάτω μέρος.

Χρησιμοποιήστε συνδετήρες ταχείας σύνδεσης για να ασφαλίσετε τους σωλήνες.

Κόψτε έναν άλλο σωλήνα 1/4" με τον κόφτη σωλήνων. Τοποθετήστε το ένα άκρο του σωλήνα στον ταχυσύνδεσμο που έχει συνδεθεί με τον σωλήνα εισόδου φιλτραρισμένου νερού (κίτρινο) της βρύσης. Εισάγετε το άλλο άκρο του σωλήνα στην οπή εξόδου φιλτραρισμένου νερού στο επάνω μέρος του συστήματος μέχρι το κάτω μέρος. Χρησιμοποιήστε συνδετήρες ταχείας σύνδεσης για να ασφαλίσετε τους σωλήνες.



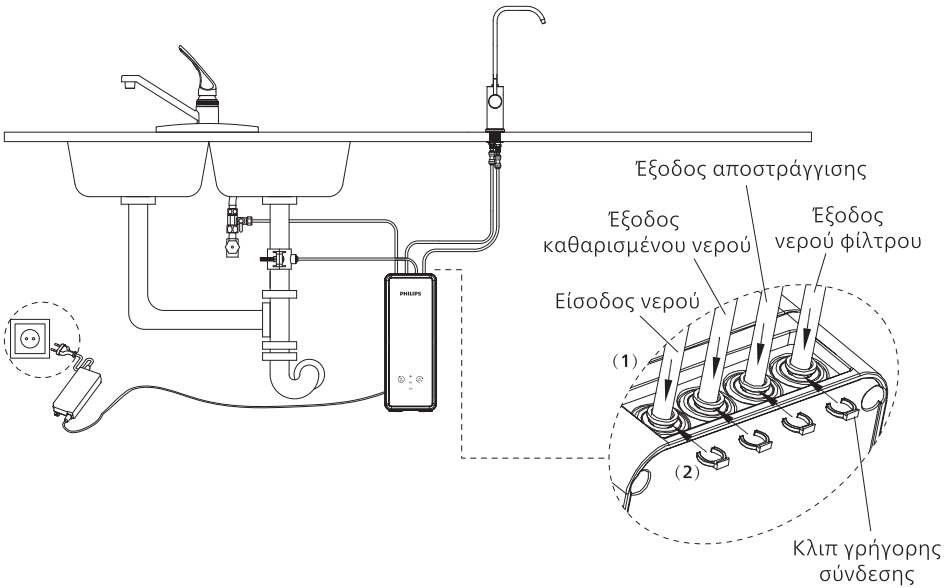
ε. Συνδέστε την έξοδο του νερού αποστράγγισης και τον σύνδεσμο αποστράγγισης. Επιλέξτε ένα κατάλληλο σημείο στο σωλήνα αποστράγγισης για να ανοίξετε μια τρύπα 6,5 mm. Τοποθετήστε το σύνδεσμο αποστράγγισης σύμφωνα με το διάγραμμα. Σφίξτε καλά τα παξιμάδια. Κόψτε ένα τμήμα του σωλήνα 1/4". Εισάγετε το ένα άκρο του σωλήνα στην οπή εξόδου αποστράγγισης στο επάνω μέρος του συστήματος μέχρι το κάτω μέρος. Χρησιμοποιήστε συνδετήρα τύπου κλιπ για να στερεώσετε τον σωλήνα στο άνοιγμα. Τοποθετήστε το άλλο άκρο του σωλήνα στον σύνδεσμο αποστράγγισης.



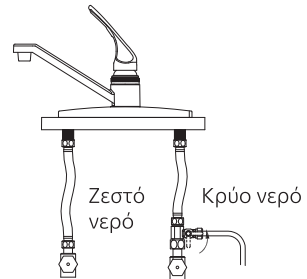
Σημείωση:

- Μην εγκαταστήσετε τον σύνδεσμο αποστράγγισης στον ίδιο σωλήνα αποστράγγισης με τον σκουπιδοφάγο.
- Κατά τη διάνοιξη της οπής μην εισχωρήσετε στην αντίθετη πλευρά του σωλήνα.

f. Συνδέστε το τροφοδοτικό με το σύστημα. ΜΗΝ βάζετε ακόμα το φινι στην πρίζα.



g. Ελέγξτε αν το σύστημα έχει εγκατασταθεί σωστά και ενεργοποιήστε τη σφαιρική βαλβίδα τριών οδών.

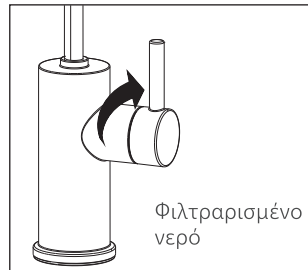
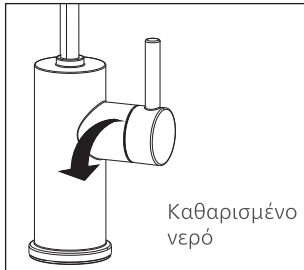


V. Χρήση του συστήματος

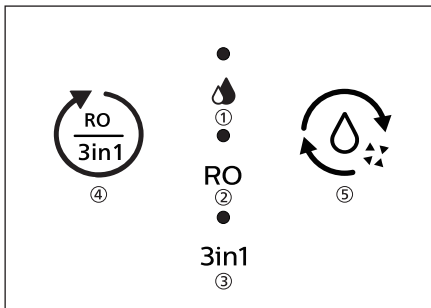
1. Πριν από την πρώτη χρήση

a. Συνδέστε το σύστημα στο ρεύμα. Θα ακούσετε ένα ηχητικό σήμα και όλες οι ενδείξεις θα ανάψουν για 3 δευτερόλεπτα. Το σύστημα θα εισέλθει στη λειτουργία αυτόματου ξεπλύματος. Σκουπίστε όλες τις ενώσεις και τις συνδέσεις με πανί για να ελέγξετε αν υπάρχει διαρροή. Εάν το πανί παραμένει στεγνό, σημαίνει ότι το σύστημα έχει εγκατασταθεί σωστά. Εάν δεν υπάρξει περαιτέρω λειτουργία σε 10 δευτερόλεπτα μετά το αυτόματο ξέπλυμα, το σύστημα θα μεταβεί σε κατάσταση αναμονής.

b. Αφού ολοκληρωθεί το αυτόματο ξέπλυμα, ανοίξτε το καθαρισμένο νερό (περιστρέψτε τη λαβή της βρύσης αριστερόστροφα) για να αφήσετε το νερό να τρέξει για 15 λεπτά. Μετά από αυτό, κλείστε τη βρύση για τουλάχιστον 10 δευτερόλεπτα και, στη συνέχεια, ανοίξτε ξανά το καθαρισμένο νερό για άλλα 15 λεπτά, τα οποία είναι για το ξέπλυμα του αέρα και των λεπτών άνθρακα μέσω των φίλτρων. Μετά από αυτό, το σύστημα είναι έτοιμο και μπορείτε να αρχίσετε να απολαμβάνετε τόσο καθαρισμένο όσο και φιλτραρισμένο νερό.



2. Διεπαφή χρήστη



- ① Ενδειξη κατάστασης λειτουργίας
- ② Ενδειξη διάρκειας ζωής φίλτρου RO
- ③ Ενδειξη διάρκειας ζωής φίλτρου 3σε1
- ④ Κουμπί επαναφοράς
- ⑤ Κουμπί ξέπλυματος

a. Ενδειξη κατάστασης λειτουργίας:

Κατάσταση	Δείκτης
Κανονική λειτουργία	Σταθερό μπλε φως
Ξέπλυμα	Αναβοσβήνει μπλε φως
Σφάλμα	Κόκκινη ένδειξη που αναβοσβήνει
Αναμονή	Απενεργ.

b. Ένδειξη διάρκειας ζωής φίλτρου

Κατάσταση	Δείκτης	Ηχητική ειδοποίηση
Περισσότερα από 14 ημέρες	Σταθερό μπλε φως	Μη διαθέσιμο
Λιγότερο από 14 ημέρες	Κόκκινη ένδειξη που αναβοσβήνει	Θα ακουστούν ηχητικά σήματα για 6 δευτερόλεπτα μετά το άνοιγμα της βρύσης, που θα σας υπενθυμίζουν ότι πρέπει να αντικαταστήσετε το φίλτρο.
Το φίλτρο έχει φτάσει στο τέλος της ζωής του και πρέπει να αντικατασταθεί αμέσως.	Σταθερό κόκκινο φως	Κάθε φορά που ανοίγει η βρύση, θα ακούγονται ηχητικά σήματα που θα σας υπενθυμίζουν ότι πρέπει να αντικαταστήσετε το φίλτρο.

c. Προστασία υπερωρίας

Εάν το σύστημα λειτουργεί συνεχώς για 30 λεπτά, το σύστημα θα μεταβεί σε κατάσταση προστασίας και θα απενεργοποιηθεί. Εν τω μεταξύ, η ένδειξη κατάστασης λειτουργίας αναβοσβήνει με κόκκινο χρώμα και θα ακούσετε 15 ηχητικά σήματα. Αποσυνδέστε το σύστημα από την πρίζα, περιμένετε 1 λεπτό και συνδέστε το ξανά για να αντιμετωπίσετε το πρόβλημα.

d. Αυτόματο ξέπλυμα

- Το σύστημα ξεπλένεται αυτόματα για 18 δευτερόλεπτα κατά την ενεργοποίησή του.
- Το σύστημα ξεπλένεται αυτόματα για 6 δευτερόλεπτα όταν έχει λειτουργήσει για 5 λεπτά.
- Το σύστημα ξεπλένεται αυτόματα για 30 δευτερόλεπτα όταν βρίσκεται σε κατάσταση αναμονής για 72 ώρες.

e. Κουμπί ξεπλύματος

Μπορείτε να ξεπλύνετε χειροκίνητα το σύστημα πατώντας το κουμπί ξεπλύματος όταν το σύστημα βρίσκεται σε κατάσταση αναμονής. Κατά τη διάρκεια του ξεπλύματος, πατήστε ξανά το κουμπί ξεπλύματος για να το σταματήσετε.

f. Κουμπί επαναφοράς

Για να μηδενίσετε τη διάρκεια ζωής του φίλτρου, πατήστε παρατεταμένα το κουμπί επαναφοράς για 3 δευτερόλεπτα. Θα ακούσετε ένα ηχητικό σήμα και η ένδειξη της διάρκειας ζωής του φίλτρου RO θα αναβοσβήνει με μπλε χρώμα. Πατήστε σύντομα ξανά το κουμπί επαναφοράς για να επιλέξετε το φίλτρο που πρέπει να επαναφερθεί. Όταν η ένδειξη του επιλεγμένου φίλτρου αναβοσβήνει, πατήστε παρατεταμένα το κουμπί επαναφοράς για 5 δευτερόλεπτα. Θα ακούσετε ένα ηχητικό σήμα και η ένδειξη του επιλεγμένου φίλτρου θα ανάψει σταθερά με μπλε χρώμα αφού αναβοσβήσει δύο φορές. Αυτό σημαίνει ότι η διάρκεια ζωής του φίλτρου έχει μηδενιστεί επιτυχώς.

VI. Συντήρηση

1. Τακτική συντήρηση

- Οργανικός διαλύτης όπως βενζίνη δεν πρέπει να χρησιμοποιείται για το σκούπισμα των σωλήνων της συσκευής. Εάν απαιτείται καθαρισμός, σκουπίστε απαλά την επιφάνεια του προϊόντος με ένα υγρό πανί αφού το αποσυνδέσετε από την παροχή ρεύματος
- Εάν το σύστημα δεν χρησιμοποιηθεί για περισσότερες από 2 ημέρες, ανοίξτε το καθαρισμένο νερό και αφήστε το νερό να τρέξει για τουλάχιστον 5 λεπτά για να ξεπλύνετε τα φίλτρα και το σύστημα.
- Εάν το σύστημα δεν πρόκειται να χρησιμοποιηθεί για μεγάλο χρονικό (<7 ημέρες) διάστημα, βγάλτε τις κασέτες φίλτρου, σφραγίστε τις με πλαστικό περιτύλιγμα και αποθηκεύστε τις στο ψυγείο (όχι στην κατάψυξη).
Κλείστε τη σφαιρική βαλβίδα τριών οδών, ανοίξτε το καθαρισμένο νερό για να αδειάσει το σύστημα και κλείστε το ρεύμα. Πριν το χρησιμοποιήσετε ξανά, ανοίξτε το καθαρισμένο νερό για τουλάχιστον 10 λεπτά για να ξεπλύνετε τα φίλτρα και το σύστημα.

2. Διάρκεια ζωής φίλτρου

Σημείωση:

Για την καλύτερη δυνατή απόδοση, αλλάξτε την κασέτα φίλτρου σύμφωνα με την ένδειξη της διάρκειας ζωής του φίλτρου ή τον κύκλο αντικατάστασης του φίλτρου που προτείνεται παρακάτω. Όταν παρατηρείται σημαντικά χαμηλότερος ρυθμός ροής, συνιστούμε να αλλάξετε και τα φίλτρα.

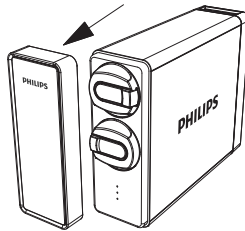
Αυτό το σύστημα μπορεί να λειτουργήσει μόνο με φίλτρα Philips.

Φίλτρο	Κωδικός μοντέλου φίλτρου	Κωδικός μοντέλου συστήματος	Διάρκεια ζωής φίλτρου
Σύνθετο φίλτρο 3σε1	AUT812	AUT4030R400 AUT4030R600	Έως 12 μήνες*
Φίλτρο RO	AUT870R400	AUT4030R400	Έως 36 μήνες*
Φίλτρο RO	AUT870R600	AUT4030R600	Έως 36 μήνες*

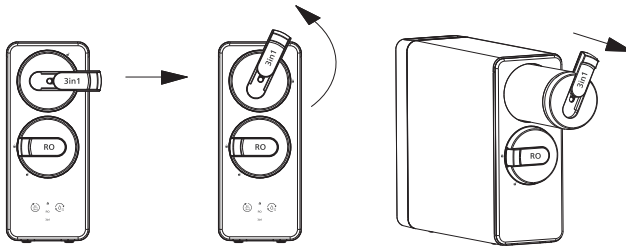
* Η πραγματική διάρκεια ζωής της κασέτας φίλτρου εξαρτάται από την ποιότητα του νερού της τοπικής βρύσης και την καθημερινή χρήση. Η συνιστώμενη συχνότητα αντικατάστασης αποτελεί μέσο όρο με βάση τη διαφορετική τοπική ποιότητα του νερού της βρύσης. Εάν η ποιότητα του νερού της τοπικής βρύσης είναι κάτω από το μέσο όρο, η πραγματική διάρκεια ζωής της κασέτας θα διαφέρει από την συνιστώμενη συχνότητα αντικατάστασης. Εάν η κασέτα φίλτρου είναι βουλωμένη, αντικαταστήστε την.

3. Κασέτα φίλτρου - αντικατάσταση

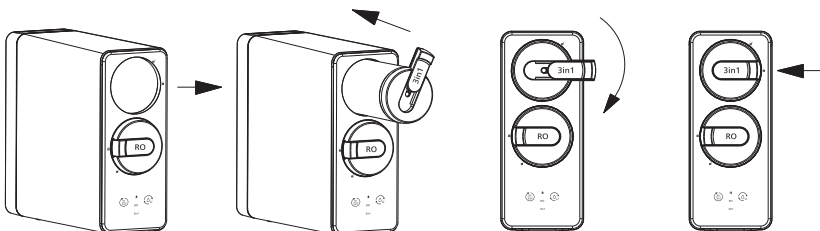
- a. Απενεργοποιήστε το ρεύμα και κλείστε τη σφαιρική βαλβίδα τριών οδών πριν από την αντικατάσταση των κασετών φίλτρου.
- b. Αφαιρέστε το μπροστινό κάλυμμα.



- c. Τραβήξτε το μοχλό του φίλτρου που πρέπει να αντικατασταθεί, περιστρέψτε τον αριστερόστροφα και βγάλτε το φίλτρο.



- d. Αφαιρέστε τη συσκευασία του νέου φίλτρου και τοποθετήστε το φίλτρο στο σύστημα (τραβήξτε το μοχλό του φίλτρου προς τα έξω, ευθυγραμμίστε το μοχλό με το εικονίδιο ξεκλειδώματος στο σύστημα και σπρώξτε τον ως το τέλος)- περιστρέψτε το μοχλό δεξιόστροφα ως το τέλος και σπρώξτε το μοχλό προς τα πίσω (βεβαιωθείτε ότι ο μοχλός είναι ευθυγραμμισμένος με το εικονίδιο κλειδώματος στο σύστημα).



- e. Ενεργοποιήστε τη σφαιρική βαλβίδα τριών οδών και επανασυνδέστε με το ρεύμα. Εάν το φίλτρο που έχει αντικατασταθεί είναι φίλτρο RO, ανοίξτε το καθαρισμένο νερό (περιστρέψτε τη λαβή της βρύσης αριστερόστροφα) για να αφήσετε το νερό να τρέξει για 15 λεπτά. Μετά από αυτό, κλείστε τη βρύση για τουλάχιστον 10 δευτερόλεπτα και, στη συνέχεια, ανοίξτε ξανά το καθαρισμένο νερό για άλλα 15 λεπτά. Εάν πρόκειται για το φίλτρο 3σε1, ενεργοποιήστε το φιλτραρισμένο νερό και αφήστε το νερό να τρέξει για 10 λεπτά.
- f. Μηδενίστε τη διάρκεια ζωής του φίλτρου σύμφωνα με το κεφάλαιο V.

VII. Προφυλάξεις

1. Προειδοποίηση

- Χρησιμοποιείτε πάντα νερό βρύσης ως πηγή νερού. Μην χρησιμοποιείτε νερό που είναι μικροβιολογικά μη ασφαλές ή άγνωστης ποιότητας χωρίς επαρκή απολύμανση πριν ή μετά το σύστημα.
- Αυτό το σύστημα δεν προορίζεται για χρήση από άτομα (συμπεριλαμβανομένων των παιδιών) με μειωμένες αισθητηριακές ή διανοητικές ικανότητες ή έλλειψη εμπειρίας και γνώσεων, εκτός εάν τους παρέχονται οδηγίες ή επίβλεψη σχετικά με τη χρήση της συσκευής από άτομο υπεύθυνο για την ασφάλειά τους. Τα παιδιά θα πρέπει να επιβλέπονται για να διασφαλίζεται ότι δεν παίζουν με το σύστημα.
- Φροντίστε να χειρίζεστε το σύστημα απαλά και προσεκτικά. Μην επιχειρήσετε να τροποποιήσετε ή να επισκευάσετε το σύστημα μόνοι σας, διαφορετικά, η εγγύηση παύει να ισχύει.
- Αυτή η συσκευή προορίζεται μόνο για οικιακή χρήση.
- Η θερμοκρασία του νερού εισόδου του συστήματος θα πρέπει να είναι εντός 5-38 °C. Όταν η θερμοκρασία του νερού εισόδου υπερβαίνει τους 38°C, το φίλτρο μπορεί να υποστεί βλάβη και να γίνει άχρηστο. Εάν η θερμοκρασία του νερού εισόδου είναι χαμηλότερη από 5°C, μπορεί να προκληθεί πάγωμα και να σπάσουν τα μέρη του συστήματος, με αποτέλεσμα τη διαρροή νερού.
- Μην αντιστρέψετε τη σειρά εγκατάστασης των κασετών φίλτρου για να μην επηρεαστεί η απόδοση του φίλτρου του συστήματος.
- Εάν το σύστημα δεν λειτουργεί κανονικά ή είναι ελαττωματικό, σταματήστε αμέσως τη χρήση του. Κλείστε τη βαλβίδα της εισόδου νερού και ανοίξτε τη βρύση για να αδειάσει το σύστημα. Τα σφάλματα μπορεί να είναι:
 - Διαρροή
 - Το προϊόν έχει ραγές ή είναι κατεστραμμένο

- Υπάρχει ασυνήθιστος ήχος ή μυρωδιά καμένου
- Το βύσμα ή το καλώδιο τροφοδοσίας είναι ασυνήθιστα θερμό
- Το μηχάνημα δεν λειτουργεί

Επικοινωνήστε αμέσως με την υπηρεσία εξυπηρέτησης καταναλωτών για επιθεώρηση.

- Εάν δεν χρησιμοποιείτε το σύστημα για μεγάλο χρονικό διάστημα, κλείστε την παροχή νερού και ανοίξτε τη βρύση για να εκτονώσετε την εσωτερική πίεση, ώστε να αποφύγετε βλάβες στο σύστημα.

VIII. Αντιμετώπιση προβλημάτων

Πρόβλημα	Πιθανές αιτίες	Λύσεις
Δεν βγαίνει νερό από τη βρύση.	Η βαλβίδα κρύου νερού ή η σφαιρική βαλβίδα τριών οδών είναι κλειστή.	Ανοίξτε τις βαλβίδες.
	Το σύστημα δεν είναι συνδεδεμένο σε παροχή ρεύματος.	Ελέγξτε αν το τροφοδοτικό είναι σωστά συνδεδεμένο στο σύστημα και στην πρίζα ρεύματος.
Η ροή αποδυναμώνει.	Το φίλτρο είναι μπλοκαρισμένο.	Αντικαταστήστε το φίλτρο.
	Η πίεση του νερού εισόδου είναι χαμηλή.	Περιμένετε έως ότου σταθεροποιηθεί η πίεση του νερού εισόδου ή εγκαταστήστε ένα σύστημα ενίσχυσης της πίεσης πριν από το σύστημα, εάν η πίεση του νερού εισόδου είναι συνεχώς χαμηλότερη από 0,1 MPa.
Κακή ποιότητα νερού εξόδου.	Το φίλτρο έχει φτάσει στο τέλος της ζωής του.	Αντικαταστήστε το φίλτρο.
	Το σύστημα δεν έχει χρησιμοποιηθεί εδώ και αρκετό καιρό.	Ανοίξτε το καθαρισμένο νερό και αφήστε το νερό να τρέξει για 5 λεπτά.
	Η ποιότητα του νερού εισόδου είναι κακή.	Χρησιμοποιείτε πάντα νερό βρύσης ως πηγή νερού. Μην χρησιμοποιείτε νερό που είναι μικροβιολογικά μη ασφαλές ή άγνωστης ποιότητας χωρίς επαρκή απολύμανση πριν ή μετά το σύστημα.

<p>Η ένδειξη κατάστασης λειτουργίας ανάβει με κόκκινο χρώμα και ακούγονται ηχητικά σήματα.</p>	<p>Το σύστημα φιλτράρει το νερό συνεχώς για 30 λεπτά.</p>	<p>Αποσυνδέστε το σύστημα από την πρίζα, περιμένετε 1 λεπτό και συνδέστε το ξανά για να αντιμετωπίσετε το πρόβλημα.</p>
<p>Οι ενδείξεις διάρκειας ζωής του φίλτρου δεν ανάβουν όταν ανοίγει η βρύση.</p>	<p>Η πλακέτα PCB έχει υποστεί ζημιά.</p>	<p>Επικοινωνήστε με την εξυπηρέτηση καταναλωτών.</p>
<p>Το κουμπί επαναφοράς δεν λειτουργεί.</p>	<p>Δεν πατήσατε το κουμπί για αρκετή ώρα ώστε να ενεργοποιηθεί η επαναφορά.</p>	<p>Πιέστε παρατεταμένα το κουμπί επαναφοράς για 3 δευτερόλεπτα για να επιλέξετε το φίλτρο που πρέπει να μηδενιστεί, Πατήστε παρατεταμένα το κουμπί επαναφοράς για 5 δευτερόλεπτα για να μηδενίσετε το επιλεγμένο φίλτρο.</p>
<p>Το κουμπί ξεπλύματος δεν λειτουργεί.</p>	<p>Η μονάδα κουμπιών έχει υποστεί ζημιά</p>	<p>Επικοινωνήστε με την εξυπηρέτηση καταναλωτών.</p>
<p>Οι ενδείξεις δεν ανάβουν.</p>	<p>Το σύστημα δεν είναι συνδεδεμένο σε παροχή ρεύματος.</p>	<p>Ελέγξτε αν το τροφοδοτικό είναι σωστά συνδεδεμένο στο σύστημα και στην πρίζα ρεύματος.</p>

IX. Εγγύηση και εξυπηρέτηση

Εάν χρειάζεστε πληροφορίες ή εάν έχετε οποιοδήποτε πρόβλημα, επισκεφθείτε www.philips.com ή επικοινωνήστε με το κέντρο εξυπηρέτησης καταναλωτών στη χώρα σας. Εάν δεν υπάρχει κέντρο εξυπηρέτησης καταναλωτών στη χώρα σας, απευθυνθείτε σε έναν τοπικό αντιπρόσωπο. Εντός δύο ετών από την ημερομηνία αγοράς, θα λάβετε δωρεάν υπηρεσία εγγύησης για τυχόν ζημιές που προκαλούνται από τη διαδικασία κατασκευής ή από εξαρτήματα υπό κανονική λειτουργία που επιβεβαιώνονται από την υπηρεσία συντήρησης. Η υπηρεσία εγγύησης δεν περιλαμβάνει τα αναλώσιμα εξαρτήματα που αντικαθίστανται συχνά, τις βοηθητικές συσκευές, έξοδα μεταφοράς και σέρβις από πόρτα σε πόρτα. Για συντήρηση, δείξτε την απόδειξη αγοράς στο προσωπικό σέρβις.

X. Λίστα συσκευασίας

Σύστημα (1τεμ. φίλτρου 3σε1 και 1τεμ. φίλτρο RO περιλαμβάνονται)	1X
Προσαρμογέας ρεύματος με φισ	1X
Σφαιρική βαλβίδα τριών οδών	1X
Γρήγορος σύνδεσμος	2X
1/4" Κλιπ γρήγορης σύνδεσης	8X
Σωλήνας PE 1/4"	1X
Βρύση	1X
Βαλβίδα εκτόνωσης πίεσης	1X
Σύνδεσμος αποστράγγισης	1X
Εγχειρίδιο χρήσης	1X

Índice

I. Introdução do produto	134
--------------------------	-----

II. Especificações do produto	135
-------------------------------	-----

III. Descrição geral do produto e ilustração da instalação	136
--	-----

IV. Instalação	137
Preparativos antes da instalação	138
Instalação da válvula de esfera de três vias	138
Instalação da torneira	140
Instalação do sistema	140

V. Uso do sistema	143
Antes da primeira utilização	143
Interface do utilizador	144

VI. Manutenção	146
Manutenção de rotina	146
Vida útil do filtro	146
Substituição do cartucho do filtro	147

VII. Precauções	148
Aviso	148

VIII. Resolução de problemas	149
------------------------------	-----

IX. Garantia e serviço	151
------------------------	-----

X. Lista de conteúdo	151
----------------------	-----



Instalação

I. Introdução do produto

Parabéns pela sua compra e bem-vindo à Philips. O nosso sistema de filtração de água por osmose inversa por baixo do lava-loiça tem não só um elevado fluxo de filtração, o que assegura que cada gota de água seja fornecida acabada de filtrar, como também apresenta um design ultracompacto e sem depósito, o que permite poupar muito espaço na cozinha. A membrana de osmose inversa tem um nível de filtração profundo de até 0,0001 microns, que elimina eficazmente os vírus, as bactérias, os metais pesados, os pesticidas, a dureza da água, os compostos orgânicos voláteis, o cloro, etc., e proporciona, assim, água de excelente sabor.*


Leia sempre este manual do utilizador antes de utilizar o aparelho. Guarde-o para futuras referências.

Nota:

A água abastecida pelos sistemas de osmose inversa tem um baixo teor em minerais. Os sais minerais de que o corpo humano necessita são fornecidos pelos alimentos e, em menor medida, pela água que bebemos.

* As substâncias que este sistema elimina ou reduz não se encontram necessariamente na água de todos os utilizadores.

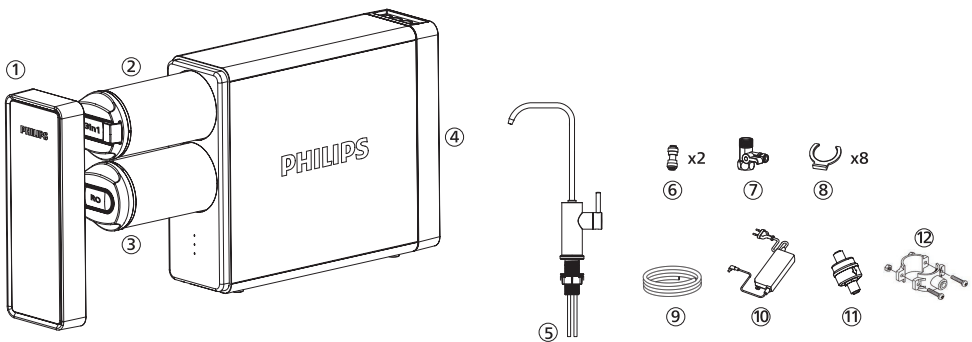
II. Especificações do produto

Nome do produto	Sistema de filtração de água por osmose inversa Philips debaixo do lava-loiça	
Modelo do producto	AUT4030R400	AUT4030R600
Fluxo de água filtrada	2 litros/minuto	
Fluxo de água purificada	1,1 litros/minuto	1,6 litros/minuto
Capacidade de filtração	Filtro 3 em 1: 6000 litros Filtro de osmose inversa: 11 000 litros	
Pressão da água de entrada	0,1- 0,4 MPa**	
Temperatura da água de entrada	5°C - 38°C	
Tensão nominal	24V 	
Potência nominal	55W	70W
TDS máximo na água de entrada	1500 ppm***	
Dureza máxima da água de entrada	15 °fH***	
Peso líquido	6,8 kg	7,2 kg
Dimensões	390 * 114 * 303,5 mm	
Fonte de água aplicável	A água da torneira municipal, que cumpre todos os requisitos da Diretiva Europeia da Água para consumo humano 98/83 e das suas transposições nacionais nos diferentes Estados-membro da UE.	

** Quando a pressão da água de entrada excede os 0,4 MPa, deve ser instalada uma válvula de alívio de pressão antes do sistema. Quando a pressão da água de entrada é inferior a 0,1 MPa, deve ser instalado um reforçador de pressão antes do sistema. A válvula de alívio de pressão está incluída no saco de acessórios e o reforçador de pressão deve ser adquirido separadamente.

*** Se a salinidade da água de entrada excede as 1500 ppm, ou a dureza excede os 15 °fH, a vida útil dos filtros pode ser afetada. Consulte o seu distribuidor sobre a instalação de pré-filtros antes do sistema.

III. Descrição geral do produto e ilustração da instalação



- | | |
|----------------------------|----------------------------------|
| ① Capa | ⑦ Válvula de esfera de três vias |
| ② Filtro 3 em 1 | ⑧ Clip de ligação rápida |
| ③ Filtro de osmose inversa | ⑨ Tubo de 1/4" de PE (branco) |
| ④ Unidade principal | ⑩ Adaptador de corrente |
| ⑤ torneira | ⑪ Válvula de alívio de pressão |
| ⑥ Conector rápido | ⑫ Conector de drenagem |

IV. Instalação

Nota:

- Antes da instalação, é importante verificar o estado do sistema para garantir que este não foi danificado durante o transporte.
- Desembale o sistema e os seus acessórios. Retire o material de proteção da embalagem. Foram utilizados materiais recicláveis para a embalagem e devem ser eliminados nos contentores de reciclagem adequados ou no centro de reciclagem local específico.

Aviso: Mantenha as esferas de plástico longe do alcance das crianças, pois podem ser perigosas.

- Verifique se falta alguma coisa de acordo com a lista de conteúdo e a descrição geral.
- Uma vez que o sistema melhorará a qualidade da sua água potável, todas as ferramentas utilizadas no processo de instalação devem estar limpas, sem ferrugem nem gordura.
- O processo de instalação deve ser realizado em condições de higiene adequadas, e devem ser tomadas todas as precauções necessárias no que diz respeito aos materiais e componentes que estarão em contacto com a água a tratar ou consumir.
- Evite a contaminação externa do sistema por manuseamento incorreto: para isso, use luvas, gel desinfetante e lave as mãos com a frequência necessária durante o processo de instalação, a primeira utilização e a manutenção do sistema.
- O sistema e a instalação deverão cumprir os regulamentos locais aplicáveis.
- Este produto não pode ser eliminado com outros resíduos domésticos.

No final da vida do produto, este deve ser devolvido ao local de compra, ou a um centro de reciclagem local, e deve-se indicar que contém componentes elétricos e eletrónicos. A recolha e o tratamento adequados dos produtos que já não serão utilizados contribuem para a preservação dos recursos naturais e evitam qualquer risco potencial para a saúde pública.

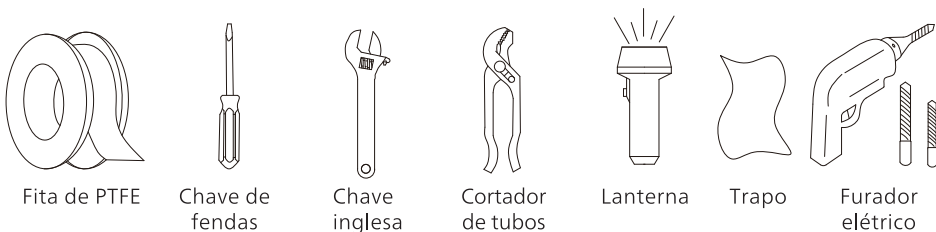


1. Preparativos antes da instalação

Escolha uma posição adequada para instalar o sistema.

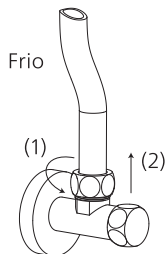
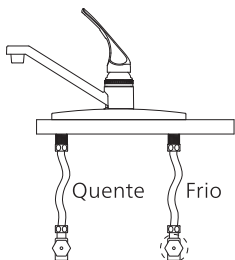
Certifique-se de que existe uma tomada de corrente perto da posição de instalação.

Verifique a lista de conteúdo e certifique-se de que tem todos os acessórios. Prepare as ferramentas necessárias para a instalação:

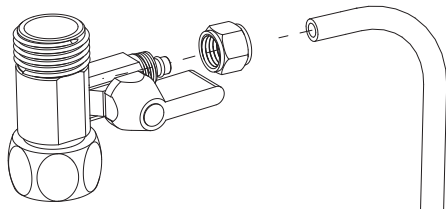


2. Instalação da válvula de esfera de três vias

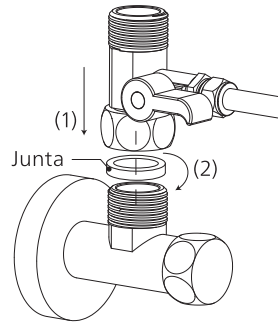
a. Desligue o abastecimento de água fria. Abra a torneira de água fria da cozinha para libertar a pressão e permitir que a água saia da linha. Desligue a mangueira de água fria da válvula de água fria.



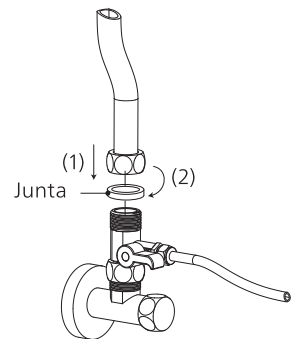
b. Introduza a porca da válvula de esfera de três vias no tubo de 1/4" de PE e introduza o tubo no conector convexo da válvula de esfera de três vias. Aperte a porca com uma chave inglesa.



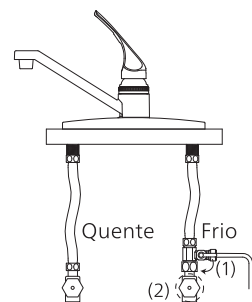
c. Instale a válvula de esfera de três vias na válvula de água fria. Não perca a junta dentro da válvula de esfera de três vias durante a instalação.



d. Ligue a mangueira de água fria à válvula de esfera de três vias e aperte-a firmemente com uma chave inglesa. Não perca a junta na mangueira de água fria durante a instalação.



e. Feche da válvula de esfera de três vias. Abra o abastecimento de água fria. Limpe as uniões com um lenço de papel para verificar se existem fugas. Se o lenço permanecer seco, significa que a válvula de esfera de três vias está instalada corretamente.



3. Instalação da torneira

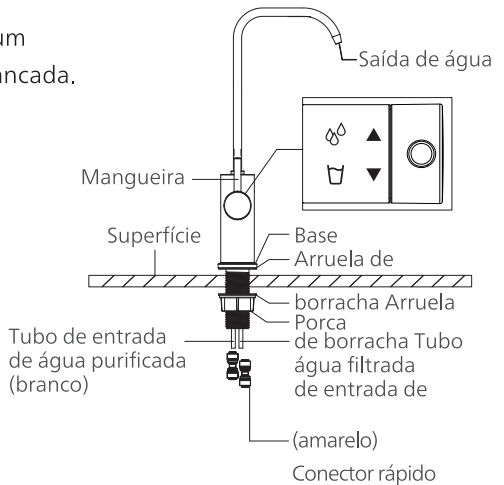
Nota:

Escolha uma posição de instalação adequada. O local onde a torneira é instalada deve cumprir as condições de higiene e sanitárias adequadas.

Certifique-se de que a torneira fica plana sobre a superfície do lava-loiça ou da bancada.

- a. Perfure um orifício com um diâmetro de 26 a 35 mm. Salte este passo se já houver um orifício no lava-loiça ou na superfície da bancada.
- b. Instale a torneira conforme o diagrama. Aperte as porcas da vareta da torneira a esta com força.

Debaixo do lava-loiça ou da bancada, introduza os tubos de entrada da torneira nos conectores rápidos e utilize braçadeiras para os fixar.



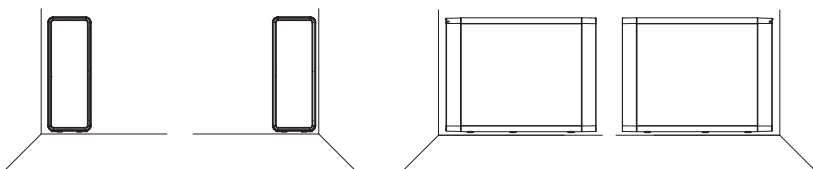
4. Instalação do sistema

Nota:

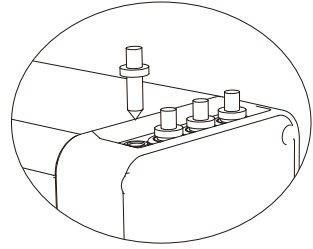
Verifique se existe espaço suficiente para instalar o sistema, os seus acessórios e as suas uniões, e para a manutenção e reparação. O sistema não deve ser instalado no exterior. O local onde o sistema é instalado deve cumprir as condições de higiene e sanitárias adequadas. Evite que líquidos externos de tubagens, esgotos, etc., pinguem para o sistema.

Este sistema deve ser colocado sobre uma superfície estável e plana. Mantenha o sistema afastado do calor. Não deve ser colocado num local que possa ter uma fuga de gás inflamável.

- a. Procure um local adequado para o sistema.



b. Retire as tampas de silicone dos orifícios de entrada e saída de água na parte superior do sistema.



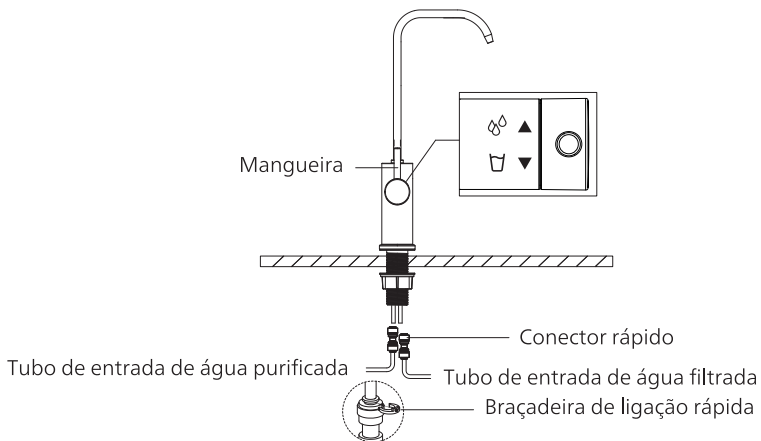
c. Ligue a entrada de água fria à válvula de esfera de três vias.

Meça o comprimento do tubo de 1/4" necessário para ligar o sistema e a válvula de esfera de três vias, e corte-o com um cortador de tubos. Introduza a outra extremidade do tubo de 1/4" que foi ligado à válvula de esfera de três vias no orifício de entrada de água na parte superior do sistema. Utilize uma braçadeira para prender o tubo no orifício.

d. Ligue as saídas de água e a torneira.

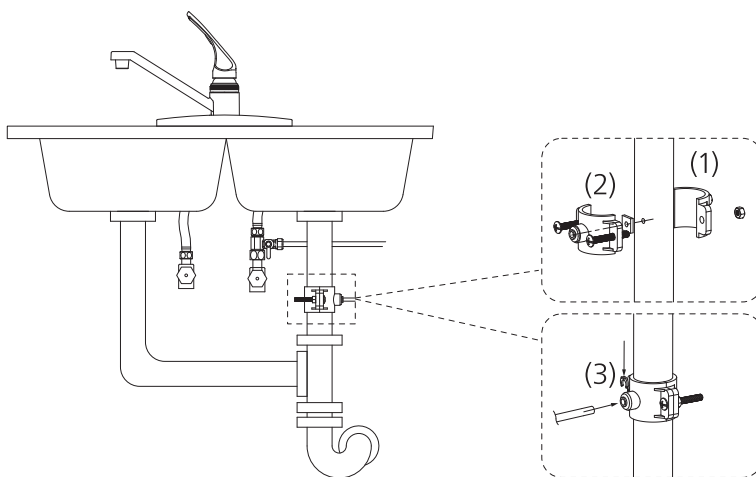
Meça o comprimento do tubo de 1/4" necessário para ligar o sistema e a torneira, corte o tubo de 1/4" com um cortador de tubos. Introduza uma extremidade do tubo no conector rápido que foi ligado ao tubo de entrada de água purificada (branco) da torneira. Introduza a outra extremidade do tubo no orifício de saída da água purificada na parte superior do sistema até ao fundo. Utilize braçadeiras de ligação rápida para prender os tubos.

Corte outro tubo de 1/4" com o cortador de tubos. Introduza uma extremidade do tubo no conector rápido que foi ligado ao tubo de entrada de água filtrada (amarelo) da torneira. Introduza a outra extremidade do tubo no orifício de saída da água filtrada na parte superior do sistema até ao fundo. Utilize braçadeiras de ligação rápida para prender os tubos.



e. Ligue a saída de água de drenagem e o conector de drenagem.

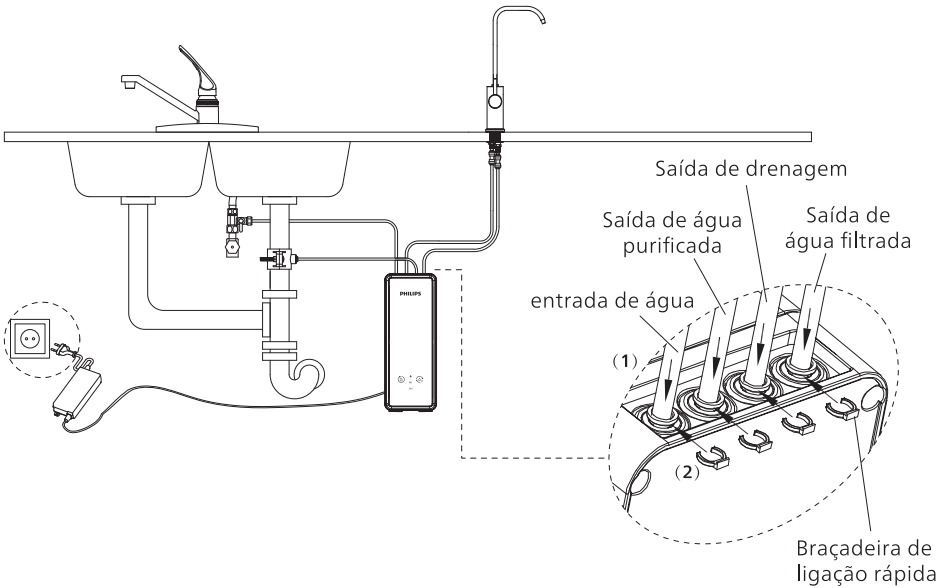
Escolha uma posição adequada no tubo de escoamento para perfurar um orifício de 6,5 mm. Instale o conector de drenagem conforme o diagrama. Aperte bem as porcas. Corte uma secção do tubo de 1/4". Introduza uma extremidade do tubo no orifício de saída do escoamento na parte superior do sistema até ao fundo. Utilize uma braçadeira para prender o tubo no orifício. Introduza a outra extremidade do tubo no conector de drenagem.



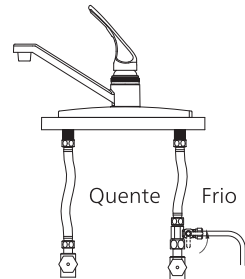
Nota:

- Não instale o conector de escoamento no mesmo tubo de escoamento que o triturador de lixo.
- Não penetre no lado oposto do tubo ao perfurar o orifício.

f. Ligue o adaptador de corrente ao sistema. NÃO coloque a ficha na tomada elétrica ainda.



g. Verifique se o sistema está instalado corretamente, e abra a válvula de esfera de três vias.

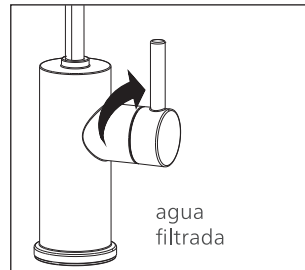
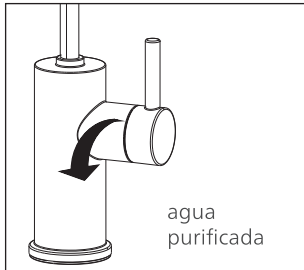


V. Utilização do sistema

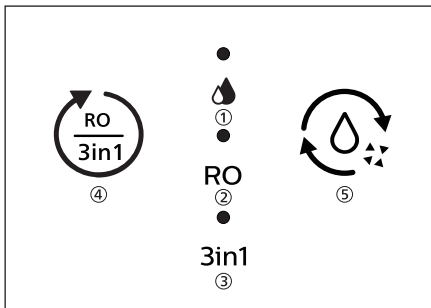
1. Antes da primeira utilização

a. Ligue o sistema à corrente. Ouvirá um sinal sonoro e todos os indicadores acenderão durante 3 segundos. O sistema entrará no modo de lavagem automática. Limpe todas as juntas e uniões com um lenço de papel para verificar se existem fugas. Se o lenço permanecer seco, significa que o sistema está bem instalado. Se não houver outra operação em 10 segundos após a lavagem automática, o sistema entrará em modo de repouso.

b. Uma vez terminada a lavagem automática, abra a água purificada (rode o manípulo da torneira no sentido contrário ao dos ponteiros do relógio) para deixar a água correr durante 15 minutos. Depois disso, feche a torneira durante, pelo menos, 10 segundos e volte a abrir a água purificada durante mais 15 minutos. Isto permite purgar o ar e os finos de carvão através dos filtros. Depois disso, o sistema está pronto e pode começar a desfrutar de água purificada e filtrada.



2. Interface do utilizador



- ① Indicador de estado de funcionamento
- ② Indicador da vida útil do filtro de osmose inversa
- ③ Indicador da vida útil do filtro 3 em 1
- ④ Botão de reinício
- ⑤ Botão de lavagem

a. Indicador de estado de funcionamento:

Estado	Indicador
Funcionamento normal	Luz azul fixa
Lavagem	Luz azul intermitente
Erro	Luz vermelha intermitente
Em repouso	Desligado

b. Indicador da vida útil do filtro

Estado	Indicador	Sinal sonoro
Mais de 14 dias	Luz azul fixa	N/D
Menos de 14 dias	Luz vermelha intermitente	Haverá sinais sonoros durante 6 segundos depois de se abrir a torneira, para lhe lembrar que se deve substituir o filtro.
O filtro chegou ao final da vida útil e deve ser substituído imediatamente	Luz vermelha constante	Haverá sinais sonoros sempre que a torneira estiver aberta, para lhe lembrar que se deve substituir o filtro.

c. Proteção contra excesso de tempo

Se o sistema funcionar continuamente durante 30 minutos, passará para o modo de proteção e desligar-se-á. Entretanto, o indicador do estado de funcionamento pisca a vermelho e ouvem-se 15 sinais sonoros. Desligue o sistema, espere 1 minuto e volte a ligá-lo para resolver o problema.

d. Lavagem automática

- O sistema lava-se automaticamente durante 18 segundos quando é ligado.
- sistema lava-se automaticamente durante 6 segundos quando funcionou durante 5 minutos
- O sistema lava-se automaticamente durante 30 segundos quando esteve em repouso durante 72 horas.

e. Botão de lavagem

Pode lavar manualmente o sistema premindo o botão de lavagem quando este estiver em modo de repouso. Durante a descarga, prima novamente o botão de descarga para parar.

f. Botão de reinício

Para repor a vida útil do filtro, mantenha premido o botão de reinício durante 3 segundos. Ouvirá um sinal sonoro e o indicador da vida útil do filtro de osmose inversa piscará a azul. Volte a premir brevemente o botão "RESET" para selecionar o filtro a repor. Quando o indicador do filtro selecionado piscar, mantenha premido o botão de reinício durante 5 segundos. Ouvirá um sinal sonoro, e o indicador do filtro selecionado aparecerá a azul após piscar duas vezes. Isto significa que a vida útil do filtro foi reposta corretamente.

VI. Manutenção

1. Manutenção de rotina

- Não se deve utilizar um solvente orgânico, como a gasolina, para limpar a carcaça do aparelho. Se for necessário limpar, limpe a superfície do produto com um pano húmido depois de o desligar da corrente elétrica.
- Se o sistema não for utilizado durante mais de 2 dias, abra a água purificada e deixe-a correr durante, pelo menos, 5 minutos para lavar os filtros e o sistema.
- Se o sistema não for utilizado durante um período prolongado (≥ 7 dias), retire os cartuchos do filtro, sele-os com invólucros de plástico e guarde-os no frigorífico (não no congelador).

Rode a válvula de esfera de três vias, abra a água purificada para esvaziar a água, e desligue a corrente elétrica. Antes de voltar a utilizá-lo, abra a água purificada durante, pelo menos, 10 minutos para lavar os filtros e o sistema.

2. Vida útil do filtro

Nota:

Para assegurar o melhor desempenho, substitua o cartucho do filtro de acordo com o seu indicador de vida útil ou o ciclo de substituição sugerido de seguida. Quando se observa uma taxa significativamente baixa, recomenda-se trocar também os filtros.

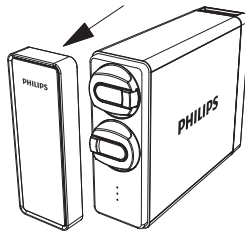
Este sistema só pode funcionar com filtros Philips.

Filtro	Código do modelo	Código do modelo	Vida útil do filtro
Filtro composto 3 em 1	AUT812	AUT4030R400 AUT4030R600	Até 12 meses*
Filtro de osmose inversa	AUT870R400	AUT4030R400	Até 36 meses*
Filtro de osmose inversa	AUT870R600	AUT4030R600	Até 36 meses*

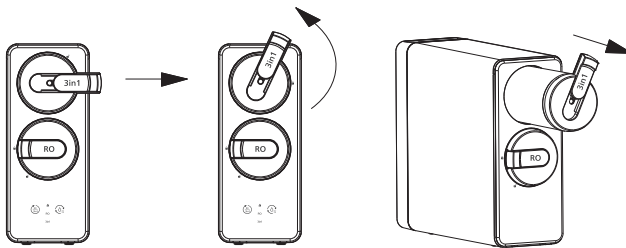
* A vida útil real do cartucho do filtro depende da qualidade da água da torneira local e da utilização diária. O ciclo de substituição recomendado é uma média baseada na diferente qualidade da água da torneira local. Se a qualidade da água da torneira local for inferior à média, a vida útil real do cartucho será diferente do ciclo de substituição recomendado. Se o cartucho do filtro estiver bloqueado, substitua-o.

3. Substituição do cartucho do filtro

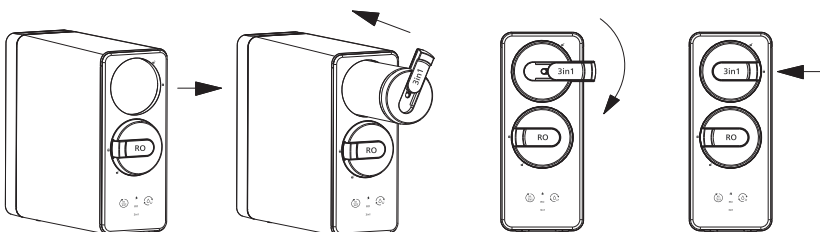
- Desligue a corrente elétrica e a válvula de esfera de três vias antes de substituir os cartuchos do filtro.
- Retire a tampa da frente.



- Puxe a alavanca do filtro a substituir, rode-a no sentido contrário ao dos ponteiros do relógio e retire o filtro.



- Retire a embalagem do novo filtro e introduza-o no sistema (puxe a alavanca do filtro, alinhe a alavanca com o ícone de desbloqueio do sistema e empurre-a até ao final); rode a alavanca no sentido dos ponteiros do relógio até ao final e empurre a alavanca para trás (certifique-se de que a alavanca está alinhada com o ícone de bloqueio do sistema).



- e. Ligue a válvula de esfera de três vias e volte a ligar a corrente elétrica. Se o filtro substituído for o de osmose inversa, abra a água purificada (rode o manípulo da torneira no sentido contrário ao dos ponteiros do relógio) para deixar a água correr durante 15 minutos. Depois disso, feche a torneira durante, pelo menos, 10 segundos e volte a abrir a água purificada durante mais 15 minutos. Se for o filtro 3 em 1, abra a água filtrada e deixe-a correr durante 10 minutos.
- f. Repor a vida útil do filtro conforme o capítulo V.

VII. Precauções

1. Aviso

- Utilize sempre a água da torneira municipal como fonte de água. Não utilize água microbiologicamente insegura ou de qualidade desconhecida sem uma desinfecção adequada antes ou depois do sistema.
- Este sistema não se destina a ser utilizado por pessoas (incluindo crianças) com capacidades físicas, sensoriais ou mentais reduzidas, ou com falta de experiência e conhecimentos, a menos que seja sob a supervisão ou segundo as instruções relativas à utilização do aparelho de uma pessoa responsável pela sua segurança. As crianças devem ser supervisionadas para garantir que não brincam com o sistema.
- Certifique-se de que manuseia o sistema com suavidade e cuidado. Não tente modificar nem reparar o sistema você mesmo, caso contrário, a garantia não será válida.
- Este aparelho destina-se exclusivamente a uma utilização doméstica.
- A temperatura da água de entrada do sistema deve estar entre 5°C e 38°C. Quando a temperatura da água de entrada exceder os 38°C, o filtro pode ser danificado e perder a validade. Se a temperatura da água de entrada for inferior a 5°C, pode provocar o congelamento e a quebra das peças do sistema, o que provocará uma fuga de água.
- Não inverta a ordem de instalação dos cartuchos de filtro para não afetar o desempenho do sistema.
- Se o sistema for anormal ou defeituoso, interrompa imediatamente a sua utilização. Feche a válvula de entrada de água e abra a torneira para esvaziar o sistema. Entre os eventos de falhas incluem-se:
 - Fugas
 - O produto está rachado ou danificado
 - Há um som invulgar ou um cheiro a queimado
 - A ficha ou o cabo de alimentação estão invulgarmente quentes
 - A máquina não funciona

Contacte o serviço de atendimento ao consumidor para uma inspeção imediata.

- Se o sistema não for utilizado durante um longo período, desligue o abastecimento de água e abra a torneira para libertar a pressão interna e evitar danos no sistema.

VIII. Resolução de problemas

Problema	Possíveis causas	Soluções
A água da torneira não chega.	A válvula de água fria ou a válvula de esfera de três vias fecham-se.	Abra as válvulas.
	O sistema não está ligado à corrente elétrica.	Verifique se o adaptador de alimentação está corretamente ligado ao sistema e à tomada elétrica.
O fluxo fica mais lento.	O filtro está bloqueado.	Substitua o filtro.
	A pressão da água de entrada é baixa.	Espere que a pressão da água de entrada estabilize ou instale um reforço de pressão antes do sistema se a pressão da água de entrada é constantemente inferior a 0,1 MPa.
Qualidade da água de saída deficiente.	O filtro chegou ao fim da sua vida útil.	Substitua o filtro.
	O sistema não foi utilizado durante algum tempo.	Abra a água purificada e deixe correr a água durante 5 minutos.
	A qualidade da água de entrada é deficiente.	Utilize sempre a água da torneira municipal como fonte de água. Não utilize água microbiologicamente insegura nem de qualidade desconhecida sem uma desinfecção adequada antes ou depois do sistema.

O indicador de estado de funcionamento acende-se a vermelho e ouvem-se sinais sonoros.	O sistema filtra a água continuamente durante 30 minutos.	Desligue o sistema, espere 1 minuto e volte a ligá-lo para resolver o problema.
Os indicadores de vida útil do filtro não se acendem ao abrir a torneira.	A placa de circuito impresso está danificada.	Contacte o serviço de atendimento ao cliente.
O botão de reinício não funciona.	Não manteve premido o botão para ativar o reinício.	Mantenha premido o botão de reinício durante 3 segundos para selecionar o filtro que se deve reiniciar. Mantenha premido o botão de reinício durante 5 segundos para reiniciar o filtro selecionado.
O botão de descarga não funciona.	O módulo de botões está danificado.	Contacte o serviço de atendimento ao cliente.
Os indicadores não acendem.	O sistema não está ligado à alimentação.	O sistema não está ligado à alimentação. Verifique se o adaptador de corrente está ligado corretamente ao sistema e à tomada elétrica.

IX. Garantia e assistência

Se precisar de informações ou tiver algum problema, visite www.philips.com ou contacte o Centro de Atendimento ao Cliente do seu país. Se não houver um Centro de Atendimento ao Cliente no seu país, contacte um distribuidor local. Durante um período de dois anos a partir da data de compra, receberá um serviço de garantia gratuito para quaisquer danos causados pelo processo de fabrico, ou em componentes em funcionamento normal confirmados pelo nosso serviço de manutenção. O serviço de garantia não inclui os componentes consumíveis de substituição frequente, os aparelhos auxiliares, os custos de transporte e o serviço ao domicílio. Apresente o comprovativo de compra ao pessoal de assistência durante a manutenção.

X. Lista de conteúdo

Sistema (1 peça de filtro 3 em 1 e 1 peça de filtro de osmose inversa incluídas)	1X
Adaptador de corrente com ficha	1X
Válvula de esfera de três vias	1X
Conector rápido	2X
Braçadeira de ligação rápida de 1/4"	8X
Tubo de PE de 1/4".	1X
torneira	1X
Válvula de alívio de pressão	1X
Conector de drenagem	1X
Manual do utilizador	1X

Spis treści

I. Wprowadzenie do produktu 153

II. Specyfikacja produktu 154

III. Przegląd produktu 155
i ilustracja instalacji

IV. Instalacja 156
Przygotowania przed instalacją 157
Instalacja trójdrożnego zaworu kulowego 157
Instalacja baterii 159
Instalacja systemu 159

V. Instrukcja użytkownika 162
Przed pierwszym użyciem 162
Interfejs użytkownika 163

VI. Konserwacja 165
Rutynowa konserwacja 165
Żywotność filtra 165
Wymiana wkładu filtra 166

VII. Środki ostrożności 167
Ostrzeżenie 167

VIII. Rozwiązywanie problemów 168

IX. Gwarancja i serwis 169

X. Zawartość opakowania 170



I. Wprowadzenie do produktu

Gratulujemy zakupu i witamy w firmie Philips! Nasz system filtrowania pod zlewem z odwróconą osmozą zapewnia nie tylko wysoki przepływ filtrowania, dzięki któremu każda kropla wody jest świeżo przefiltrowana, ale także wykorzystuje ultrakompaktową konstrukcję bez zbiornika, która pomoże zaoszczędzić dużo miejsca w kuchni. Membrana odwróconej osmozy ma głęboki poziom filtracji do 0,0001 mikrona, który skutecznie usuwa wirusy, bakterie, metale ciężkie, pestycydy, twardość wody, lotne związki organiczne, chlor i nie tylko, zapewniając świetnie smakującą wodę*.

Przed użyciem urządzenia należy dokładnie przeczytać niniejszą instrukcję obsługi. Zachowaj ją do wykorzystania w przyszłości.

Uwaga:

Woda dostarczana przez systemy odwróconej osmozy ma niską zawartość minerałów. Potrzebne organizmowi człowieka sole mineralne dostarczane są z pożywienia i w mniejszym stopniu z wody, którą pijemy.

* Substancje usuwane lub redukowane przez ten system nie muszą znajdować się w wodzie wszystkich użytkowników.

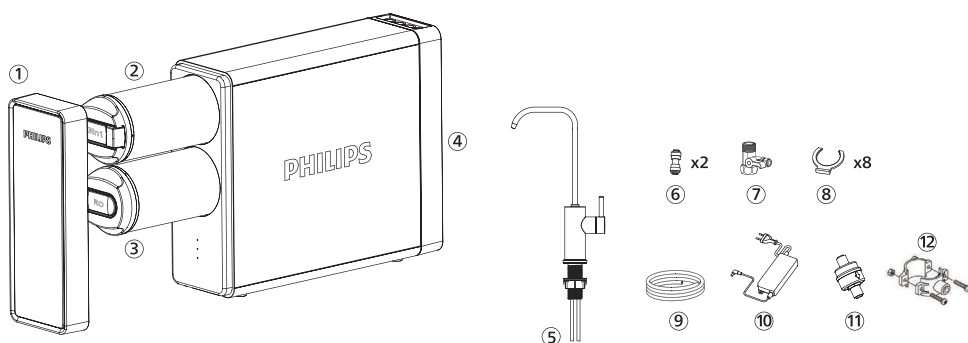
II. Specyfikacja produktu

Nazwa produktu	Podzlewowy system filtracji wody Philips	
Model produktu	AUT4030R400	AUT4030R600
Przepływ wody filtrowanej	2 litry/minutę	
Przepływ wody przefiltrowanej przez filtr RO	1,05 litra/minutę	1,57 litra/minutę
Wydajność filtrowania	Filtr „3 w 1”: 6000 litrów Filtr RO: 11 000 litrów	
Ciśnienie wody na wlocie	0,1–0,4 MPa**	
Temperatura wody na wlocie	5–38°C	
Napięcie znamionowe	110–240 V, 50/60 Hz	
Moc znamionowa	55 W	70 W
Maksymalna wartość TDS wody na wlocie	1500 ppm***	
Maksymalna twardość wody na wlocie	15 °fH***	
Masa netto	6,8 kg	7,5 kg
Wymiary	390*114*303,5 mm	
Odpowiednie źródło wody	Miejska woda wodociągowa, która spełnia wszystkie wymagania europejskiej dyrektywy o wodzie do spożycia przez ludzi 98/83 i jej krajowych transpozycji w różnych krajach członkowskich UE.	

** Gdy ciśnienie wody na wlocie przekracza 0,4 MPa, przed systemem należy zainstalować zawór bezpieczeństwa. Gdy ciśnienie wody na wlocie jest niższe niż 0,1 MPa, przed systemem należy zainstalować wzmacniacz ciśnienia. Zawór bezpieczeństwa znajduje się w torbie z akcesoriami, natomiast wzmacniacz ciśnienia należy zakupić osobno.

*** Jeśli zasolenie wody na wlocie przekracza 1500 ppm lub twardość przekracza 15 °fH, może to mieć wpływ na żywotność filtrów. Należy skonsultować się ze sprzedawcą w sprawie instalacji filtrów wstępnych przed systemem.

III. Przegląd produktu i ilustracja instalacji



- ① Przednia pokrywa
- ② Filtr „3 w 1”
- ③ Filtr RO
- ④ Jednostka główna
- ⑤ Bateria
- ⑥ Szybkozłączka

- ⑦ Trójdrożny zawór kulowy
- ⑧ Zacisk szybkozłączki
- ⑨ Rura PE 1/4" (biała)
- ⑩ Zasilacz
- ⑪ Zawór bezpieczeństwa
- ⑫ Złącze spustowe

IV. Instalacja

- Przed instalacją należy sprawdzić stan systemu, aby upewnić się, że nie został on uszkodzony podczas transportu.
- Rozpakuj system i jego akcesoria. Usuń ochronny materiał opakowaniowy. Do opakowania użyto materiałów nadających się do recyklingu, które należy wyrzucić do odpowiednich pojemników na surowce wtórne lub oddać do lokalnego centrum recyklingu.

Ostrzeżenie: Plastikowe torby należy przechowywać w miejscu niedostępnym dla dzieci, gdyż mogą być niebezpieczne.

- Sprawdź, czy niczego nie brakuje zgodnie ze spisem zawartości opakowania i przeglądem.
- Biorąc pod uwagę, że system poprawi jakość wody pitnej, wszystkie narzędzia, które zostaną użyte podczas instalacji, powinny być czyste oraz wolne od rdzy i smarów.
- Proces instalacji należy przeprowadzić w odpowiednich warunkach higienicznych, zachowując wszelkie niezbędne środki ostrożności dotyczące materiałów i elementów, które będą miały kontakt z wodą przeznaczoną do uzdatniania lub spożycia.
- Należy zapobiec zewnętrznemu zanieczyszczeniu systemu poprzez niewłaściwą obsługę oraz używać rękawic i żelu do dezynfekcji oraz tak często myć ręce, jak to konieczne podczas procesu instalacji, pierwszego użycia i konserwacji systemu.
- System i instalacja powinny być zgodne z obowiązującymi przepisami lokalnymi.
- Tego produktu nie można wyrzucać z innymi odpadami domowymi. Po zakończeniu okresu użytkowania produktu należy go zwrócić do miejsca zakupu lub do lokalnego centrum recyklingu, zaznaczając, że zawiera on elementy elektryczne i elektroniczne. Odpowiedni odbiór i przetwarzanie produktu, który nie jest już używany, przyczynia się do zachowania zasobów naturalnych i pozwala uniknąć potencjalnych zagrożeń dla zdrowia publicznego.

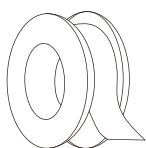


1. Przygotowania przed instalacją

Wybierz odpowiednią pozycję do zainstalowania systemu.

Upewnij się, że w pobliżu miejsca instalacji znajduje się gniazdko elektryczne.

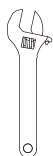
Sprawdź spis zawartości opakowania i upewnij się, że masz wszystkie akcesoria z tego spisu. Przygotuj niezbędne narzędzia do instalacji:



Taśma PTFE



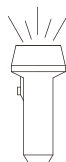
Śrubokręt



Klucz



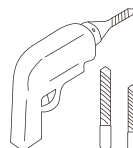
Obcinak do rur



Latarka



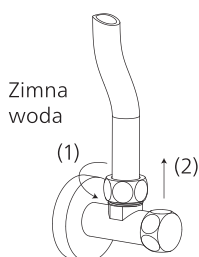
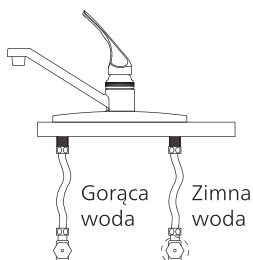
Szmatka



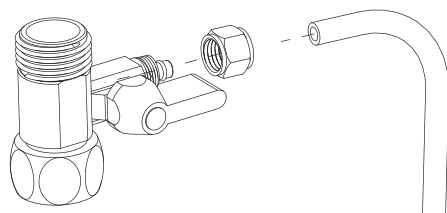
Wiertarka elektryczna

2. Instalacja trójdrożnego zaworu kulowego

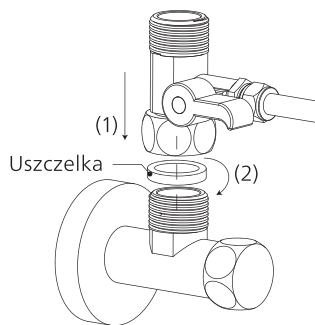
- Zakręć dopływ zimnej wody. Odkręć kran kuchenny z zimną wodą, aby uwolnić ciśnienie i pozwolić wodzie wypłynąć z rur. Odłącz wąż zimnej wody od zaworu zimnej wody.



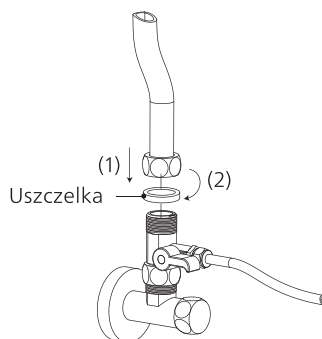
- Nałóż nakrętkę trójdrożnego zaworu kulowego na rurę PE 1/4" i wprowadź rurę do wypukłego złącza trójdrożnego zaworu kulowego. Dokręć nakrętkę kluczem.



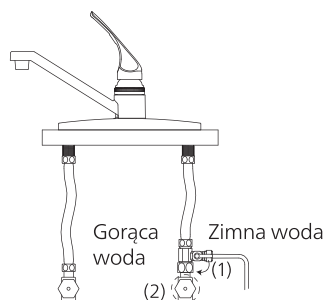
c. Zainstaluj trójdrożny zawór kulowy na zaworze zimnej wody. Podczas instalacji nie zapomnij o uszczelce wewnątrz trójdrożnego zaworu kulowego.



d. Połącz wężyk zimnej wody z trójdrożnym zaworem kulowym i mocno przykręć go kluczem. Podczas instalacji nie zapomnij o uszczelce wewnątrz wężyka zimnej wody.



e. Zakręć trójdrożny zawór kulowy. Odkręć dopływ zimnej wody. Przetrzyj połączenia chusteczką, aby sprawdzić, czy nie ma wycieków. Jeśli chusteczka pozostaje sucha, oznacza to, że zawór trójdrożny jest zainstalowany prawidłowo.



3. Instalacja baterii

Uwaga:

Wybierz odpowiednią pozycję instalacji. W miejscu, w którym instalowana jest bateria, powinny być przestrzegane wszelkie odpowiednie warunki higieniczno-sanitarne.

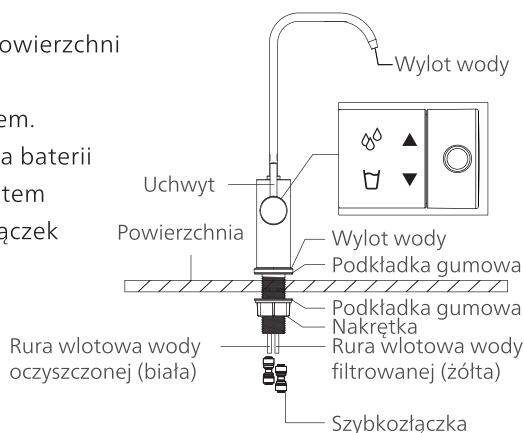
Upewnij się, że bateria jest umieszczona płasko na górze zlewu lub powierzchni blatu.

a. Wywierć otwór o średnicy 26–35 mm.

Pomiń ten krok, jeśli w zlewie lub na powierzchni blatu jest już otwór.

b. Zainstaluj baterię zgodnie ze schematem.

Nakrętki pręta baterii przykręć do pręta baterii i mocno je dokręć. Pod zlewem lub blatem włóż rury wlotowe baterii do szybkozłączek i użyj zacisków do zamocowania rur.



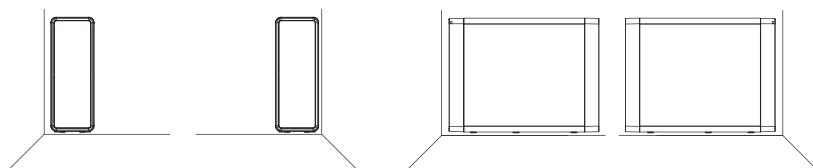
4. Instalacja systemu

Uwaga:

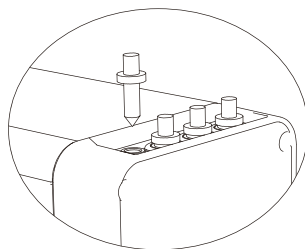
Sprawdź, czy jest wystarczająco dużo miejsca na zainstalowanie samego systemu, jego akcesoriów, przyłączy oraz na serwisowanie i naprawę. W żadnym wypadku nie należy instalować systemu na zewnątrz. W środowisku, w którym zainstalowany jest system, powinny być przestrzegane wszelkie odpowiednie warunki higieniczno-sanitarne. Należy unikać kapania na system cieczy zewnętrznych z rur, odpływów itp.

System powinien być umieszczony na stabilnej i płaskiej powierzchni. System należy trzymać z dala od źródeł ciepła. Nie należy umieszczać go w miejscu, w którym może dojść do wycieku gazu palnego.

a. Znajdź odpowiednie miejsce dla systemu



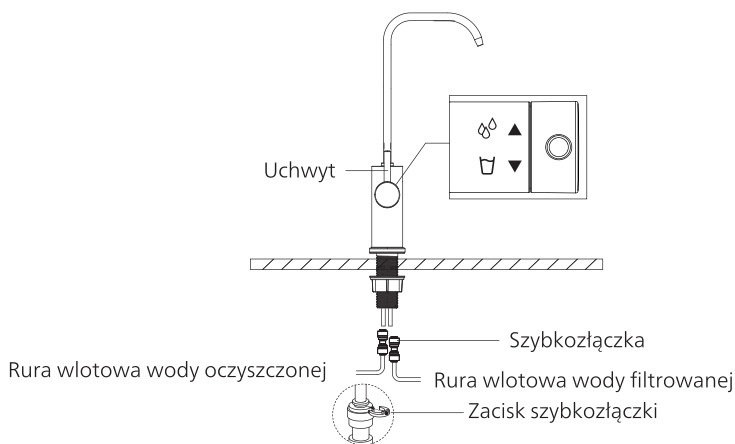
b. Wyciągnij zatyczki silikonowe z otworów wlotowych i wylotowych wody na górze systemu.



c. Połącz wlot wody i trójdrożny zawór kulowy.

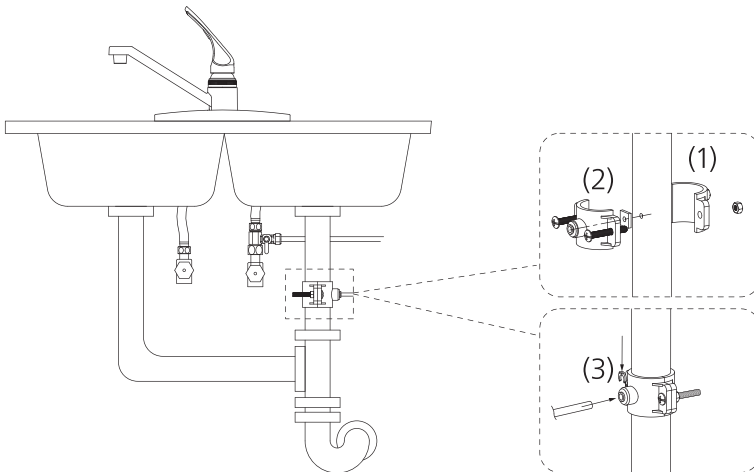
Zmierz długość rury 1/4" potrzebnej do połączenia systemu i trójdrożnego zaworu kulowego, a następnie przytnij ją za pomocą obcinaka do rur. Włóż drugi koniec rury 1/4", która została połączona z trójdrożnym zaworem kulowym, do otworu wlotowego wody w górnej części systemu. Użyj zacisku, aby zamocować rurę przy otworze.

d. Połącz wyloty wody i baterię. Zmierz długość rury 1/4" potrzebnej do połączenia systemu i baterii, a następnie przytnij ją za pomocą obcinaka do rur. Włóż jeden koniec rury do szybkozłączki, która została połączona z rurą wlotową wody oczyszczonej (białą) baterii. Włóż drugi koniec rury do otworu wylotowego wody oczyszczonej w górnej części systemu aż do dołu. Do zamocowania rur użyj zacisków szybkozłączek. Przytnij kolejną rurę 1/4" za pomocą obcinaka do rur. Włóż jeden koniec rury do szybkozłączki, która została połączona z rurą wlotową filtrowanej wody (żółtą) baterii. Włóż drugi koniec rury do otworu wylotowego filtrowanej wody w górnej części systemu aż do dołu. Użyj zacisku, aby zamocować rurę przy otworze.



e. Podłącz wylot wody odpływowej i złącze odpływowe.

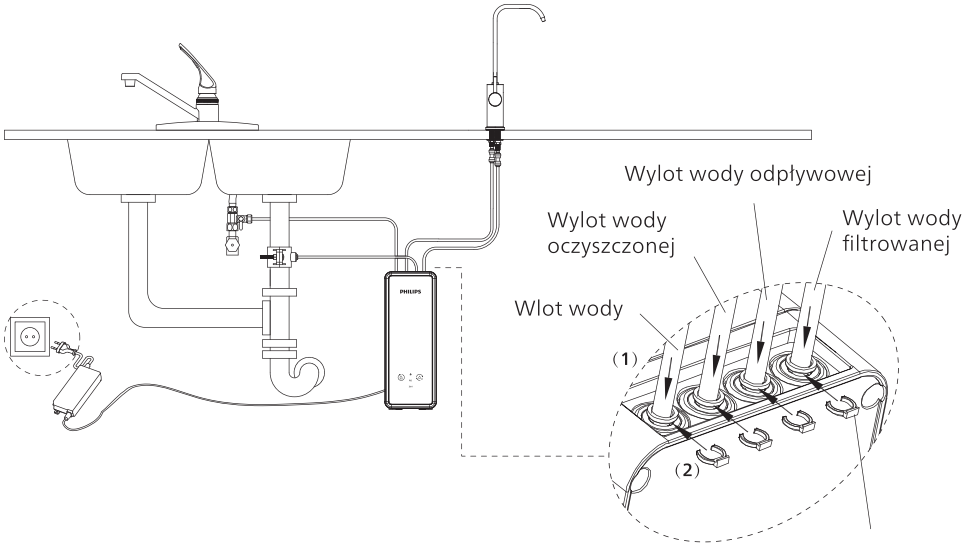
Wybierz odpowiednie miejsce na rurze spustowej, aby wywiercić otwór o średnicy 6,5 mm. Zamocuj złącze odpływowe zgodnie ze schematem. Dokręć mocno nakrętki. Utnij fragment rury 1/4". Włóż koniec rury do otworu wylotowego odpływu w górnej części systemu aż do dołu. Użyj zacisku, aby zamocować rurę przy otworze. Włóż drugi koniec rury do złącza odpływowego.



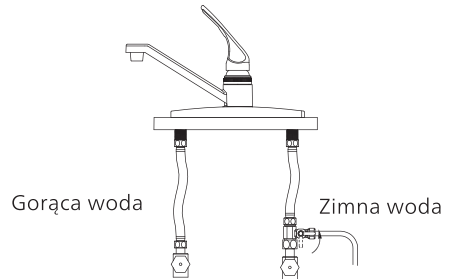
Uwaga

- Nie instaluj złącza odpływowego na tej samej rurze odpływowej, która jest używana do usuwania odpadów.
- Podczas wiercenia otworu nie przewierć przeciwległej strony rury.

f. Podłącz zasilacz do systemu. NIE WKŁADAJ jeszcze wtyczki do gniazdka.



g. Sprawdź, czy system został zainstalowany prawidłowo, i odkręć trójdrożny zawór kulowy.

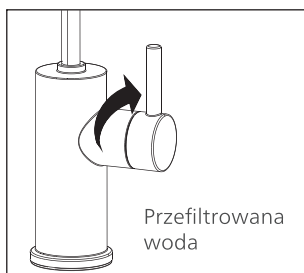
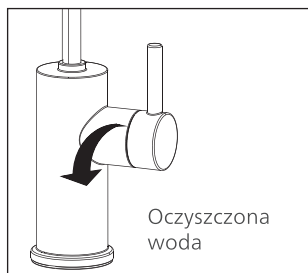


V. Korzystanie z systemu

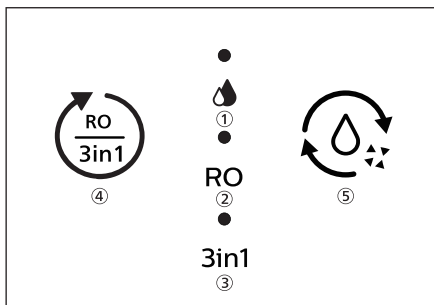
1. Przed pierwszym użyciem

- a. Podłącz system do zasilania. Usłyszysz sygnał dźwiękowy, a wszystkie wskaźniki zaświecą się na 3 sekundy. System przejdzie w tryb automatycznego przepłukiwania. Przetrzyj wszystkie złącza i połączenia chusteczką, aby sprawdzić, czy nie ma wycieków. Jeśli chusteczka pozostaje sucha, oznacza to, że system jest zainstalowany prawidłowo. Jeżeli w ciągu 10 sekund po wykonaniu automatycznego przepłukiwania nie zostanie wykonana żadna czynność, system przejdzie w tryb gotowości.

b. Po zakończeniu automatycznego przepłukiwania odkręć wodę oczyszczoną (obróć uchwyt baterii w lewo), aby umożliwić przepływ wody przez 15 minut. Po tym czasie zakręć baterię na co najmniej 10 sekund, a następnie ponownie odkręć oczyszczoną wodę na kolejne 15 minut, co umożliwi wypłukanie powietrza i drobinek węgla z filtrów. Po tym czasie system jest gotowy i można zacząć cieszyć się zarówno oczyszczoną, jak i przefiltrowaną wodą.



2. Interfejs użytkownika



- ① Wskaźnik stanu pracy
- ② Wskaźnik żywotności filtra RO
- ③ Wskaźnik żywotności filtra „3 w 1”
- ④ Przycisk resetowania
- ⑤ Przycisk przepłukiwania

a. Wskaźnik stanu pracy:

Stan	Wskaźnik
Normalny tryb pracy	Stałe światło niebieskie
Przepłukiwanie	Migające światło niebieskie
Błąd	Migające światło czerwone
Gotowość	Wyłączony

b. Wskaźnik żywotności filtra

Stan	Wskaźnik	Alarm dźwiękowy
Ponad 14 dni	Stałe światło niebieskie	Nie dotyczy
Mniej niż 14 dni	Migające światło czerwone	Po odkręceniu baterii przez 6 sekund będą emitowane sygnały dźwiękowe przypominające o konieczności wymiany filtra.
Filtr osiągnął kres żywotności i należy go niezwłocznie wymienić.	Stałe światło czerwone	Po każdym odkręceniu baterii będą emitowane sygnały dźwiękowe przypominające o konieczności wymiany filtra.

c. Ochrona przed zbyt długim czasem pracy

Jeśli system będzie pracować nieprzerwanie przez 30 minut, przejdzie w tryb ochrony i wyłączy się. Wskaźnik stanu operacji będzie migać na czerwono i system wyemituje 15 sygnałów dźwiękowych. Odłącz system od zasilania, odczekaj 1 minutę i podłącz go ponownie, aby rozwiązać problem.

d. Automatyczne przepłukiwanie

- System przepłukuje się automatycznie przez 18 sekund po włączeniu zasilania.
- System przepłukuje się automatycznie przez 6 sekund, gdy pracuje przez 5 minut.
- System przepłukuje się automatycznie przez 30 sekund, gdy znajduje się w trybie gotowości przez 72 godziny.

e. Przycisk przepłukiwania

System można przepłukać ręcznie, naciskając przycisk przepłukiwania, gdy system jest w trybie gotowości. Podczas przepłukiwania należy ponownie nacisnąć przycisk przepłukiwania, aby je zatrzymać.

f. Przycisk resetowania

Aby zresetować żywotność filtra, naciśnij i przytrzymaj przycisk resetowania przez 3 sekundy. Usłyszysz sygnał dźwiękowy, a wskaźnik żywotności filtra RO będzie migał na niebiesko. Krótco naciśnij ponownie przycisk resetowania, aby wybrać filtr, który wymaga zresetowania. Gdy wskaźnik wybranego filtra zacznie migać, naciśnij i przytrzymaj przycisk resetowania przez 5 sekund. Usłyszysz sygnał dźwiękowy, a wskaźnik wybranego filtra po dwukrotnym mignięciu będzie świecił stałym niebieskim światłem. Oznacza to, że żywotność filtra została zresetowana pomyślnie.

VI. Konserwacja

1. Rutynowa konserwacja

- Do wycierania obudowy urządzenia nie wolno używać rozpuszczalnika organicznego, np. benzyny. Jeśli wymagane jest czyszczenie, należy delikatnie przetrzeć powierzchnię produktu wilgotną szmatką po odłączeniu od zasilania
- Jeśli system nie jest używany przez ponad 2 dni, należy odkręcić oczyszczoną wodę i pozwolić jej płynąć przez co najmniej 5 minut, aby przepłukać filtry i system.
- Jeśli system nie będzie używany przez dłuższy czas (powyżej 7 dni), wyjmij wkłady filtra, owiń je folią i umieść w lodówce (nie w zamrażarce).
Zakręć trójdrożny zawór kulowy, odkręć oczyszczoną wodę w celu opróżnienia systemu i wyłącz zasilanie. Przed ponownym użyciem odkręć oczyszczoną wodę na co najmniej 10 minut, aby przepłukać filtry i system.

2. Żywotność filtra

Uwaga:

Aby zapewnić najlepszą wydajność, wkład filtra należy wymieniać zgodnie ze wskaźnikiem żywotności filtra lub poniższym sugerowanym cyklem wymiany. W przypadku zaobserwowania znacznie niższego przepływu również zalecamy wymianę filtrów.

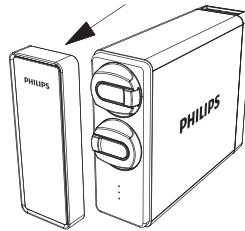
Ten system może działać tylko z filtrami Philips.

Filtr	Kod modelu filtra	Kod modelu systemu	Żywotność filtra
Filtr złożony „3 w 1”	AUT812	AUT4030R400 AUT4030R600	Do 12 miesięcy
Filtr RO	AUT870R400	AUT4030R400	Do 36 miesięcy*
Filtr RO	AUT870R600	AUT4030R600	Do 36 miesięcy*

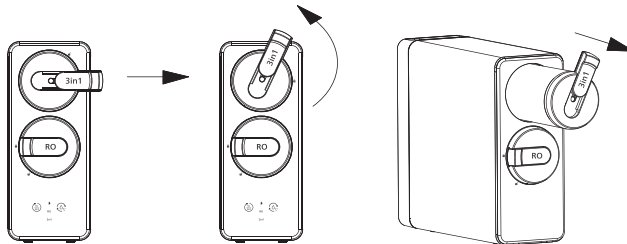
* Rzeczywista żywotność wkładu filtra zależy od jakości lokalnej wody wodociągowej i codziennego użytkowania. Zalecany cykl wymiany to średnia oparta na różnej jakości lokalnej wody wodociągowej. Jeśli jakość lokalnej wody wodociągowej jest poniżej średniej, rzeczywisty czas użytkowania wkładu będzie się różnił od zalecanego cyklu wymiany. Jeśli wkład filtra jest zablokowany, należy go wymienić.

3. Wymiana wkładu filtra

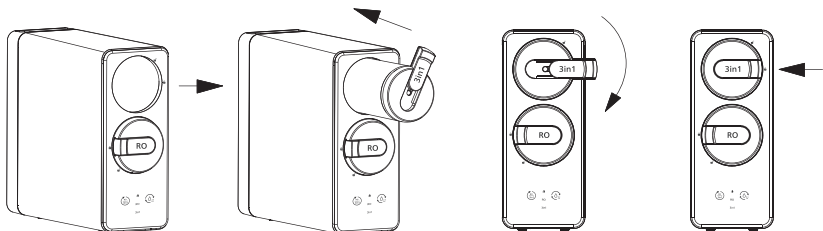
- Przed wymianą wkładów filtra należy wyłączyć zasilanie i zakręcić trójdrożny zawór kulowy.
- Zdejmij przednią pokrywę.



- Wyciągnij dźwignię filtra, który należy wymienić, obróć ją w lewo i wyjmij filtr



- Rozpakuj nowy filtr i włóż go do systemu (wyciągnij dźwignię filtra, ustaw dźwignię w jednej linii z symbolem odblokowania na systemie i wciśnij filtr do końca); obróć dźwignię w prawo do końca i wciśnij z powrotem (upewnij się, że dźwignia jest ustawiona w jednej linii z symbolem zablokowania na systemie)



e. Odkręć trójdrożny zawór kulowy i ponownie podłącz zasilanie. Jeśli wymienianym filtrem jest filtr RO, odkręć oczyszczoną wodę (obrót uchwyt baterii w lewo), aby umożliwić przepływ wody przez 15 minut. Po tym czasie zakręć baterię na co najmniej 10 sekund, a następnie ponownie odkręć oczyszczoną wodę na kolejne 15 minut. Jeśli jest to filtr „3 w 1”, odkręć filtrowaną wodę i pozwól wodzie płynąć przez 10 minut.

f. Zresetuj żywotność filtra zgodnie z rozdziałem V.

VII. Środki ostrożności

1. Ostrzeżenie

- Jako źródła wody należy zawsze stosować miejską wodę wodociągową. Nie należy używać wody, która jest mikrobiologicznie niebezpieczna lub o nieznannej jakości bez odpowiedniej dezynfekcji przed lub za systemem.
- System ten nie jest przeznaczony do użytku przez osoby (w tym dzieci) o ograniczonych zdolnościach fizycznych, sensorycznych lub umysłowych ani nieposiadające doświadczenia i wiedzy, chyba że są one pod nadzorem lub otrzymały instrukcje dotyczące użytkowania urządzenia od osoby odpowiedzialnej za ich bezpieczeństwo. Należy pilnować, aby dzieci nie bawiły się systemem.
- Należy pamiętać, aby obchodzić się z systemem delikatnie i ostrożnie. Nie należy podejmować prób samodzielnej modyfikacji lub naprawy systemu, w przeciwnym razie gwarancja traci ważność.
- To urządzenie jest przeznaczone wyłącznie do użytku domowego.
- Temperatura wody na wejściu do systemu powinna mieścić się w granicach 5–38C. Gdy temperatura wody wlotowej przekracza 38C, filtr może ulec uszkodzeniu i przestać działać. Jeśli temperatura wody wlotowej jest niższa niż 5C, może to spowodować zamarznięcie i pęknięcie części systemu, co spowoduje wyciek wody.
- Nie należy odwracać kolejności instalacji wkładów filtra, aby nie wpływać na skuteczność filtrowania przez system.
- Jeśli system działa nieprawidłowo lub jest wadliwy, należy natychmiast zaprzestać jego używania. Należy wtedy zakręcić zawór wody wlotowej i odkręcić baterię, aby opróżnić system.

Przykłady usterek:

- Wyciek
- Produkt jest pęknięty lub uszkodzony
- Pojawia się nietypowy dźwięk lub zapach spalenizny
- Wtyczka lub przewód zasilający są nienormalnie gorące
- Urządzenie nie działa

Natychmiast skontaktuj się z działem obsługi klienta w celu przeprowadzenia kontroli.

- Jeśli system nie jest używany przez dłuższy czas, zakręć dopływ wody i odkręć baterię, aby uwolnić wewnętrzne ciśnienie i uniknąć uszkodzenia systemu.

VIII. Rozwiązywanie problemów

Problem	Możliwe przyczyny	Rozwiązania
Z baterii nie wypływa woda.	Zawór zimnej wody lub trójdrożny zawór kulowy jest zakręcony.	Odkręć zawory.
	System nie jest podłączony do zasilania.	Sprawdź, czy zasilacz jest prawidłowo podłączony do systemu i gniazdka elektrycznego.
Przepływ staje się wolniejszy.	Filtr jest zablokowany.	Wymień filtr.
	Ciśnienie wody na wlocie jest niskie.	Poczekaj, aż ciśnienie wody na wlocie ustabilizuje się, lub zainstaluj przed systemem wzmacniacz ciśnienia, jeśli ciśnienie wody na wlocie jest stale niższe niż 0,1 MPa.
Niska jakość wody wylotowej.	Filtr osiągnął koniec żywotności.	Wymień filtr.
	System nie był używany przez jakiś czas.	Odkręć oczyszczoną wodę i pozwól jej płynąć przez 5 minut.
	Jakość wody na wlocie jest niska.	Jako źródła wody należy zawsze stosować mięjską wodę wodociągową. Nie należy używać wody, która jest mikrobiologicznie niebezpieczna lub o nieznannej jakości bez odpowiedniej dezynfekcji przed lub za systemem.

Wskaźnik stanu pracy świeci się na czerwono i słychać sygnały dźwiękowe.	System filtrował wodę nieprzerwanie przez 30 minut.	Odłącz system od zasilania, odczekaj 1 minutę i podłącz go ponownie, aby rozwiązać problem.
Wskaźniki żywotności filtra nie zapalają się po odkręceniu baterii.	Płytki PCB jest uszkodzona.	Skontaktuj się z obsługą klienta.
Przycisk resetowania nie działa.	Przycisk nie był wciśnięty na tyle długo, aby uruchomić resetowanie.	Naciśnij i przytrzymaj przycisk resetowania przez 3 sekundy, aby wybrać filtr wymagający zresetowania. Naciśnij i przytrzymaj przycisk resetowania przez 5 sekund, aby zresetować wybrany filtr.
Przycisk przepłukiwania nie działa.	Moduł przycisku jest uszkodzony.	Skontaktuj się z obsługą klienta.
Wskaźniki nie świecą się.	System nie jest podłączony do zasilania.	Sprawdź, czy zasilacz jest prawidłowo podłączony do systemu i gniazdka elektrycznego.

IX. Gwarancja i serwis

Jeśli potrzebujesz informacji lub masz jakiegokolwiek problemy, odwiedź stronę www.philips.com albo skontaktuj się z centrum obsługi konsumenta w swoim kraju. Jeśli w Twoim kraju nie ma centrum obsługi klienta, udaj się do lokalnego sprzedawcy. W ciągu dwóch lat od daty zakupu otrzymasz bezpłatny serwis gwarancyjny dla wszelkich uszkodzeń powstałych w procesie produkcyjnym lub podczas normalnej eksploatacji komponentów, które zostały potwierdzone przez nasz serwis. Serwis gwarancyjny nie obejmuje często wymienianych elementów eksploatacyjnych, urządzeń pomocniczych, opłat za transport oraz serwisu od drzwi do drzwi. Prosimy o okazanie dowodu zakupu pracownikom serwisu podczas konserwacji.

X. Zawartość opakowania

System (1 filtr „3 w 1” i 1 filtr RO w zestawie)	1X
Zasilacz z wtyczką	1X
Trójdrożny zawór kulowy	1X
Szybkozłączka	2X
Zacisk szybkozłączki 1/4”	8X
Rura PE 1/4”	1X
Bateria	1X
Zawór bezpieczeństwa	1X
Złącze spustowe	1X
Instrukcja obsługi	1X

Zachowaj niniejszą instrukcję do użytku w przyszłości.
Informacje zawarte w niniejszej instrukcji obsługi mogą ulec zmianie bez wcześniejszego powiadomienia użytkowników.



Specifications are subject to change without notice
www.philips.com/water

© 2023 AquaShield

All rights reserved.

Philips and the Philips Shield Emblem are registered trademarks of Koninklijke Philips N.V. and are used under license.

This product has been manufactured by and is sold under the responsibility of Hong Kong AquaShield Health Technology Company Limited and Hong Kong AquaShield Health Technology Company Limited is the warrantor in relation to this product.

Rev B JUN 23

